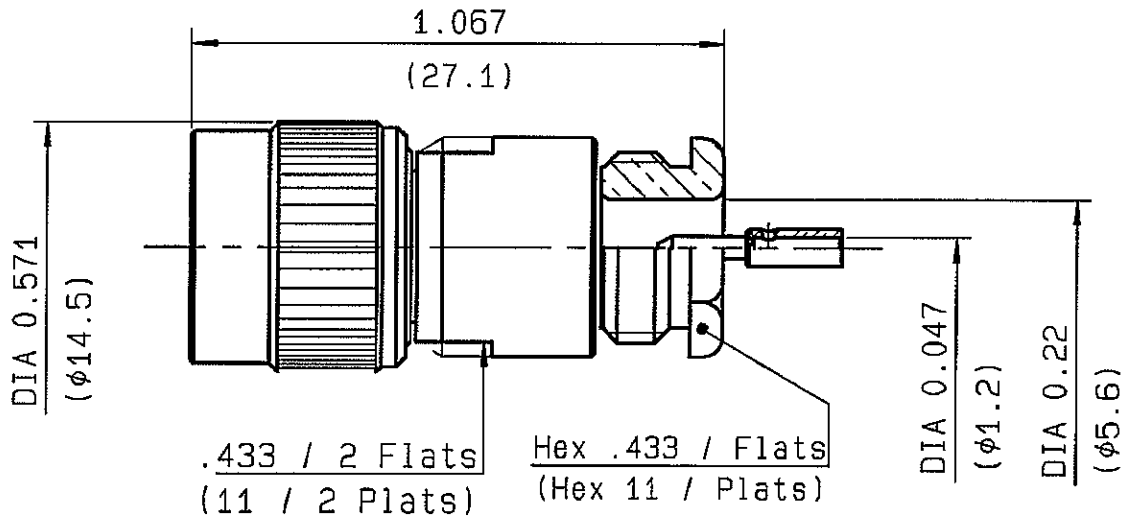


**STRAIGHT PLUG CLAMP TYPE
CABLE 5/50 S+D**

R143.008.000
SERIES TNC



NOMINAL IMPEDANCE	50 Ω
FREQUENCY RANGE	0-11 GHz
TEMPERATURE RATING	-65/+165 °C
V.S.W.R	*1.30 + 0 x F(GHz)Max:
RF INSERTION LOSS	0.06 \sqrt{F} (GHz) dB Max:
VOLTAGE RATING	500 Veff Max:
DIELECTRIC WITHSTANDING VOLTAGE	1500 Veff Mini
INSULATION RESISTANCE	5000 M Ω Mini
HERMETIC SEAL	NA Atm.cm ³ /s
LEAKAGE (pressurized only)	NA
MECHANICAL DURABILITY	500 Cycles
WEIGHT	17.60 gr
SPECIFICATION	405 1916 439 305 DMS 795250

CABLES : KX 15	RG 142 FTX
KX 23	RG 223
RG 141	RG 400
RG 142	RG 58

OTHERS CHARACTERISTICS
*1.30 for frequency band: DC-6GHz
1.60 for frequency band: 7-11GHz

CABLE RETENTION	180 N Mini
CENTER CONTACT RETENTION	
Axial force - mating end	NA N Mini
Axial force - opposite end	NA N Mini
Torque	NA cm.N Mini
RECOMMENDED TORQUES	
Mating	NA cm.N
Panel nut	NA cm.N
Clamp nut	450 cm.N

CONNECTOR PARTS	MATERIALS	FINISH	(all values are given) in micrometers
BODY	BRASS	NICKEL 2	
OUTER CONTACT			
CENTER CONTACT	BRASS	GOLD 0.5 OVER NICKEL 2	
INSULATOR	PTFE	-	
GASKET	BLACK FLUOROCARBON	-	
OTHERS PIECES	BRASS	NICKEL 2	

ISSUE	CREATION DATE	FILE PART-NUMBER
0534B00	19/11/1990	



The information given here is subject to change without notice.
Design changes may be in order to improve the product .

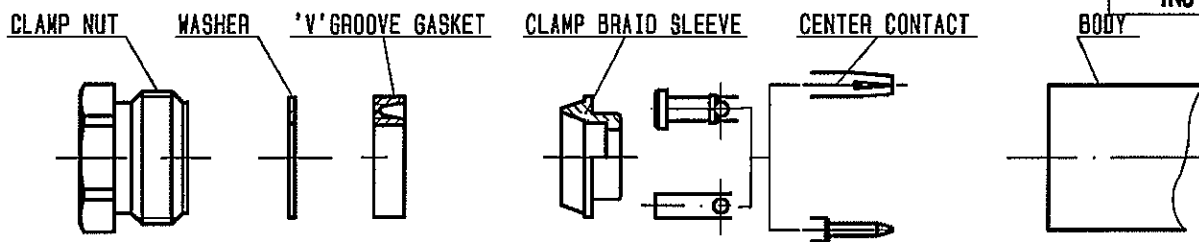
Connect to the future

LELEU



R143.008.000

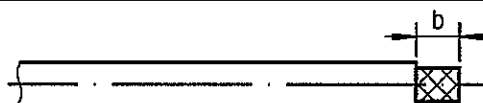
ISSUE 0534 B00 SERIES TNC



①

Strip the cable .

-
-
-
-

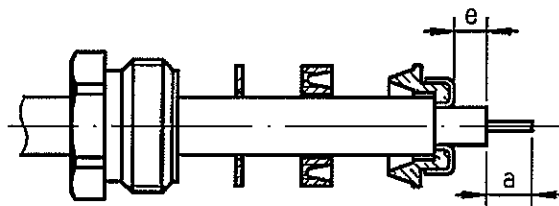


Stripping	a	b	c	d	e
inch	0.098	0.197	0	0	0.059
mm	2.5	5			1.5

②

Slide clamp nut, washer and 'V'groove gasket onto cable .
Slide clamp braid sleeve over braid .
Fold braid back and trim off extra braid.
Trim dielectric back as shown .

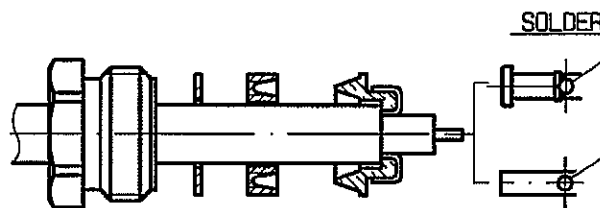
-



③

Solder the center contact onto cable center conductor.

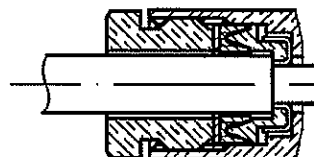
-
-
-
-
-



④

Screw sub-assembly into the connector body .
(recommended coupling torque 450N.cm)
39.82in.lb

-
-



Hex. : 11 mm /flats
Hex. : 0.433inch /flats

LELEU