

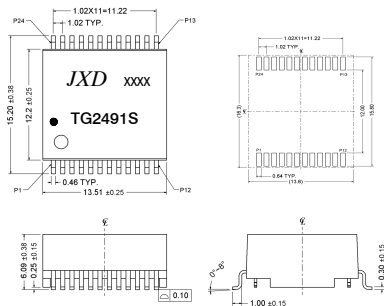
# TG2491S

## 10G Single Port Transformer Module

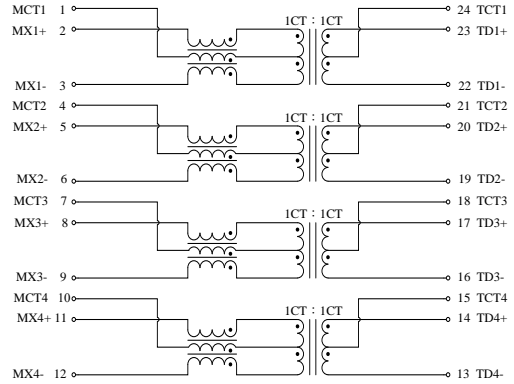
1. Designed for long haul 10G Single Port Transformer Module
2. Supports four pairs of category 5 UTP cable, Cable interface for isolation and low common mode emission .
- 3 . Low profile Surface Mount Packaging designed for Hi-Temp Reflow Process
4. Compliant with IEEE 802.3an standard for 10G Base-Z, Designed to support 1:1 Turns Ratio Transceivers.



### DIMENSIONS & SCHEMATICS



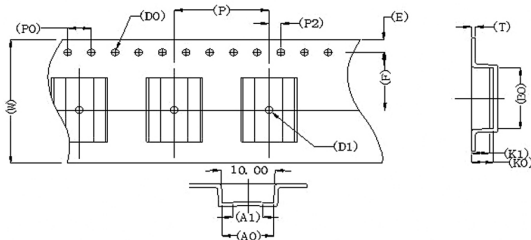
- Notes:**
1. Dimension: mm
  2. Unless otherwise specified, all tolerances are: ±0.15mm



### TECHNICAL SPECIFICATIONS

OCL :	160 $\mu$ H Min. @ 100 KHz, 100mV with 8mA DC Bias
Leakage Inductance:	0.50 $\mu$ H Max. @ 100KHz, 0.1V
DCR:	1.20 $\Omega$ Max
Turns Ratio( $\pm$ 5%):	1CT:1CT(TX), 1CT:1CT(RX)
Insertion Loss:	-0.55dB Max. @ 1MHz -0.55dB Max. @ 5MHz -0.77dB Max. @ 200MHz -1.41 dB Max. @400MHz
Return Loss:	-20dBMin.@1MHz -20dBMin.@100MHz -18dBMin.@200MHz -15dBMin.@300MHz -10dBMin.@400MHz -8dBMin.@500MHz
Cross Talk:	-34dB Min.@1MHz -23 dB Min.@ 350 MHz -23 dB Min.@ 500 MHz
Common Mode Rejection :	-30 dB Min.@ 1-100 MHz -25 dB Min.@ 100-300 MHz -20 dB Min.@ 300-500 MHz
Isolation HI-POT:	1500Vrms 1mA 60Second or 1800VAC 1mA 1S
Storage temperature range:	-40 C ~ +85 C
Operating Temperature range:	-40 C ~ +125 C

### PACKING SPECIFICATION



1. units/reel:500PCS
- 2 reel/carton:5PCS
- 3.units/carton :2500PCS

