

# Customer Information Sheet

DRAWING No.: M80-753XXXX

SHEET 2 OF 2

IF IN DOUBT - ASK

Ⓢ

NOT TO SCALE

THIRD ANGLE PROJECTION

ALL DIMENSIONS IN mm

**SPECIFICATIONS:**

**MATERIAL:**  
 MOULDING = POLYAMIDE 46 UL94V-0, BLACK  
 CONTACTS = PHOSPHOR BRONZE  
 LATCHES = BERYLLIUM COPPER

**FINISH:**  
**CONTACTS:**  
 (ALL CONTACT FINISHES ARE OVER NICKEL)  
 22 = 0.75µ GOLD ON CONTACT AREA,  
 3.0µ 90/10 TIN/LEAD ON TAILS,  
 42 = 0.75µ GOLD ON CONTACT AREA,  
 3.0µ 100% TIN ON TAILS,  
 45 = 0.75µ GOLD

LATCHES = 1.25µ NICKEL

**ELECTRICAL:**  
 CURRENT RATING (25°C) = 3.0A MAX.  
 CURRENT RATING (85°C) = 2.2A MAX.  
 WORKING VOLTAGE = 800V AC/DC  
 VOLTAGE PROOF = 1200V AC/DC

**CONTACT RESISTANCE:**  
 INITIAL = 20 mΩ MAX.  
 AFTER CONDITIONING = 25 mΩ MAX.

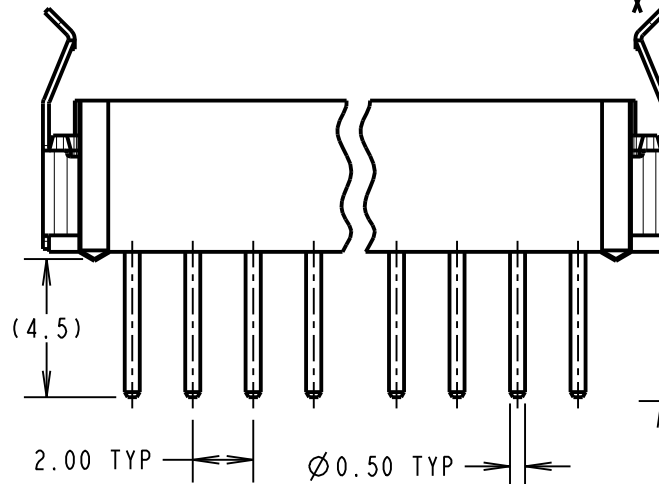
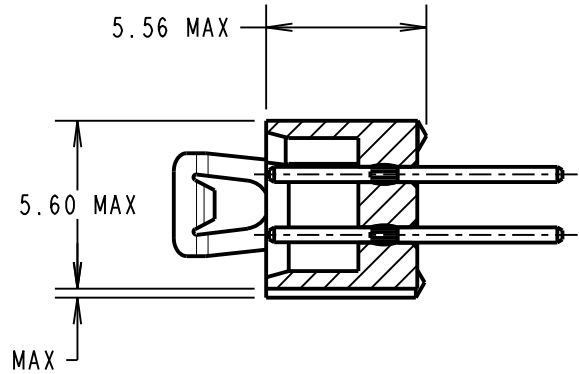
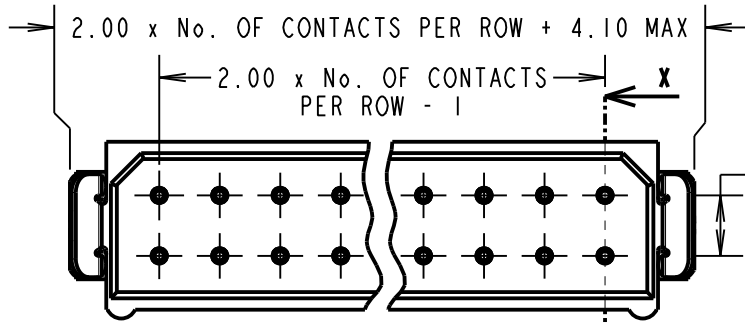
**INSULATION RESISTANCE:**  
 INITIAL = 1000 MΩ MIN.  
 AFTER CONDITIONING = 100 MΩ MIN.

**MECHANICAL:**  
 DURABILITY = 500 OPERATIONS

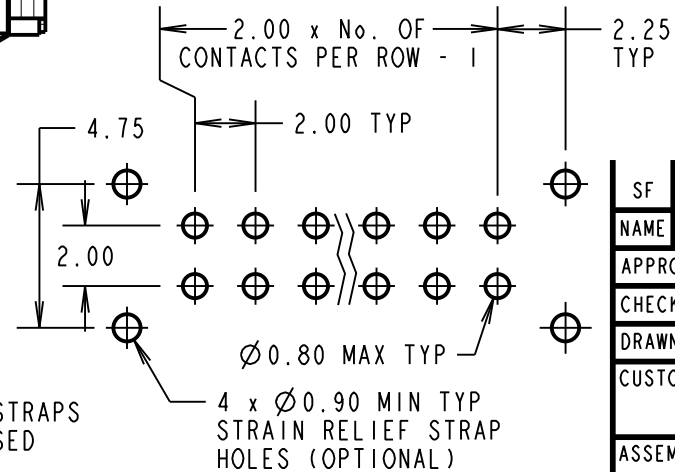
**ENVIRONMENTAL:**  
 TEMPERATURE RANGE = -55°C TO +125°C

**PACKING:**  
 TUBE

FOR COMPLETE SPECIFICATION, SEE COMPONENT SPECIFICATION C005XX (LATEST ISSUE)



**RECOMMENDED PCB LAYOUT**



**NOTES:**  
 1. 2-OFF STRAIN RELIEF STRAPS  
 M80-0030006 MAY BE USED  
 WITH THIS CONNECTOR

4 x Ø0.90 MIN TYP  
 STRAIN RELIEF STRAP  
 HOLES (OPTIONAL)

ORDER CODE: **M80-753XXXX**

TOTAL No. OF CONTACTS: \_\_\_\_\_  
 04, 06, 08, 10, 12, 14,  
 16, 18, 20, 26, 34, 44

FINISH: \_\_\_\_\_  
 22 - GOLD ON CONTACT AREA  
 TIN/LEAD ON TAILS  
 42 - GOLD ON CONTACT AREA  
 100% TIN ON TAILS  
 45 - GOLD

SF	4	01.05.14	12457
NAME	ISS.	DATE	C/NOTE
APPROVED:		S.FLOWER	
CHECKED:		M.PLESTED	
DRAWN:		JM BROOKES	
CUSTOMER REF.:			
ASSEMBLY DRG:			

# HARWIN

www.harwin.com  
 technical@harwin.com

THIS DRAWING AND ANY INFORMATION OR DESCRIPTIVE MATTER SET OUT HEREON ARE CONFIDENTIAL AND COPYRIGHT PROPERTY OF THE HARWIN GROUP AND MUST NOT BE DISCLOSED, LOANED, COPIED OR USED FOR MANUFACTURING, TENDERING OR FOR ANY OTHER PURPOSE WITHOUT THEIR WRITTEN PERMISSION.

**TOLERANCES**  
 X. = ±1mm  
 X.X = ±0.25mm  
 X.XX = ±0.10mm  
 X.XXX = ±0.01mm  
 ANGLES = ±5°  
 UNLESS STATED

**MATERIAL:** SEE ABOVE  
**FINISH:** SEE ABOVE  
**S/AREA:** mm<sup>2</sup>

**TITLE:** DATAMATE DIL VERTICAL MALE PC TAIL ASSEMBLY - LATCHED  
**DRAWING NUMBER:** M80-753XXXX

SHT 2 OF 2

# Mouser Electronics

Authorized Distributor

Click to View Pricing, Inventory, Delivery & Lifecycle Information:

[Harwin:](#)

[M80-7530442](#) [M80-7530642](#) [M80-7530842](#) [M80-7531042](#) [M80-7531242](#) [M80-7531442](#) [M80-7531642](#) [M80-7531842](#) [M80-7532042](#) [M80-7532642](#) [M80-7533442](#) [M80-7534442](#)