

# RC-0000000H000 - Panel mounting base



1592833

<https://www.phoenixcontact.com/us/products/1592833>

Please be informed that the data shown in this PDF document is generated from our online catalog. Please find the complete data in the user documentation. Our general terms of use for downloads are valid.



Panel mounting base, series: RC, straight, Screw locking mechanism, M23, Axial O-ring, Central fastening M25 x 1.5, shielded: yes, panel thickness min.: 0.8 mm, panel thickness max.: 6.5 mm, Alternative product in accordance with RoHS II without Exemption 6c (Pb < 0.1 %) item no.: 1240287

## Commercial data

Item number	1592833
Packing unit	24 pc
Minimum order quantity	1 pc
Sales key	AB31
Product key	ABRAFS
GTIN	4046356193016
Weight per piece (including packing)	54.94 g
Weight per piece (excluding packing)	54.94 g
Customs tariff number	85366990
Country of origin	DE

# RC-0000000H000 - Panel mounting base



1592833

<https://www.phoenixcontact.com/us/products/1592833>

## Technical data

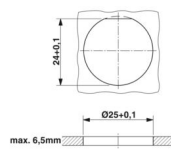
### Product properties

Product type	Panel mounting base
Series	RC
Application	Signal
Shielded	yes
Thread type	M23

### Data management status

Article revision	02
------------------	----

### Dimensions

Dimensional drawing	
Panel thickness	0.8 mm ... 6.5 mm

### Material specifications

Housing material	Metal
Housing material	Turned parts: copper zinc alloy (CuZn), die-cast parts: zinc (GD-Zn)
Gasket and O-ring material	FPM

### Connector

Type	straight
------	----------

### Environmental and real-life conditions

#### Ambient conditions

Degree of protection	IP67
Ambient temperature (operation)	-20 °C ... 125 °C
Altitude	2000 m

### Mounting

Mounting	Central fastening M25 x 1.5
----------	-----------------------------

# RC-0000000H000 - Panel mounting base

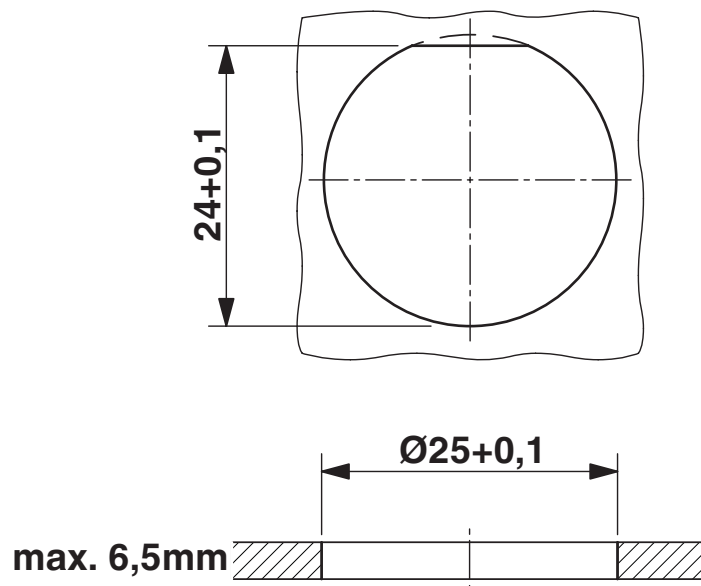
1592833

<https://www.phoenixcontact.com/us/products/1592833>



## Drawings

Dimensional drawing



Installation dimensions

# RC-0000000H000 - Panel mounting base



1592833

<https://www.phoenixcontact.com/us/products/1592833>

## Classifications

### ECLASS

ECLASS-11.0	27440224
ECLASS-12.0	27440224
ECLASS-13.0	27440224

### ETIM

ETIM 9.0	EC003556
----------	----------

### UNSPSC

UNSPSC 21.0	39121400
-------------	----------

# RC-0000000H000 - Panel mounting base



1592833

<https://www.phoenixcontact.com/us/products/1592833>

## Environmental product compliance

### EU RoHS

Fulfills EU RoHS substance requirements	Yes
Exemption	6(c)

### China RoHS

Environment friendly use period (EFUP)	EFUP-50
	An article-related China RoHS declaration table can be found in the download area for the respective article under "Manufacturer declaration". For all articles with EFUP-E, no China RoHS declaration table issued and required.

### EU REACH SVHC

REACH candidate substance (CAS No.)	Lead(CAS: 7439-92-1)
SCIP	a7763001-ff5d-4af9-8755-85a084672e43

Phoenix Contact 2024 © - all rights reserved  
<https://www.phoenixcontact.com>

Phoenix Contact USA  
586 Fulling Mill Road  
Middletown, PA 17057, United States  
(+717) 944-1300  
[info@phoenixcon.com](mailto:info@phoenixcon.com)