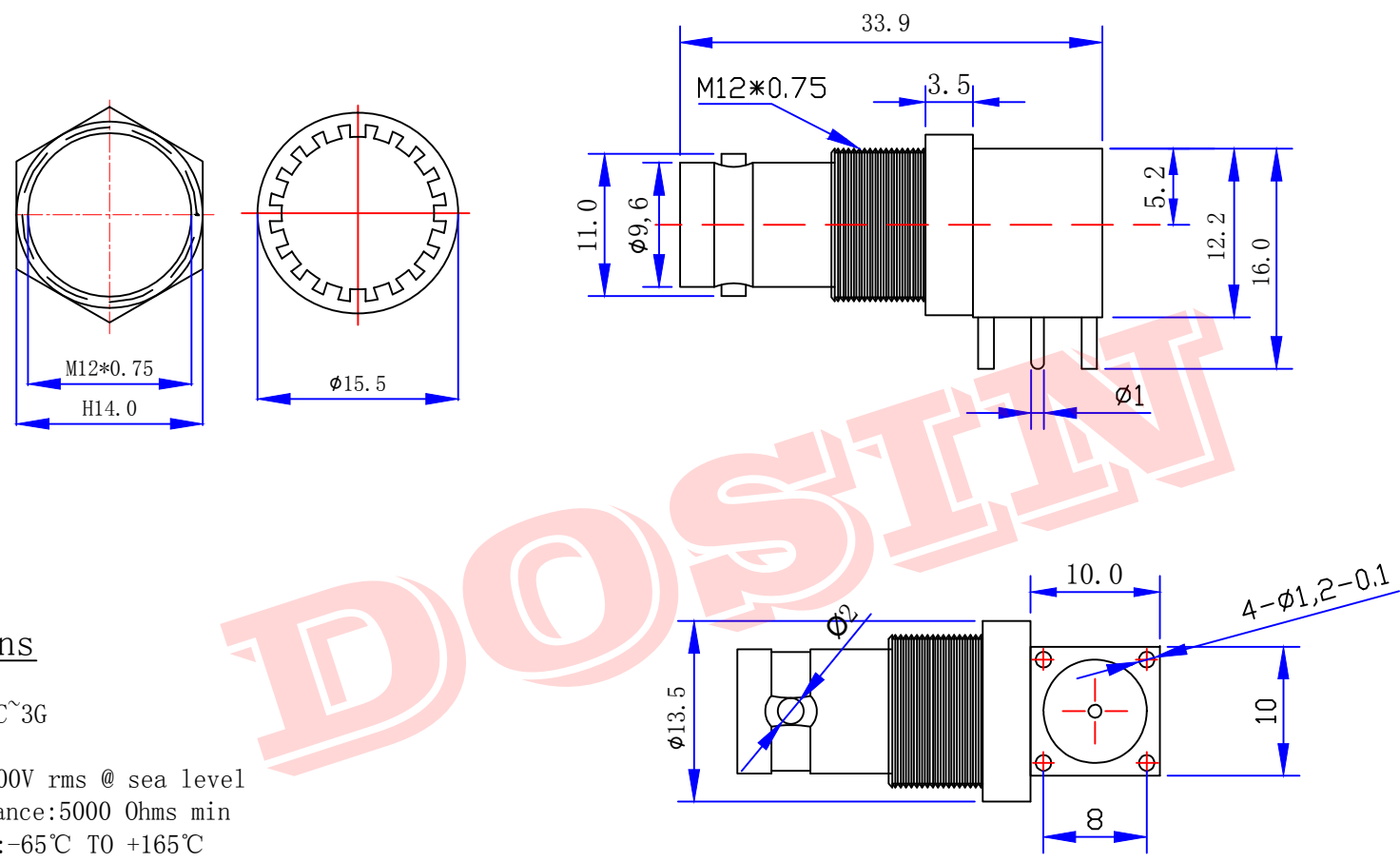


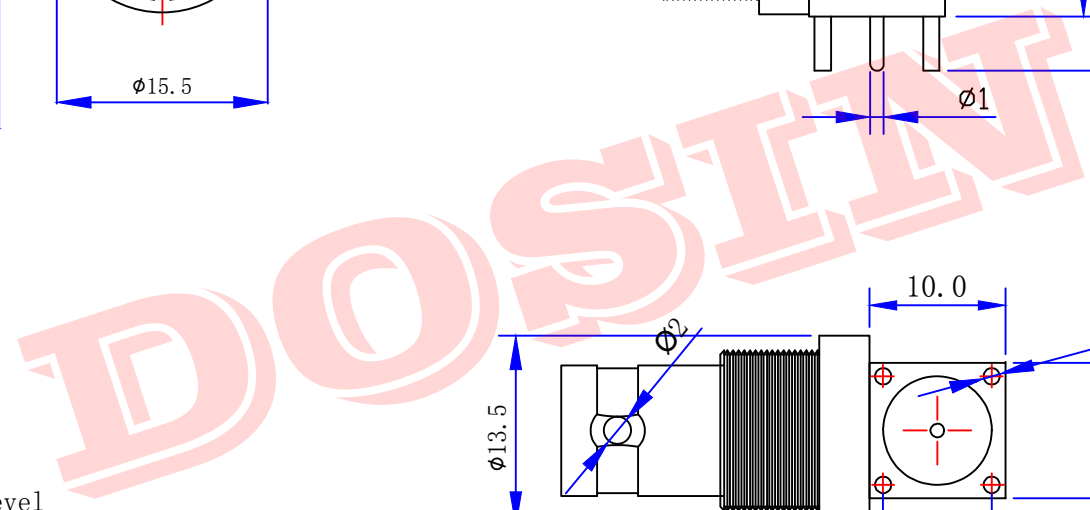


Product NO.		DOSIN-801-0078		
REV	DESCRIPTION	DWN	DATE	APPROVEN
A	First issue	CHEN	2012/11/02	John kine



**Specifications**

Impedance:50 Ohms  
 Frequency Range:DC~3G  
 VSWR:1.3MAX  
 Working Voltage:500V rms @ sea level  
 Insulation Resistance:5000 Ohms min  
 Temperature Range:-65°C TO +165°C  
 Relative Temperature:≤95%(40° C±2° C)  
 Drawings products are in line with ROHS standards



E	GASKET	TE	NICKEL	1
D	NUT	BRASS	NICKEL	1
C	INSULATOR	TEFLON	WHITE	1
B	CONTACT PLATING	BRASS	GOLD	1
A	BODY	BRASS	NICKEL	1
NO	DESCRIPTION	MATERIAL	FINISHED	QTY

NOTE:		Tolerance	0-6 ±0.2 6-30 ±0.3 30-120 ±0.5 Angular ±2°
DRAWN	2012/11/10	View	
Zelin.CHEN		UNIT	MM
CHECKED		SCALE	1:1
APPROVALS	12/04.2012	Date	2012/11/02
John Kine		CAD FILE	D/company drawings/BD

<b>Dosin Industrial(H.K)Co.Ltd</b> 东莞市德索五金电子制品有限公司 <b>Dosin Hardware Electronics Co.,Ltd</b>		E-mail:dosin2005@163.com dosin2005@dosin-china.com Web:http://www.dosinconn.com TEL:(0086)769-81153906 FAX:(0086)769-81875836	
Name: BNC CONNECTOR DNN			
SIZE	Product NO.	REV	
A	DOSIN-801-0078	A	
Date	2012/11/02	SHEET:	1 OF 1