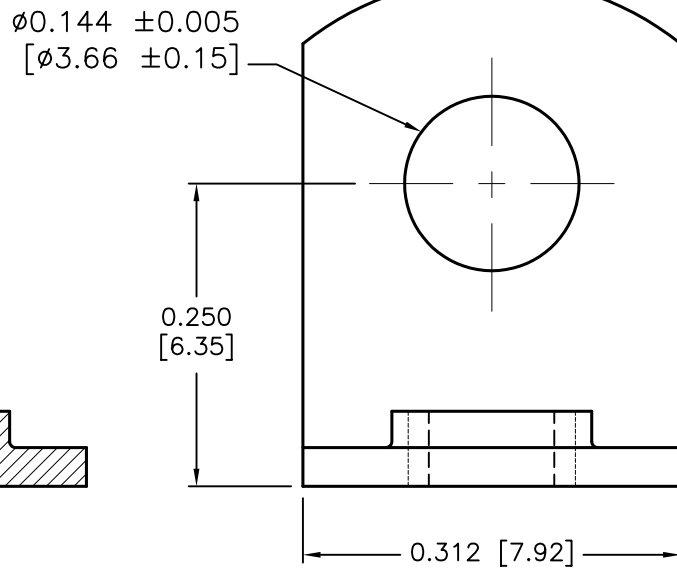
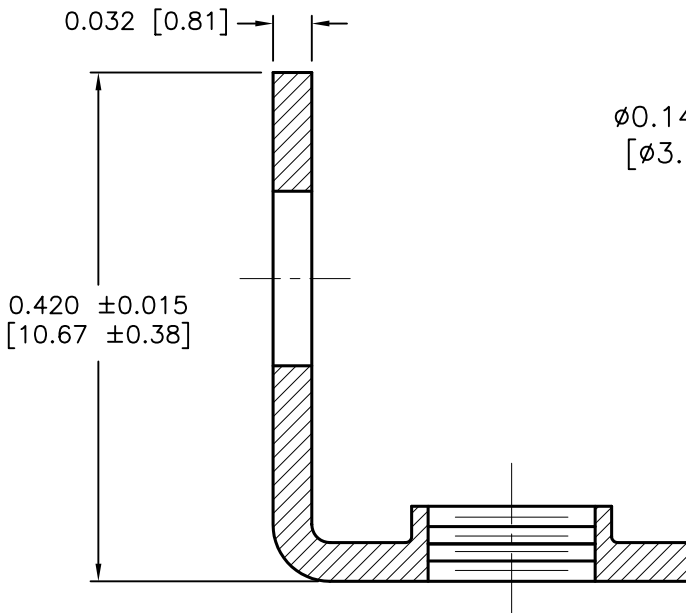
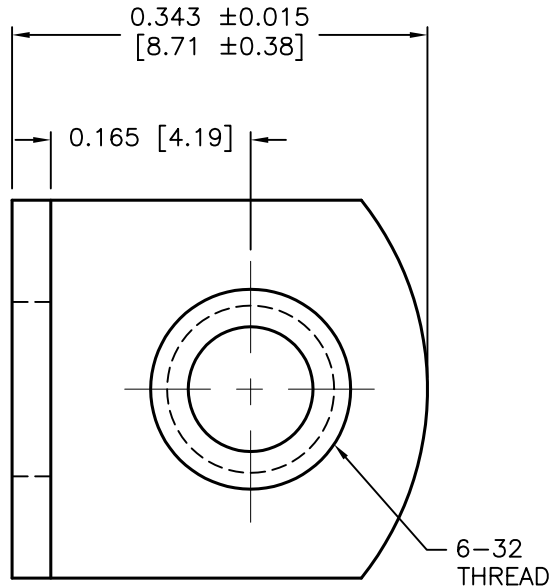


REVISIONS			DOC. NO. SPC-F004 * Effective: 7/8/02 * DCP No: 1398						
DCP #	REV	DESCRIPTION	DRAWN	DATE	CHECKD	DATE	APPRVD	DATE	
564	A	RELEASED	HYO	3/27/00	JC	12/20/00	DJC	2/13/01	
1892	B	Update to RoHS Compliant	EO	3/14/06	HO	3/15/06	HO	3/15/06	



**MATERIAL: BRASS, TIN PLATED**

SPC-F004.DWG

<b>TOLERANCES:</b>  UNLESS OTHERWISE SPECIFIED DECIMAL .XXX ± 0.010 [0.25]	<b>DRAWN BY:</b> HISHAM ODISH	<b>DATE:</b> 3/27/00	<b>DRAWING TITLE:</b> THREADED MOUNTING BRACKET			
	<b>CHECKED BY:</b> JOHN COLE	<b>DATE:</b> 12/20/00	<b>SIZE</b> A	<b>DWG. NO.</b> 8459-0669	<b>ELECTRONIC FILE</b> 16N951.DWG	<b>REV</b> B
	<b>APPROVED BY:</b> DANIEL CAREY	<b>DATE:</b> 2/13/01	<b>SCALE:</b> NTS		<b>U.O.M.:</b> INCHES[MM]	
			<b>SHEET:</b> 1 OF 1			