

STAINLESS STEEL TOOL FOR USE WITH GLENAIR COMPOSITE BACKSHELLS

**600** - **157** - **K**

**Product Series**      **Basic Number**

**Dash Number for Individual Wrench or:**  
*K* - All Wrench Sizes 08 through 24, No Case  
*KC* - All Wrench Sizes 08 through 24 with Case

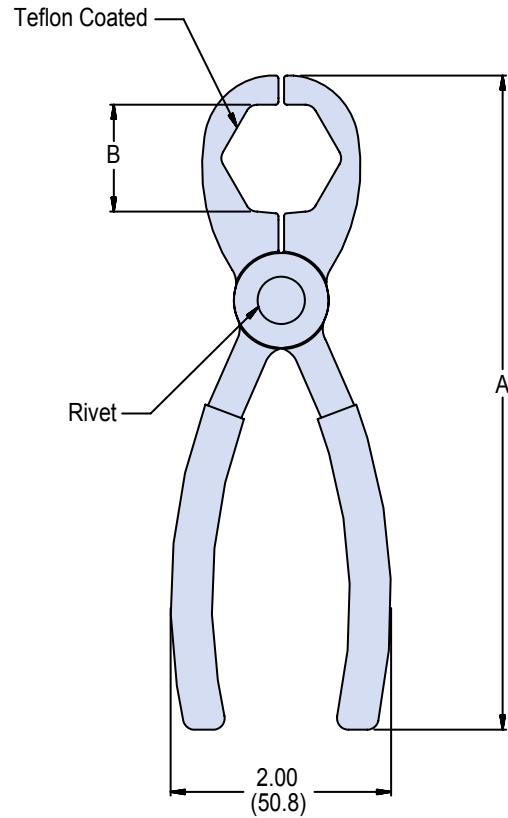
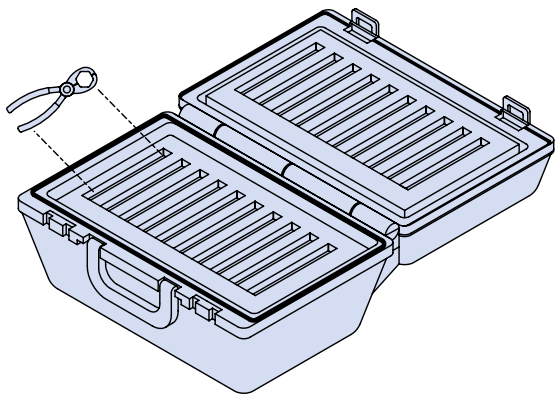


TABLE I: DASH NUMBER				
Dash Number	A Ref	B Hex ±.005 (0.1)	Connector for Shell Size	
			Codes A & F	Code H
08	6.700 (170.2)	.750 (19.1)	08	09
10	6.750 (171.5)	.875 (22.2)	10	11
12	6.810 (173.0)	1.000 (25.4)	12	13
14	6.880 (174.8)	1.125 (28.6)	14	15
16	6.950 (176.5)	1.250 (31.8)	16	17
18	7.050 (179.1)	1.375 (34.9)	18	19
20	7.150 (181.6)	1.500 (38.1)	20	21
22	7.380 (187.5)	1.625 (41.3)	22	23
24	7.440 (189.0)	1.750 (44.5)	24	25

- APPLICATION NOTES**
1. This backshell assembly tool is designed for Glenair composite hex coupling applications and should be used in conjunction with Glenair torque wrenches (see page 14).
  2. These wrenches are made of stainless steel with vinyl grips.
  3. Metric dimensions (mm) are indicated in parentheses.



H