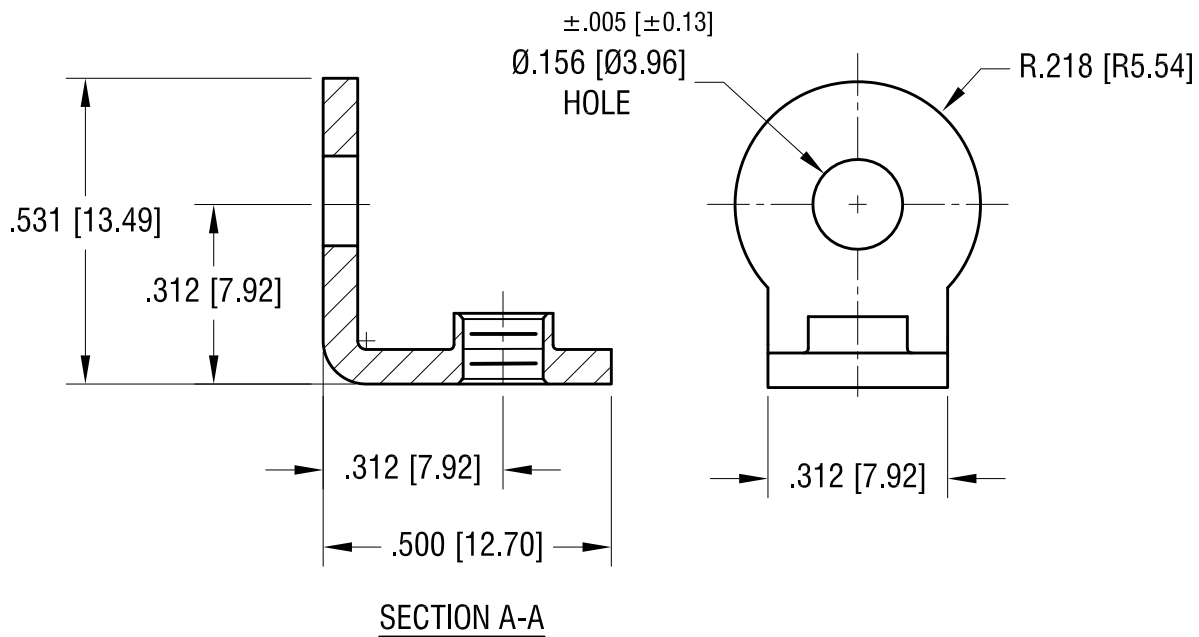
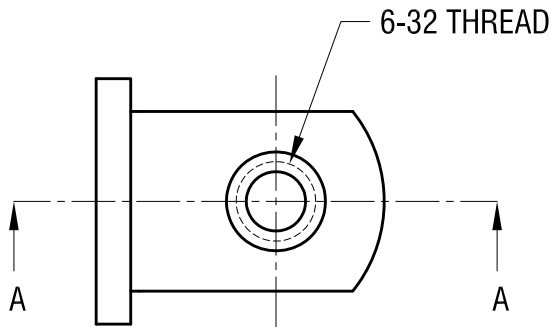


THIS DOCUMENT IS THE PROPERTY OF
KEYSTONE ELECTRONICS CORP. AND
SHALL NOT BE REPRODUCED, DISTRIBUTED
OR USED AS A BASIS FOR MANUFACTURE
WITHOUT PRIOR WRITTEN PERMISSION
FROM KEYSTONE ELECTRONICS CORP.

ACTUAL SIZE



6.28.23	MAT'L TH'M WAS .062 [1.57] CHANGE AS PER ECN 23-109	B
1.4.08	CHANGE AS PER ECN 08-029	A
DATE	DESCRIPTION	REV.

KEYSTONE ELECTRONICS CORP.			
www.keyelco.com • NEW HYDE PARK NY 11040 • Tel (516)328-7500			
PART NAME THREADED MOUNTING BRACKET			
MATERIAL .060 [1.52] TH'K BRASS			
FINISH NICKEL PLATE		DRN BY BOONE	DATE 10.22.97
		APP'D RH	SCALE 3X
TOLERANCES DECIMAL ANGULAR UNLESS OTHERWISE SPECIFIED	INCH [MM] $\pm .010$ [± 0.25] $\pm 1^\circ$	CODE C	DWG NO. 4332