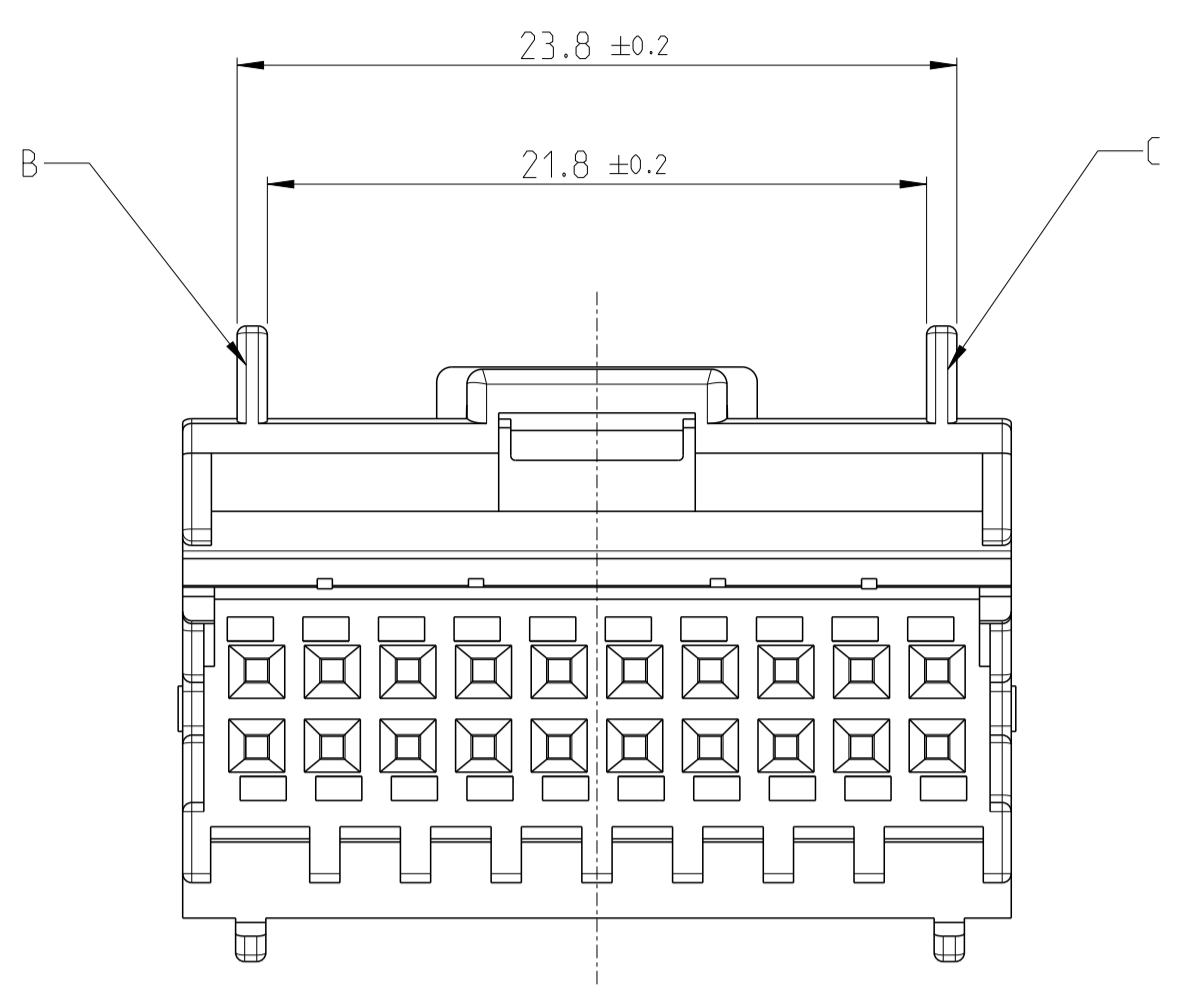
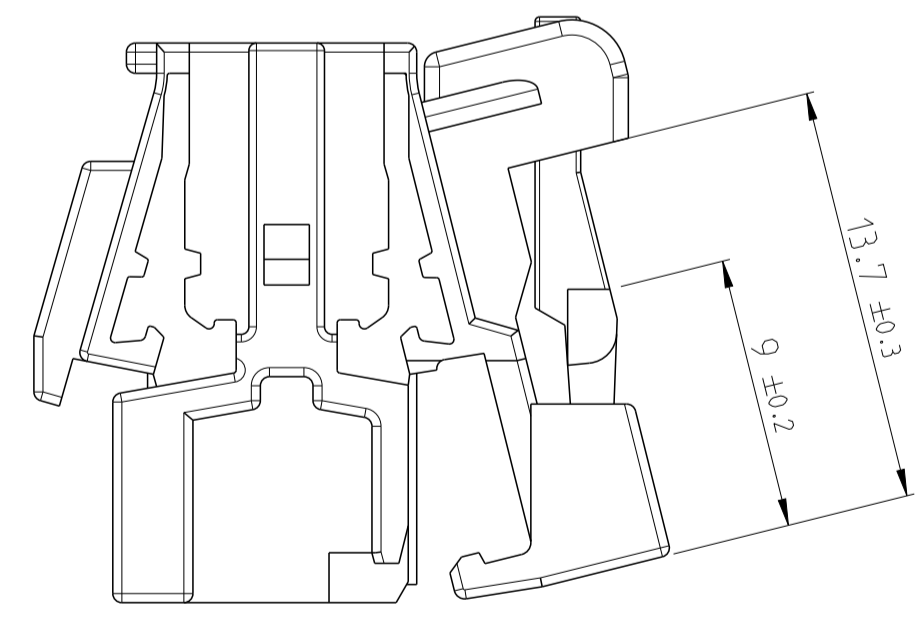
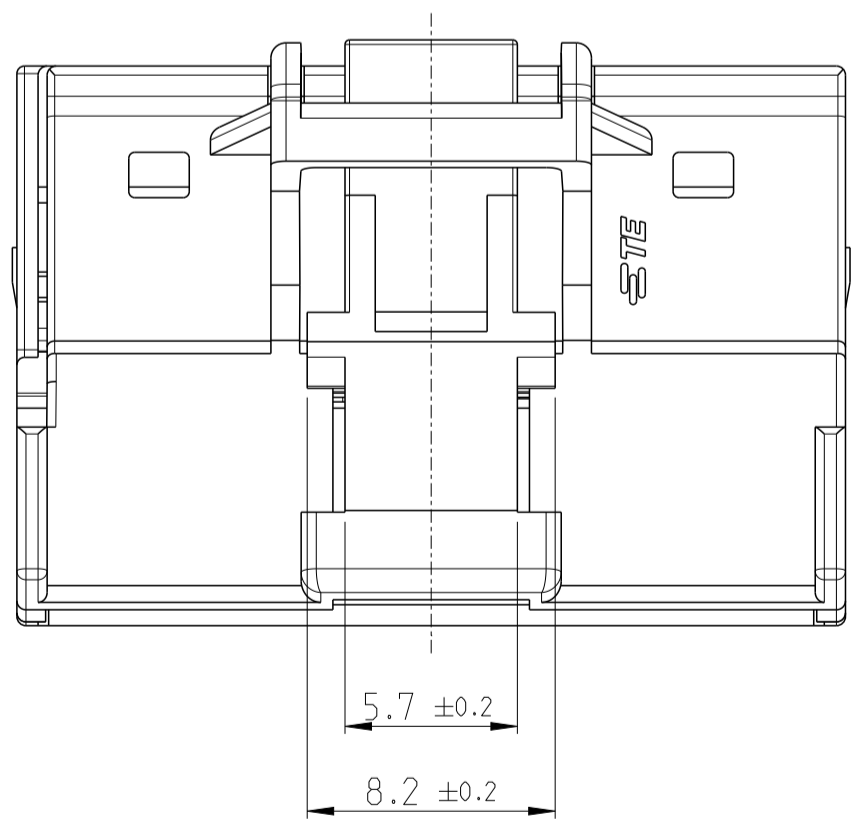
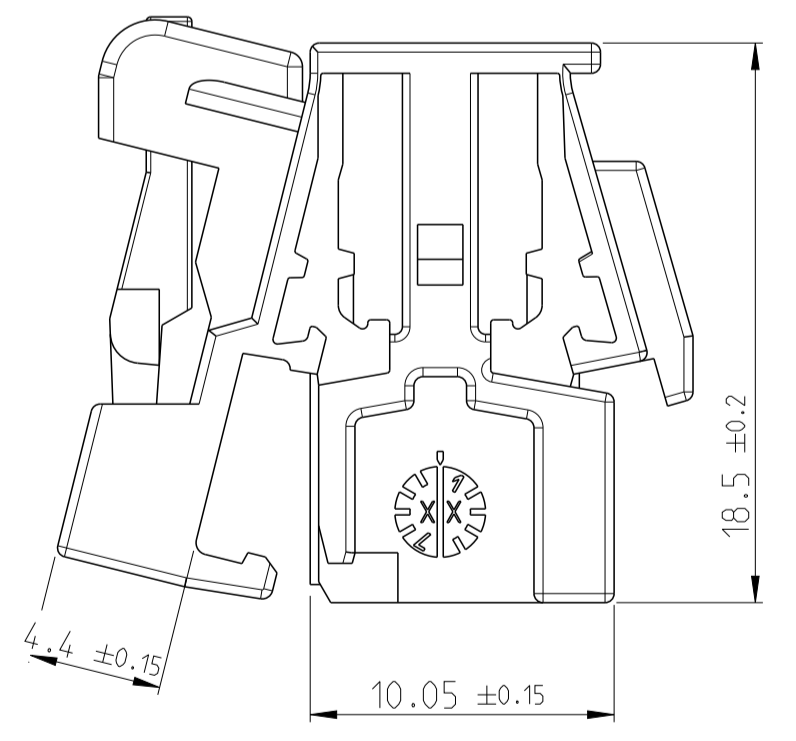
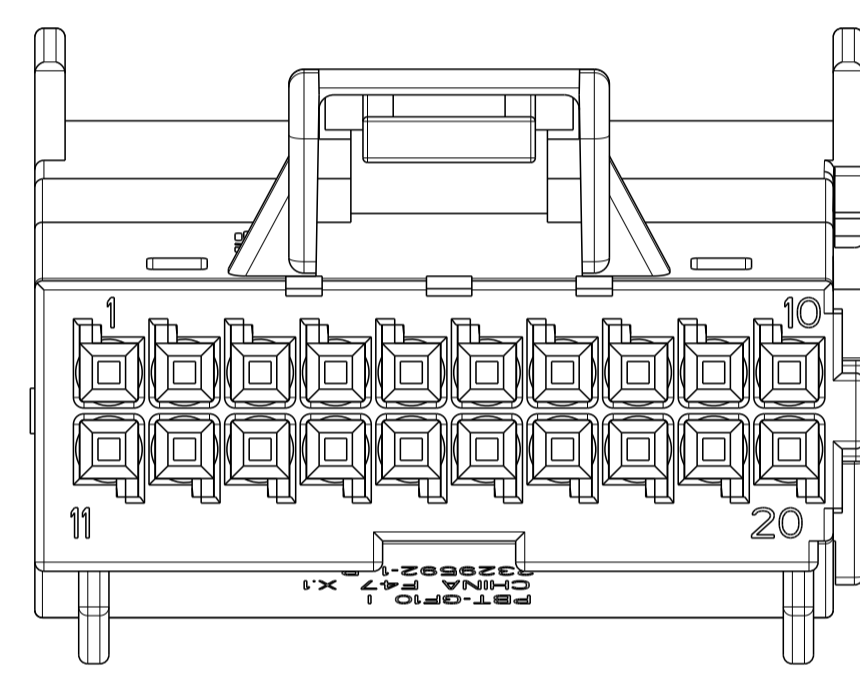
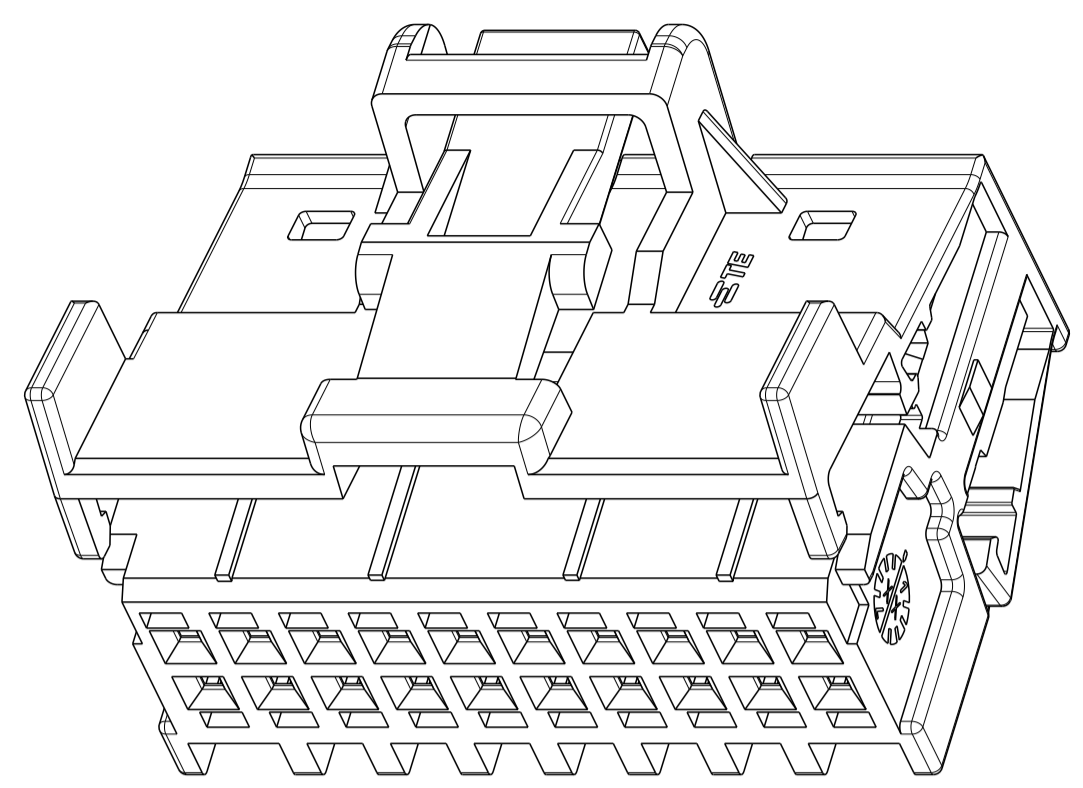
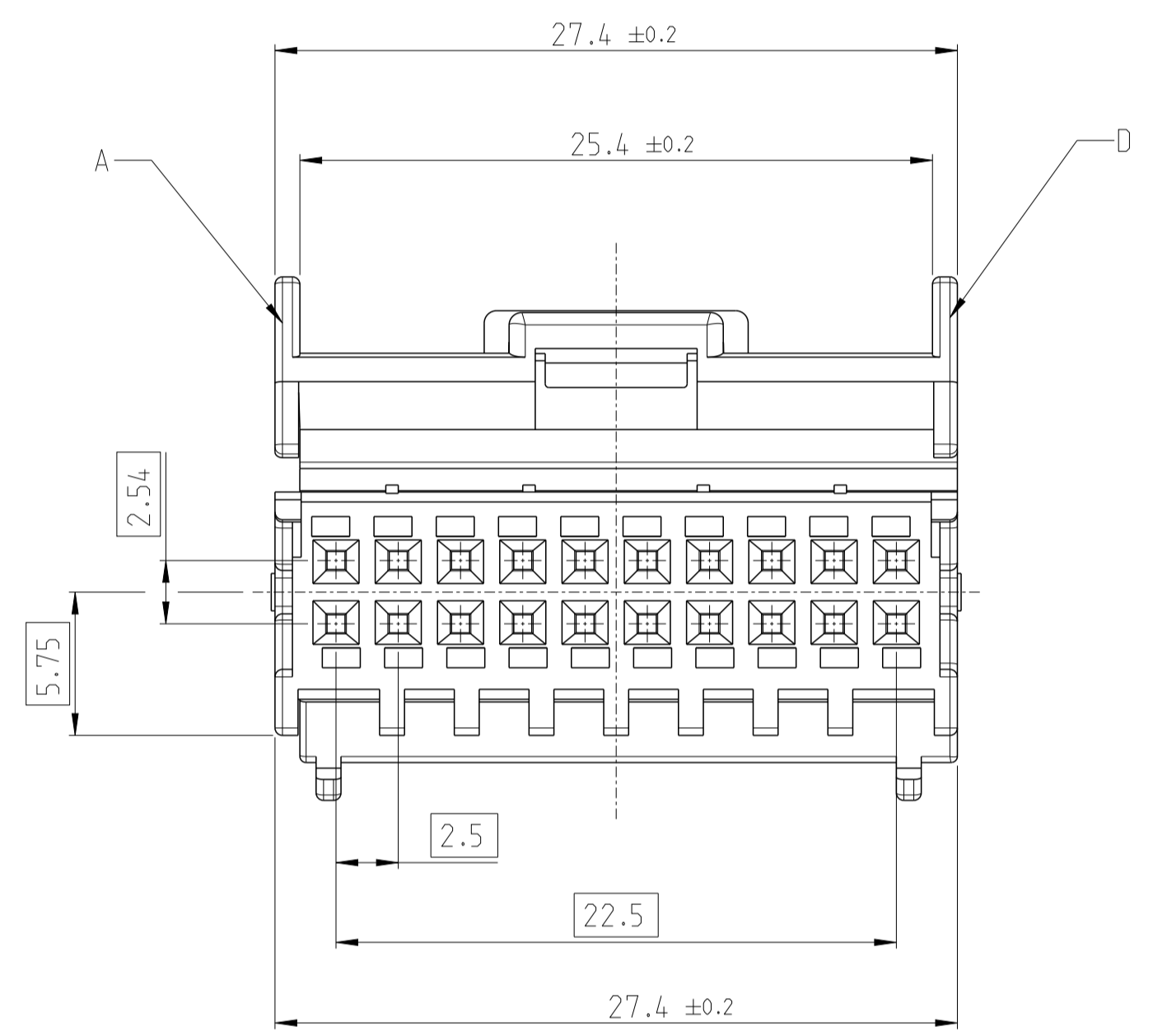


2 CODING B.C
 2329592-2 AS SHOWN

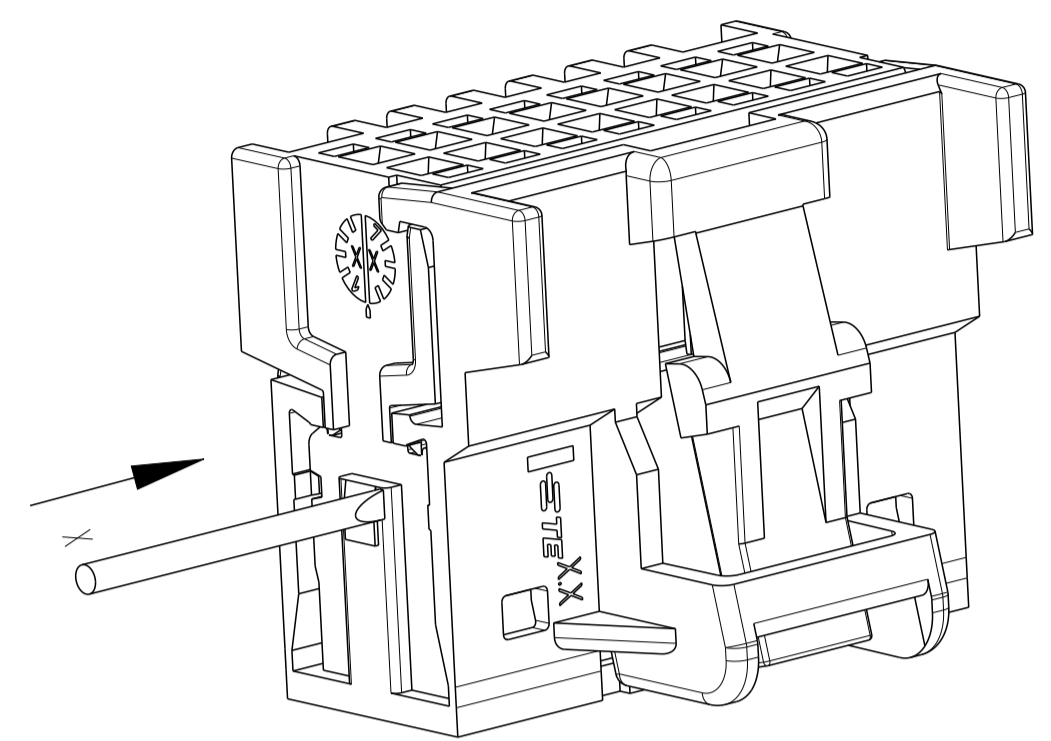


1 CODING A.D
 2329592-1 AS SHOWN



REVISIONS				
P.	LTN	DESCRIPTION	DATE	APVD
B1	ECN-23-192935		06JAN23	L.D J.Z
B2	ECN-23-193481		11JAN23	E.X J.Z
B3	ECN-23-231653	VIEW ADDED	19SEP23	H.Z J.Z
B4	ECN-24-272403		26JUN2024	SDT J.Z

RETAINER CLOSED PICTURED



6 OPENING GUIDE: TO OPEN THE LOCKED RETAINER, USE A Ø 1x0.18MM SCREWDRIVER AND PUSH IT IN THE SHOWN OPENING.

- NOTES B4
- MATING PART EXECUTION ACCORDING TO TE INTERFACE 114-101074
 - SUITABLE CONTACT 1355717, 928999, 963715
 - SUITABLE MATING HOUSING 2329531/2330352
 - MATERIAL REMOVAL OPTIONAL IN EXECUTION AND POSITION ACCORDING TO MANUFACTURE POSSIBLE
 - PACKAGE: LOOSE PIECE IN CARTON BOX
- 6 CONDITION ON DELIVERY:
 SECONDARY LOCK DEVICE SHOULD BE IN PRELOCK POSITION
 --IF IN ENDOCK POSITION AFTER TRANSPORTATION,
 PLEASE REOPEN IT IN ACCORDANCE THE OPENING

2329592-4	B	B.D	PBT-GF10	BLUE	5012	2.984	4.09	4
2329592-3	B	A.C	PBT-GF10	GREEN	6018	2.984	4.09	3
2329592-2	B	B.C	PBT-GF10	BROWN	1011	2.984	4.09	2
2329592-1	B	A.D	PBT-GF10	BLACK	9011	2.984	4.09	1
TE-PART NO	REV.	COD.	MATERIAL	COLOUR	RAL	VOLUME [cm ³]	WEIGHT [g]	POS.

THIS DRAWING IS A CONTROLLED DOCUMENT.		OWN T.DONG 26FEB2018	
DIMENSIONS: mm		CHK E.JIANG 26FEB2018	
TOLERANCES UNLESS OTHERWISE SPECIFIED		APVD LYJIN 26FEB2018	
0 PLC ± 1 PLC ± 2 PLC ± 3 PLC ± 4 PLC ± ANGLES ± FINISH ±		NAME - PRODUCT SPEC - 108-101528 APPLICATION SPEC - SIZE - CAGE CODE - DRAWING NO - WEIGHT - CUSTOMER DRAWING	

SCALE 4:1	SHEET 1 OF 1	REV B4
-----------	--------------	--------