

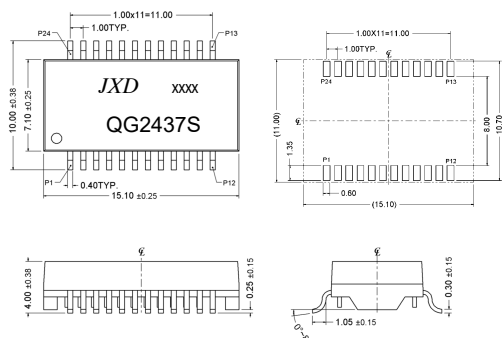
# QG2437S

## 2.5G Single Port Transformer Module

1. Designed for long haul 2.5G Single Port Transformer Module
2. Supports four pairs of category 5 UTP cable, Cable interface for isolation and low common mode emissions.
3. Low profile Surface Mount Packaging designed for Hi-Temp Reflow Process
4. Compliant with IEEE 802.3bz standard for 2.5G Base-Z, Designed to support 1:1 Turns Ratio Transceivers.

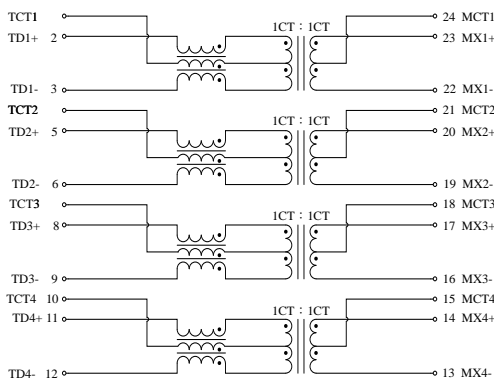


### DIMENSIONS & SCHEMATICS



**Note:**

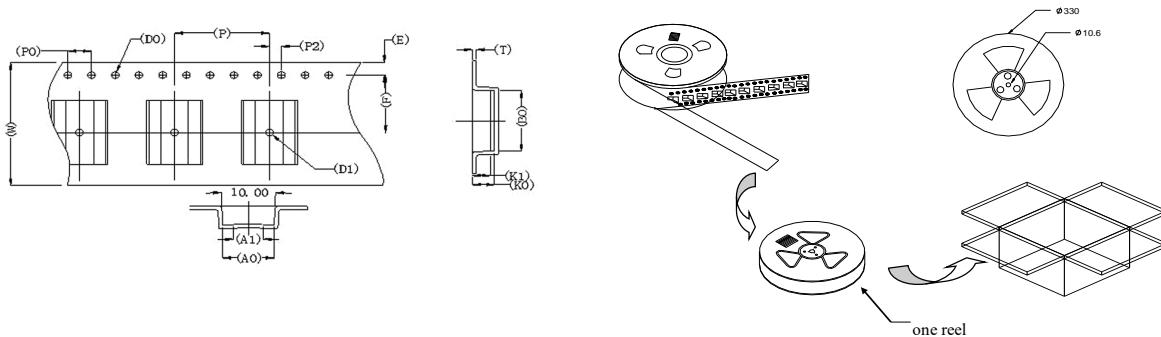
1. Dimension: mm
2. Unless otherwise specified, all tolerances are:  $\pm 0.15$ mm



### TECHNICAL SPECIFICATIONS

OCL :	180 $\mu$ H Min. @ 100 KHz, 100mV with 8mA DC Bias
Leakage Inductance:	0.5 $\mu$ H Max. @ 100KHz, 0.1V
Cw/w:	35 pF Max. @ 100KHz, 0.1V
DCR:	1.00 $\Omega$ Max
Turns Ratio ( $\pm 5\%$ ):	1CT:1 (TX), 1CT:1 (RX)
Polarity:	2-23, 5-20, 8-17, 11-14 In-Phase
Insertion Loss:	-0.5dB Max. @ 1-50MHz -1.0 dB Min. @ 50-125MHz -2.0 dB Min. @ 125-200MHz
Return Loss:	-20 dB Min. @ 1-40MHz -20 + 15*Log(f/40) dB Min. @ 40-200 MHz
Cross Talk:	-30 dB Min. @ 1-125MHz -25 dB Min. @ 125-200MHz
Common Mode Rejection :	-25 dB Min. @ 1-200MHz
Isolation HI-POT:	1500Vrms 1mA 1Second
Operating Temperature range:	-40°C ~ +85°C
Storage temperature range:	-40°C ~ +125°C

### PACKING SPECIFICATION



1. units/reel: 850PCS
- 2 reel/carton: 5PCS
3. units/carton : 4250PCS