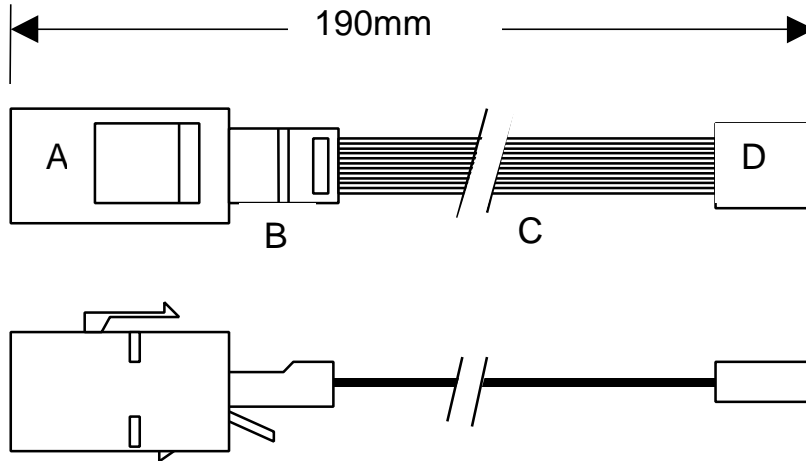


KAB-MOPS-ETN1

1.1. Mechanical Specification



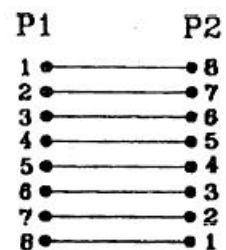
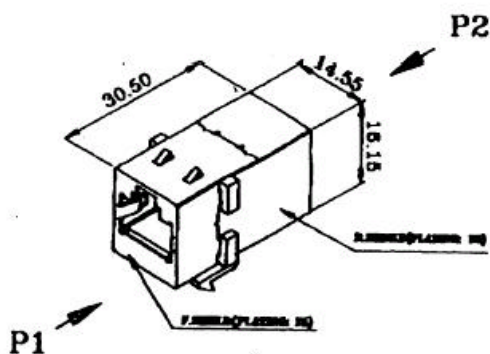
1.2. Parts List

Pos	Description	manufacturer	ordering number
A	in-line coupler insert 8/8 shielded	EFCO	01-2006 (all standard can be used)
B	western plug, 8pos., straight	AMP	5-555178-3
C	Ribbon Cable	AMP	0-134114-8
D	Discrete Crimp-to-Wire Receptacle	BERG	90311-008 (2x4 pin 2mm pitch)
	Crimp Contact	BERG	77138-001

1.3. Pinning:

Pin on Receptacle (Berg)	Pin on Western Plug	Signalname	Function	In/Out
1	1	TXD+	100/10BASE-T	Transmit differential Output
2	2	TXD-	100/10BASE-T	Transmit differential Output
3	3	RXD+	100/10BASE-T	Receive differential Input
4	4	NC	Unused Pin	
5	5	NC	Unused Pin	
6	6	RXD-	100/10BASE-T	Receive differential Input
7	7	NC	Unused Pin Output	
8	8	NC	Unused Pin Output	

1.4. Mechanical Drawing of In-Line Coupler:



WIRING DIAGRAM

1.5. Document Revision History

Filename	Date	Edited by	Alteration to preceding revision
KAB-MOPS-ETN1.DOC	14.01.2000	VGG	Created
KAB-MOPS-ETN1.DOC	19.12.2001	NAL	Reviewed and Extended
KAB-MOPS-ETN1.DOC	02.07.2003	VGG	KONTRON Style
KAB-MOPS-ETN1.DOC	11.12.2003	VGG	Add article- numbers