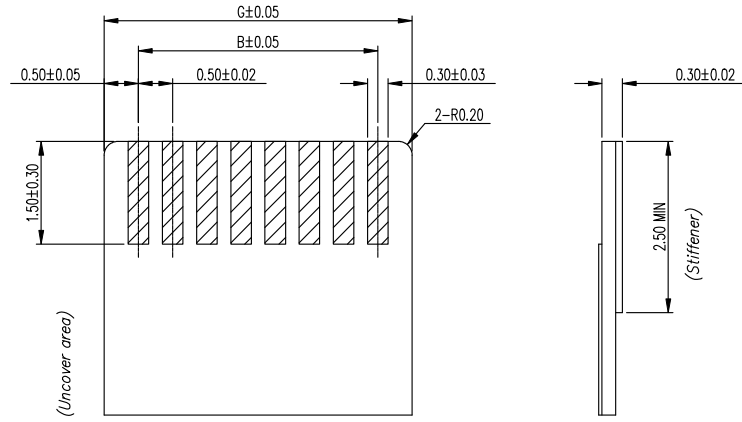


Recommended PCB mounting pattern and metal mask dimensions
Recommended metal mask thickness: t=0.1



Recommended FPC/FFC Dimensions

50	27.00	24.50	25.57	26.39	26.10	26.90	25.50
45	24.50	22.00	23.07	23.89	23.60	24.40	23.00
40	22.00	19.50	20.57	21.39	21.10	21.90	20.50
34	19.00	16.50	17.57	18.39	18.10	18.90	17.50
32	18.00	15.50	16.57	17.39	17.10	17.90	16.50
30	17.00	14.50	15.57	16.39	16.10	16.90	15.50
28	16.00	13.50	14.57	15.39	15.10	15.90	14.50
26	15.00	12.50	13.57	14.39	14.10	14.90	13.50
24	14.00	11.50	12.57	13.39	13.10	13.90	12.50
22	13.00	10.50	11.57	12.39	12.10	12.90	11.50
20	12.00	9.50	10.57	11.39	11.10	11.90	10.50
18	11.00	8.50	9.57	10.39	10.10	10.90	9.50
16	10.00	7.50	8.57	9.39	9.10	9.90	8.50
14	9.00	6.50	7.57	8.39	8.10	8.90	7.50
12	8.00	5.50	6.57	7.39	7.10	7.90	6.50
11	7.50	5.00	6.07	6.89	6.60	7.40	6.00
10	7.00	4.50	5.57	6.39	6.10	6.90	5.50
8	6.00	3.50	4.57	5.39	5.10	5.90	4.50
7	5.50	3.00	4.07	4.89	4.60	5.40	4.00
6	5.00	2.50	3.57	4.39	4.10	4.90	3.50
5	4.5	2.00	3.07	3.89	3.60	4.50	3.00
4	4.00	1.50	2.57	3.39	3.10	3.90	2.50
Number of Contacts	DIM A	DIM B	DIM C	DIM D	DIM E	DIM F	DIM G

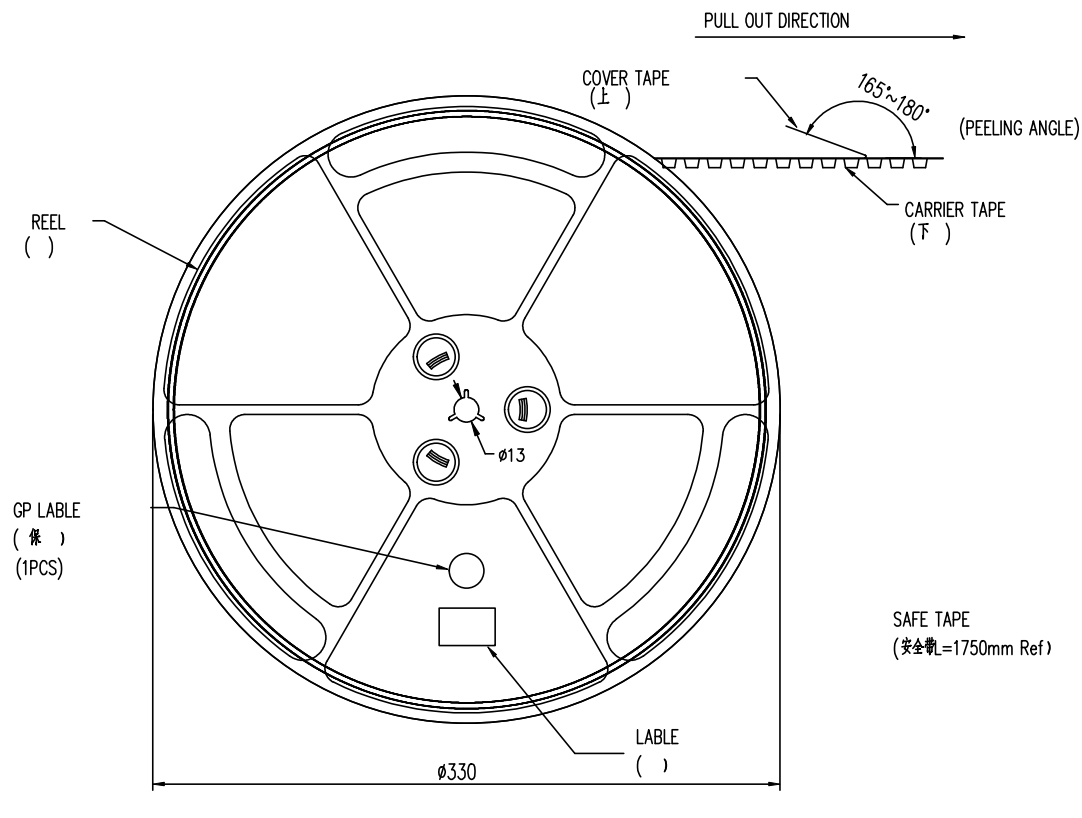
- TOLERANCES - UNLESS OTHERWISE SPECIFIED 公差 表		深圳市金航标电子有限公司 www.kinghelm.com.cn	
		KH-FPC0.5-H1.0SMT-40P-QCHF	
		0755-28190160	
		TITLE: FPC 0.5Pitch 1.0H ZIF 品名: R/A Connector	
X.X : ±0.30	X.X* : ±5°	APPD: 核准:	DWG NO: 物料: FP242AH-0XXG10M
X.XX : ±0.20	X.XX* : ±2°	CHECK: 校:	DATE
X.XXX : ±0.10	X.XXX* : ±1°	DRAW: :	SCALE
		LIU	UNIT
			PAGE
			2/2

本产品符合 RoHS 符合 SONY00259 符合 HF 其它
*禁止使用本公司所禁用有毒物质

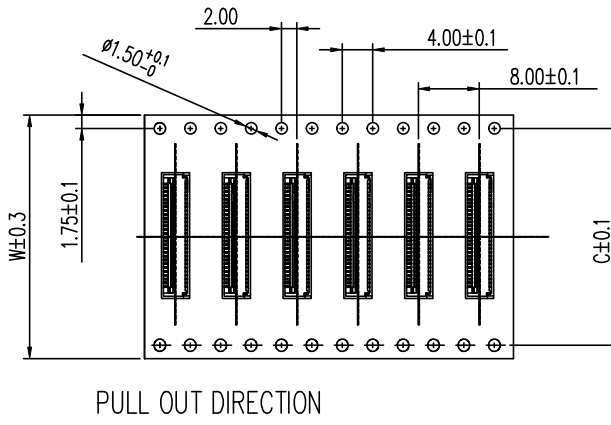
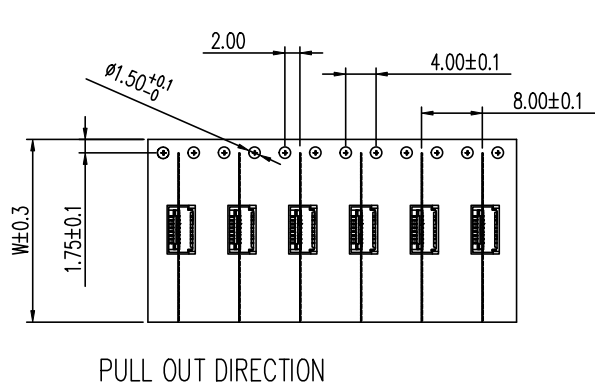
B	盖子高度由1.75改为1.55MM	2021051001	liupeng	2021/5/10
A	NEW DRAWING		liupeng	
REV	DESCRIPTION	ECN.NO	BY	DATE

NOTE:

- 1.10 Sprocket hole pitch cumulative tolerance ± 0.20 .
2. Carrier camber is within 1mm in 100mm.
3. Material: black conductive polystyrene alloy.
4. Material Thickness: 0.3 ± 0.05 mm.
5. All dimensions meet EIA-481-B requirements.
6. 4000pcs Pef Reel.
7. For tape width(dim W)16 and 24mm pilot holes are provided on one sides. For tape width(dim W)32, 44 and 56mm pilot holes are provided on both sides.

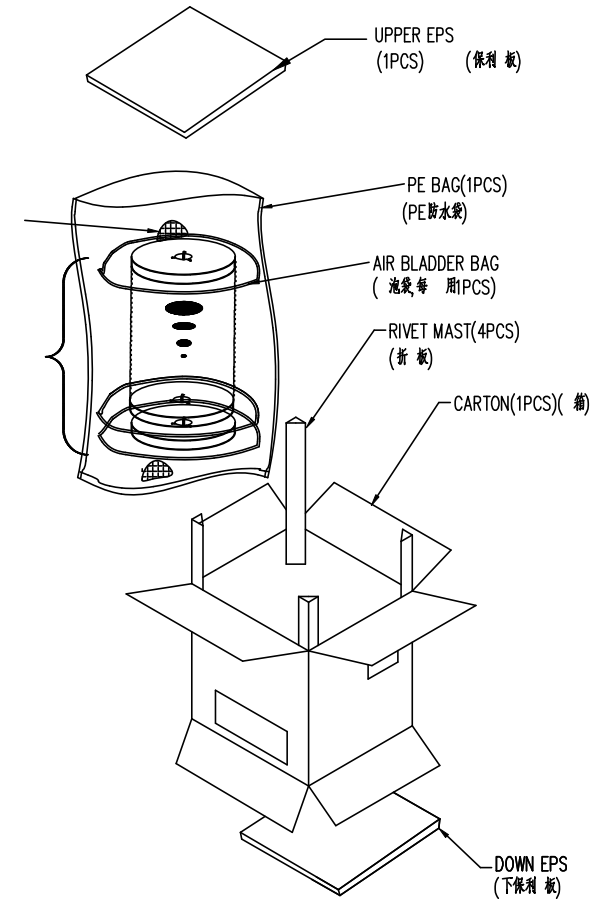


SCALE 1:4



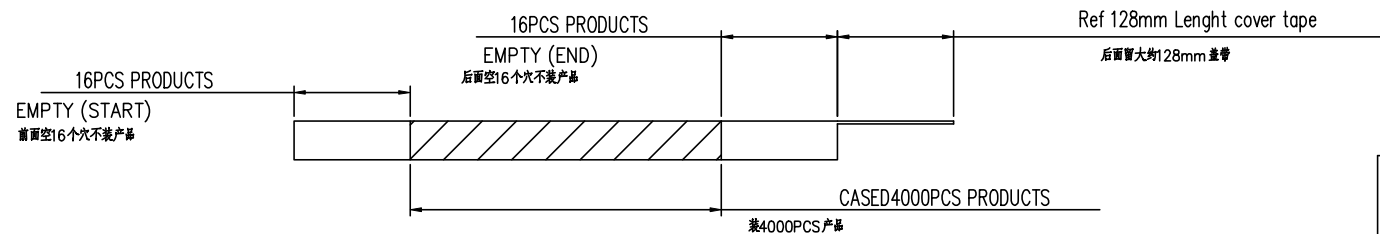
DESICCANT(2 PCS)
(3g/PCS)(干燥)

NUMBER REEL
()



GP LABEL
(上)(1PCS)

LABEL
(下)(1PCS)



PIN NO.	W	C	PCS /REEL	REEL/CARTON	SUM(PCS)
04PIN~14PIN	16	-	4000	14	56000
16PIN~24PIN	24	-	4000	10	40000
28PIN~39PIN	32	28.4	4000	8	32000
40Pin~50PIN	44	40.4	4000	6	24000

—TOLERANCES—
UNLESS OTHERWISE SPECIFIED
公差 考表

深圳市金航标电子有限公司
www.kinghelm.com.cn

KH-FPC0.5-H1.0SMT-40P-QCHF
0755-28190160

TITLE: 0.5mm Pitch FPC Connector
品名:

A	New Drawing		LIU	02/27'13
REV	DESCRIPTION	ECN.NO	BY	DATE

本产品符合 RoHS 符合 SONY00259 符合 HF 其他
*禁止使用本公司所禁用有毒物质

APPD: 核准:	DWG NO: 料号: FP242AH-0XXG10M		
CHECK: 校:	DATE	SCALE	UNIT
DRAW: :	LIU	1:1	mm
			PAGE 1/1