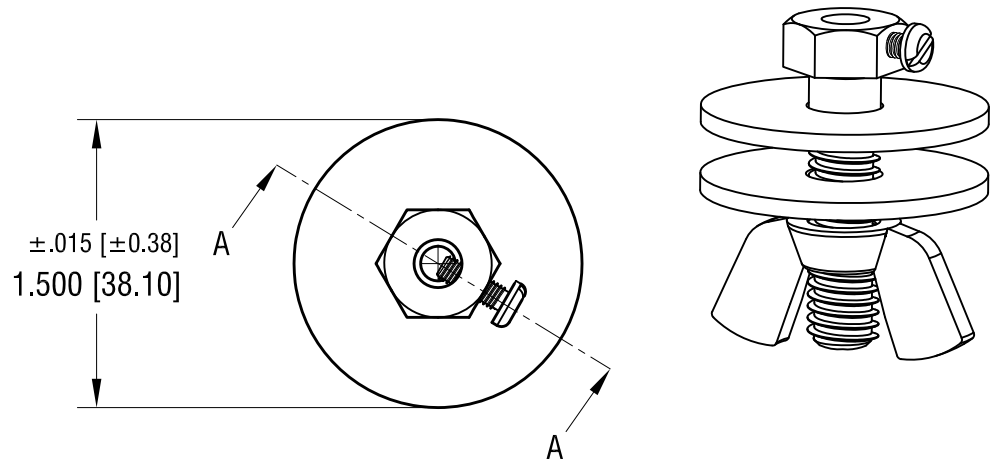
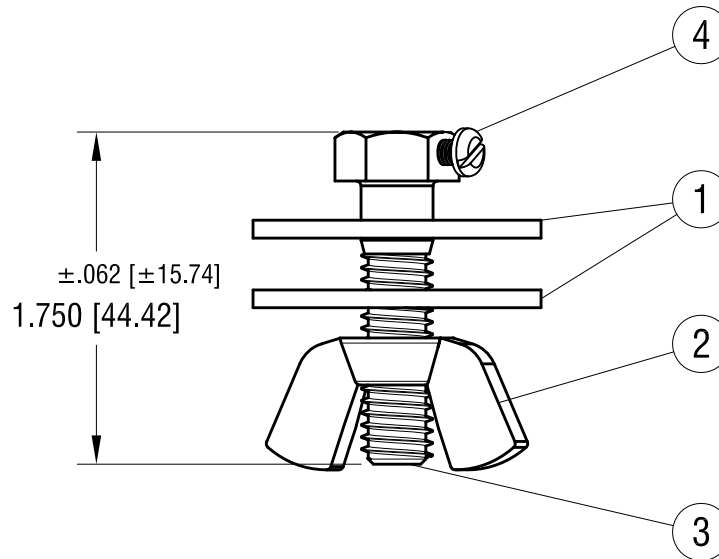
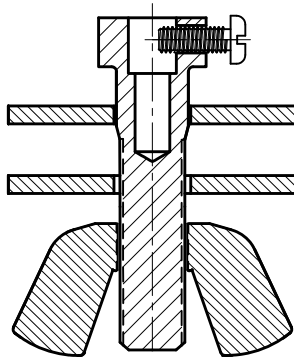


THIS DOCUMENT IS THE PROPERTY OF  
KEYSTONE ELECTRONICS CORP. AND  
SHALL NOT BE REPRODUCED, DISTRIBUTED  
OR USED AS A BASIS FOR MANUFACTURE  
WITHOUT PRIOR WRITTEN PERMISSION  
FROM KEYSTONE ELECTRONICS CORP.



SECTION A-A



| PART NUMBER | DESCRIPTION | QTY |
|-------------|-------------|-----|
| 1           | WASHER      | 2   |
| 2           | WING NUT    | 1   |
| 3           | HEX HOLDER  | 1   |
| 4           | 6-32 SCREW  | 1   |

|         |                  |      |
|---------|------------------|------|
| 8.13.10 | REDRAWN          |      |
| 4.18.94 | GENERAL REVISION | A    |
| DATE    | DESCRIPTION      | REV. |

|   |                 |             |             |
|---|-----------------|-------------|-------------|
| <b>KEYSTONE ELECTRONICS CORP.</b>                               |                 |             |             |
| www.keyelco.com • ASTORIA, N.Y. 11105-2017 • Tel (718) 956-8900 |                 |             |             |
| PART NAME   |                 | TOOL HOLDER |             |
| MATERIAL  |                 | CRS         |             |
| FINISH  |                 | DRN BY      | DATE        |
| ZINC PLATE  |                 | L.N.        | 7.22.82     |
|   |                 | APP'D       | SCALE       |
|   |                 | LN          | 1X          |
| TOLERANCES  | INCH [MM]       | CODE        | DWG NO.     |
| DECIMAL   | ± .010 [± 0.25] | C           | <b>1719</b> |
| ANGULAR   | ± 1°            |             |             |
| UNLESS OTHERWISE SPECIFIED                                      |                 |             |             |