

# ME-IO 18,8 C 2U MC 7035 - Housing cover



2202616

<https://www.phoenixcontact.com/us/products/2202616>

Please be informed that the data shown in this PDF document is generated from our online catalog. Please find the complete data in the user documentation. Our general terms of use for downloads are valid.



DIN rail housing, 2U for marking lid, Housing cover, width: 18.9 mm, height: 21.9 mm, depth: 26 mm, color: light grey (similar RAL 7035)

## Your advantages

- Tool-free mounting
- Plastic in accordance with UL94 V0: for more rigorous flammability requirements
- Can be machined for application-specific connection technology
- Cover for fully closed device fronts

## Commercial data

Item number	2202616
Packing unit	30 pc
Minimum order quantity	30 pc
Sales key	AC15
Product key	ACHEBB
GTIN	4055626210490
Weight per piece (including packing)	2.81 g
Weight per piece (excluding packing)	2.8 g
Customs tariff number	85389099
Country of origin	CN

# ME-IO 18,8 C 2U MC 7035 - Housing cover



2202616

<https://www.phoenixcontact.com/us/products/2202616>

## Technical data

### Notes

Assembly note	Refer to the data sheet for the range in the download area.
---------------	---

### Product properties

Product type	Upper housing part
Housing type	DIN rail housing
Housing series	ME-IO
Type	2U for marking lid
Ventilation openings present	no

### Dimensions

Width	18.9 mm
Height	21.9 mm
Depth	26 mm

### Material specifications

Color (Housing)	light grey (RAL 7035)
Flammability rating according to UL 94	V0
CTI according to IEC 60112	600
Housing material	Polyamide
Surface characteristics	untreated

### Environmental and real-life conditions

#### Vibration test

Specification	IEC 60068-2-6:2007-12
Frequency	10 - 150 - 10 Hz
Sweep speed	1 octave/min
Amplitude	0.15 mm (10 Hz ... 58.1 Hz)
Acceleration	2g (58.1 Hz ... 150 Hz)
Test duration per axis	2.5 h
Test directions	X-, Y- and Z-axis

#### Glow-wire test

Specification	IEC 60695-2-11:2014-02
Temperature	850 °C
Time of exposure	30 s

#### Thermal stability / ball thrust test

Specification	IEC 60695-10-2:2014-02
Temperature	125 °C
Test duration	1 h
Force	20 N

# ME-IO 18,8 C 2U MC 7035 - Housing cover



2202616

<https://www.phoenixcontact.com/us/products/2202616>

## Mechanical strength / tumbling barrel

Specification	IEC 60068-2-31:2008-05
Height of fall	50 cm
Frequency	50

## Shocks

Specification	IEC 60068-2-27:2008-02
Pulse shape	Semi-sinusoidal
Acceleration	15g
Shock duration	11 ms
Number of shocks per direction	3
Test directions	X-, Y- and Z-axis (pos. and neg.)

## Test for substances that would hinder coating with paint or varnish

Specification	VDMA 24364:2018-05
---------------	--------------------

## Degree of protection (IP code)

Specification	IEC 60529:1989-11 + AMD 1:1999-11 + AMD 2:2013-08
---------------	---

## Ambient conditions

Max. IP code to attain	IP20
Ambient temperature (operation)	-40 °C ... 105 °C (depending on power dissipation)
Ambient temperature (storage/transport)	-40 °C ... 55 °C
Ambient temperature (assembly)	-5 °C ... 100 °C
Relative humidity (storage/transport)	80 %

## Mounting

Mounting type	Snap in
Mounting position	Vertical (horizontal DIN rail)

## Packaging specifications

Type of packaging	packed in cardboard
Outer packaging type	Carton

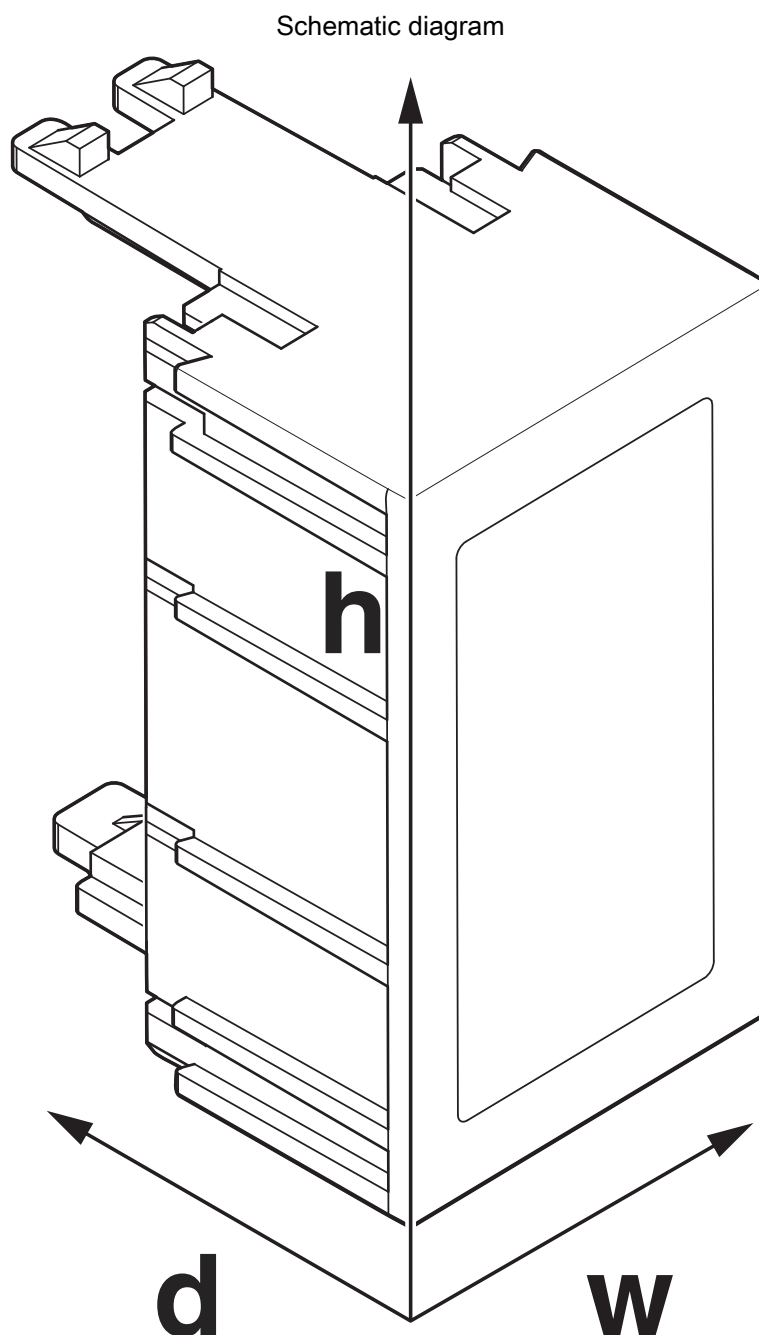
# ME-IO 18,8 C 2U MC 7035 - Housing cover

2202616

<https://www.phoenixcontact.com/us/products/2202616>



## Drawings



Schematic figure for illustrating the item dimensions. The figure is not of the desired product. For further details, refer to the product drawings in the "Downloads" tab.

# ME-IO 18,8 C 2U MC 7035 - Housing cover



2202616

<https://www.phoenixcontact.com/us/products/2202616>

## Approvals

To download certificates, visit the product detail page: <https://www.phoenixcontact.com/us/products/2202616>



**UL Recognized**

Approval ID: FILE E 240868

# ME-IO 18,8 C 2U MC 7035 - Housing cover



2202616

<https://www.phoenixcontact.com/us/products/2202616>

## Classifications

### ECLASS

ECLASS-11.0	27182702
ECLASS-13.0	27190603

### ETIM

ETIM 9.0	EC001031
----------	----------

### UNSPSC

UNSPSC 21.0	31261500
-------------	----------

# ME-IO 18,8 C 2U MC 7035 - Housing cover



2202616

<https://www.phoenixcontact.com/us/products/2202616>

## Environmental product compliance

### EU RoHS

Fulfills EU RoHS substance requirements	Yes, No exemptions
---	--------------------

### China RoHS

Environment friendly use period (EFUP)	EFUP-E
	No hazardous substances above the limits

### EU REACH SVHC

REACH candidate substance (CAS No.)	No substance above 0.1 wt%
-------------------------------------	----------------------------

Phoenix Contact 2024 © - all rights reserved  
<https://www.phoenixcontact.com>

Phoenix Contact USA  
586 Fulling Mill Road  
Middletown, PA 17057, United States  
(+717) 944-1300  
[info@phoenixcon.com](mailto:info@phoenixcon.com)