



AMP | AMP Type III+

TE Internal #: 1-66359-7

Pin Contact, Tin, Size 16 Contact Size, 18 – 14 AWG Wire Size, .8 – 2 mm² Wire Size, Crimp, Copper Nickel Alloy, Power & Signal, AMP Type III+

[View on TE.com >](#)

Connectors > Contacts > Connector Contacts



Contact Type: **Pin**

Contact Mating Area Plating Material: **Tin**

Wire Contact Termination Area Plating Material: **Tin-Lead**

Contact Retention Within Housing: **With**

Contact Size: **Size 16**

Features

Contact Features

| | |
|---|---------------------|
| Mating Pin Diameter | 1.57 mm[.062 in] |
| Contact Underplating Material Thickness | 1.27 μm[50 μin] |
| Wire Contact Termination Area Plating Thickness | 2.54 μm[100 μin] |
| Wire Contact Termination Area Plating Material Finish | Matte |
| Contact Mating Area Plating Material Thickness | 2.54 μm[100 μin] |
| Contact Orientation | Straight |
| Contact Underplating Material | Nickel |
| Contact Type | Pin |
| Contact Mating Area Plating Material | Tin |
| Wire Contact Termination Area Plating Material | Tin-Lead |
| Contact Retention Within Housing | With |
| Contact Size | Size 16 |
| Contact Base Material | Copper Nickel Alloy |
| Contact Current Rating (Max) | 25 A |



Termination Features

| | |
|------------------------------------|--------------|
| Termination Method to Wire & Cable | Crimp |
| Product Terminates To | Wire & Cable |

Mechanical Attachment

| | |
|-------------------------|------|
| Wire Insulation Support | With |
|-------------------------|------|

Dimensions

| | |
|--------------------------------------|------------------------------|
| Compatible Insulation Diameter Range | 2.03 – 2.54 mm [.08 – .1 in] |
| Wire Size | .8 – 2 mm ² |

Usage Conditions

| | |
|-----------------------------|-----------------------------|
| Operating Temperature Range | -55 – 150 °C [-67 – 302 °F] |
|-----------------------------|-----------------------------|

Operation/Application

| | |
|---------------------|----------------|
| Circuit Application | Power & Signal |
|---------------------|----------------|

Packaging Features

| | |
|--------------------|------|
| Packaging Quantity | 4000 |
| Packaging Method | Reel |

Product Compliance

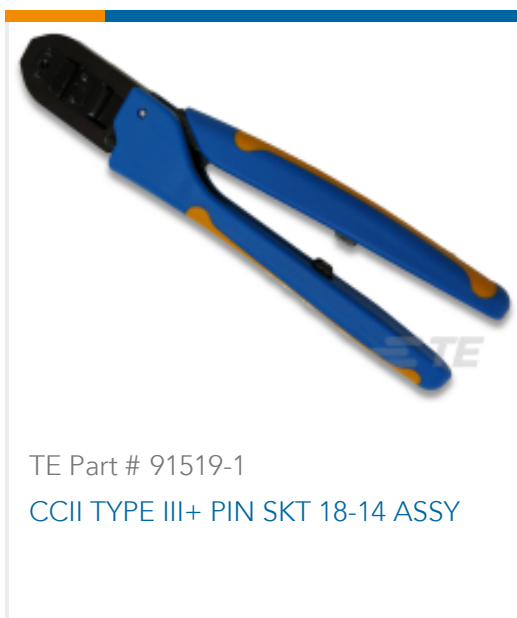
[For compliance documentation, visit the product page on TE.com>](#)

| | |
|---|---|
| EU RoHS Directive 2011/65/EU | Not Compliant |
| EU ELV Directive 2000/53/EC | Compliant with Exemptions |
| China RoHS 2 Directive MIIT Order No 32, 2016 | Restricted Materials Above Threshold |
| EU REACH Regulation (EC) No. 1907/2006 | Current ECHA Candidate List: JUNE 2024 (241) Candidate List Declared Against: JUNE 2024 (241) SVHC > Threshold: Pb (13% in Component Part) Article Safe Usage Statements: Do not eat, drink or smoke when using this product. Wash thoroughly after handling. Recycle if possible and dispose of the article by following all applicable governmental regulations relevant to your geographic location. |
| Halogen Content | Low Halogen - Br, Cl, F, I < 900 ppm per homogenous material. Also BFR/CFR/PVC Free |
| Solder Process Capability | Not applicable for solder process capability |

Product Compliance Disclaimer

This information is provided based on reasonable inquiry of our suppliers and represents our current actual knowledge based on the information they provided. This information is subject to change. The part numbers that TE has identified as EU RoHS compliant have a maximum concentration of 0.1% by weight in homogenous materials for lead, hexavalent chromium, mercury, PBB, PBDE, DBP, BBP, DEHP, DIBP, and 0.01% for cadmium, or qualify for an exemption to these limits as defined in the Annexes of Directive 2011/65/EU (RoHS2). Finished electrical and electronic equipment products will be CE marked as required by Directive 2011/65/EU. Components may not be CE marked. Additionally, the part numbers that TE has identified as EU ELV compliant have a maximum concentration of 0.1% by weight in homogenous materials for lead, hexavalent chromium, and mercury, and 0.01% for cadmium, or qualify for an exemption to these limits as defined in the Annexes of Directive 2000/53/EC (ELV). Regarding the REACH Regulation, the information TE provides on SVHC in articles for this part number is based on the latest European Chemicals Agency (ECHA) 'Guidance on requirements for substances in articles' posted at this URL: <https://echa.europa.eu/guidance-documents/guidance-on-reach>

Compatible Parts



Also in the Series | **AMP Type III+**

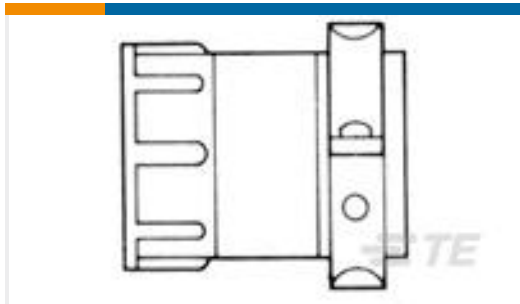


Connector Contacts(409)



Insertion & Extraction Tools(4)

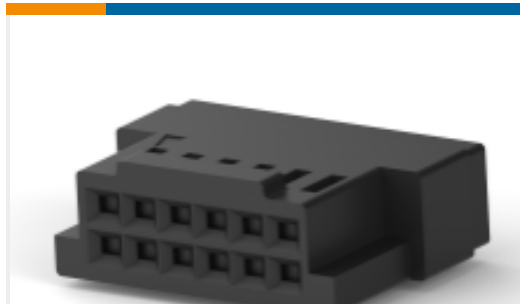
Customers Also Bought



TE Part #207008-6
CABLE CLAMP KIT, BULK PKG



TE Part #320882
PIDG R 22-16 COMM 22-18 MIL 4



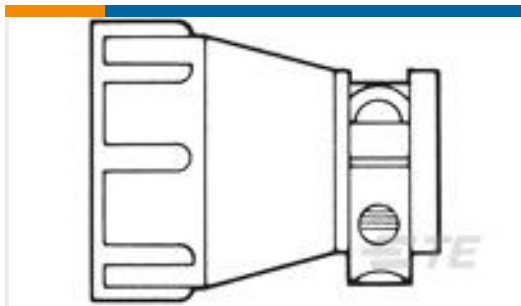
TE Part #487526-4
2.54mm FFC Connectors Receptacle Housing



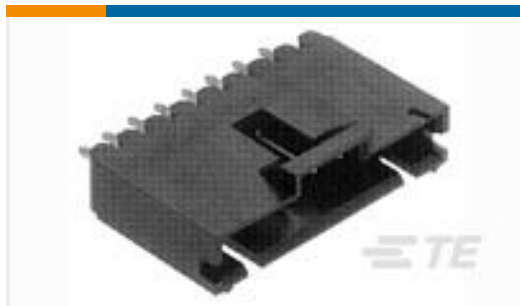
TE Part #3-66104-0
III+ SKT,24-20,TIN ,STRIP



TE Part #2-487406-3
FFC,RCPT CONTACT,STD PRESSURE



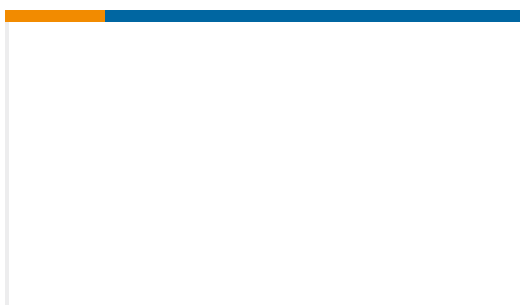
TE Part #1-206062-5
CABLE CLAMP KIT, BULK PKG



TE Part #6-103639-9
20 MTE HDR SRST LATCH .100CL



TE Part #206804-2
PLUG ASSY,50 POSN,AMPLIMITE



TE Part #4-1393048-6
RESOLVER V23401-T2014-B209

Documents

Product Drawings

III+ PIN,18-14,TIN-LEAD,STRIP

English

CAD Files

Customer View Model

ENG_CVM_CVM_1-66359-7_AG.2d_dxf.zip

English

3D PDF



3D

Customer View Model

[ENG_CVM_CVM_1-66359-7_AG.3d_igs.zip](#)

English

Customer View Model

[ENG_CVM_CVM_1-66359-7_AG.3d_stp.zip](#)

English

By downloading the CAD file I accept and agree to the [Terms and Conditions](#) of use.

Product Specifications

[Product Specification](#)

English