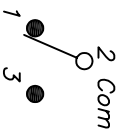


RECOMMENDED P.C.B. LAYOUT

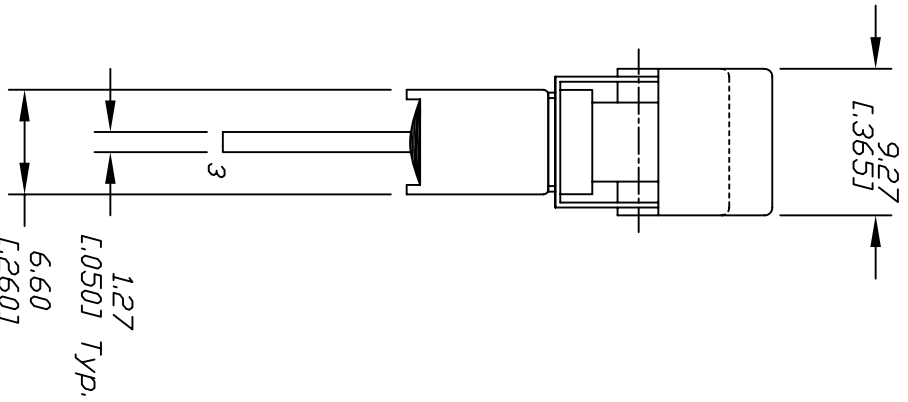
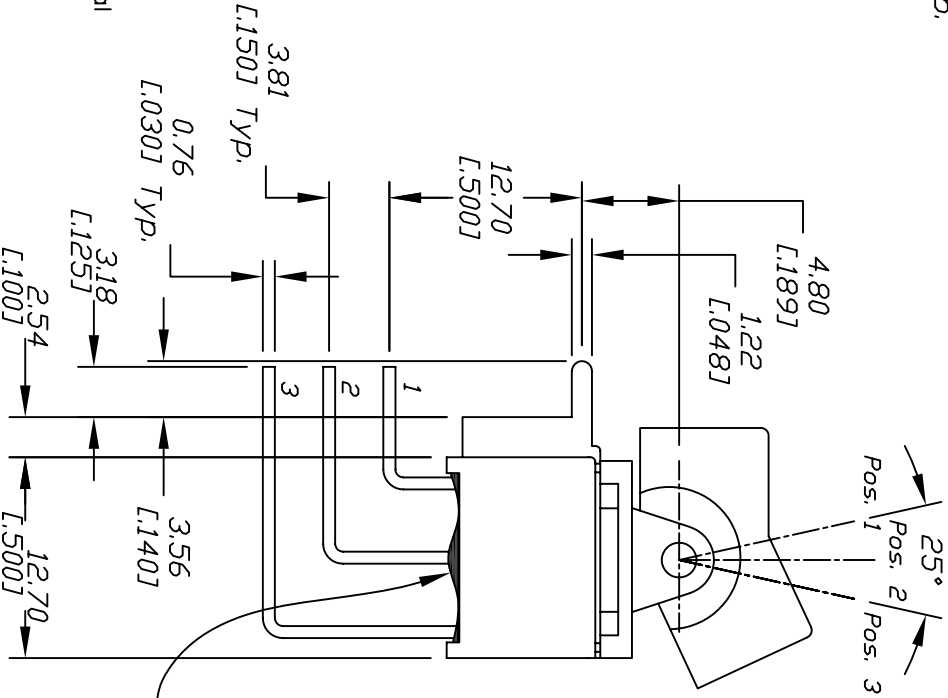
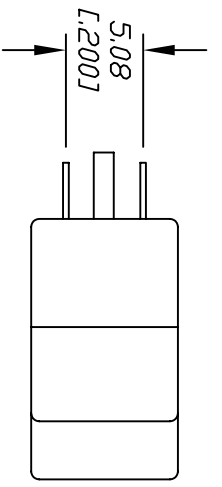


CIRCUIT: SPDT

SWITCH FUNCTION		
POS. 1	POS. 2	POS. 3
DN	NONE	DN
2-3	OPEN	2-1

NOTES:

1. ALL DIMENSIONS IN MM [INCH]
2. GENERAL TOLERANCE: X.XX=±0.4
X.XX=±0.25
3. TERM. NOS. FOR REF. ONLY
4. RATING: 5A@ 120V AC or 28V DC;
2A@ 250V AC
5. MATERIAL: FIXED TERMINAL & MOVING CONTACT
Copper Alloy w/SILVER PLATING
6. CONTACT RESISTANCE: 10mILLI Ohms max initial
@2-4VDC, 100mA for Ag & Au
7. ELECTRICAL LIFE: 50,000 make-and-break
cycles at full load.
8. INSULATION RESISTANCE: 1,000M ohm min.
9. DIELECTRIC STRENGTH: 1000V RMS @sea level
10. OPERATING TEMP.: -30°C to 85°C



E-SWITCH®

REV.	ECN NO.	DESCRIPTION	DATE	CHKD
C	15427	CHANGED DIM FROM 6.17	10/21/05	PH
B	12468	REVISED TO ADD NOTES 5-10	10/7/02	CJB

TITLE	SCALE	DATE	DR	DWG	REV
300A WSP-1 J1 BLK M7 QF	2:1	10/7/02	CJB	T301009	C

THE INFORMATION CONTAINED IN THIS DOCUMENT IS PROPRIETARY TO E-SWITCH AND IS NOT TO BE COPIED OR TRANSFERRED