

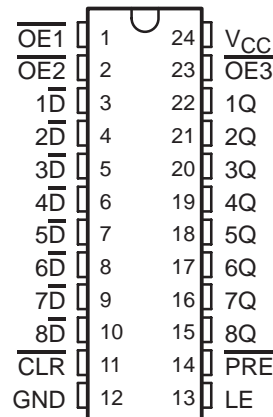
SN74BCT29846

8-BIT BUS-INTERFACE D-TYPE LATCH WITH 3-STATE OUTPUTS

SCBS023C – MARCH 1989 – REVISED APRIL 1994

- BiCMOS Process With CMOS Inputs and TTL Outputs Substantially Reduces Standby Current
- Input Has 50-Ω Pullup Resistor
- Bus-Structured Pinout
- Functionally Equivalent to SN74ALS29846 and AMD Am29846
- Provides Extra Data Width Necessary For Wider Address/Data Paths or Buses With Parity
- Power-Up High-Impedance State
- Buffered Control Inputs to Reduce DC Loading Effects
- Packaged in Standard Plastic 300-mil DIP (NT)

NT PACKAGE
(TOP VIEW)



description

The SN74BCT29846 features 3-state outputs designed specifically for driving highly capacitive or relatively low-impedance loads. It is particularly suitable for implementing buffer registers, I/O ports, bidirectional bus drivers, and working registers.

The eight latches of the SN74BCT29846 are transparent D-type latches. The SN74BCT29846 has inverting data (\overline{D}) inputs. Since clear (\overline{CLR}) and preset (\overline{PRE}) are independent of the clock, taking the \overline{CLR} input low will cause the eight Q outputs to go low. Taking the \overline{PRE} input low will cause the eight Q outputs to go high. When both \overline{PRE} and \overline{CLR} are taken low, the outputs will follow the preset condition.

The buffered output-enable ($\overline{OE1}$, $\overline{OE2}$, and $\overline{OE3}$) inputs can be used to place the eight outputs in either a normal logic state (high or low levels) or a high-impedance state. The outputs are also in the high-impedance state during power-up and power-down conditions. The outputs remain in the high-impedance state while the device is powered-down. In the high-impedance state, the outputs neither load nor drive the bus lines significantly. The high-impedance state and increased drive provide the capability to drive the bus lines in a bus-organized system without need for interface or pull-up components. The output enables do not affect the internal operation of the latches. Old data can be retained or new data can be entered while the outputs are in the high-impedance state.

The SN74BCT29846 is characterized for operation from 0°C to 70°C.

FUNCTION TABLE

INPUTS							OUTPUT
\overline{PRE}	\overline{CLR}	$\overline{OE1}$	$\overline{OE2}$	$\overline{OE3}$	LE	\overline{D}	Q
L	X	L	L	L	X	X	H
H	L	L	L	L	X	X	L
H	H	L	L	L	H	L	H
H	H	L	L	L	H	H	L
H	H	L	L	L	L	X	Q ₀
X	X	X	X	H	X	X	Z
X	X	X	H	X	X	X	Z
X	X	H	X	X	X	X	Z

PRODUCTION DATA information is current as of publication date. Products conform to specifications per the terms of Texas Instruments standard warranty. Production processing does not necessarily include testing of all parameters.



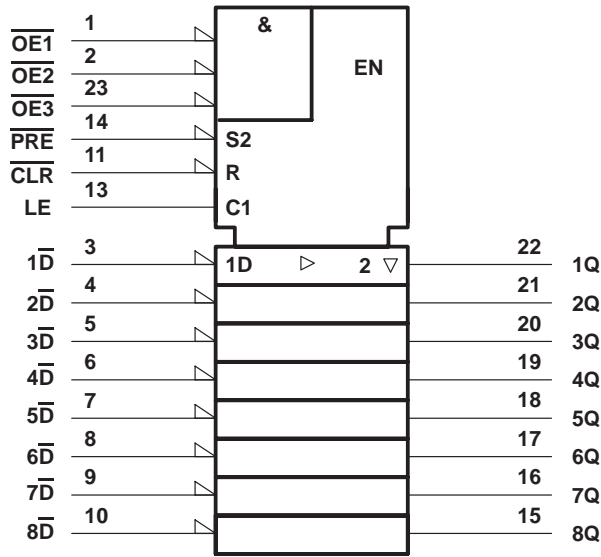
Copyright © 1994, Texas Instruments Incorporated

SN74BCT29846

8-BIT BUS-INTERFACE D-TYPE LATCH WITH 3-STATE OUTPUTS

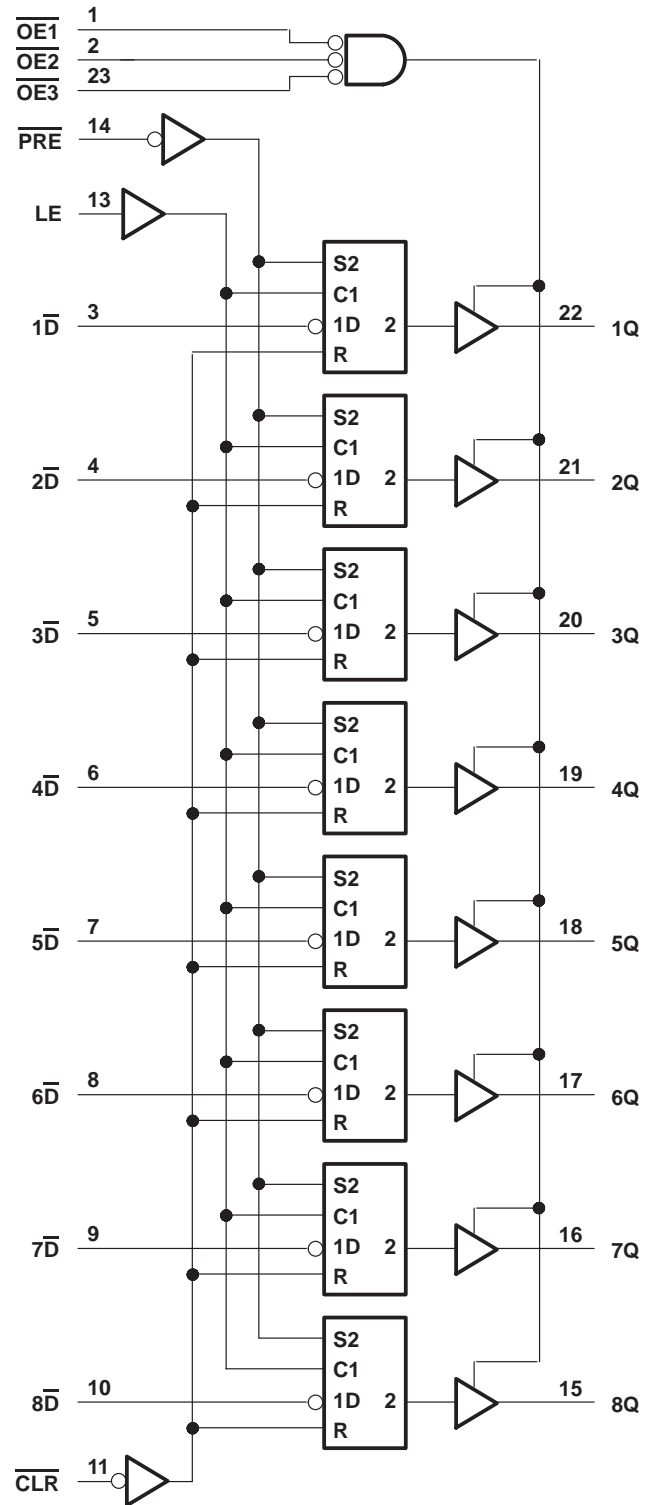
SCBS023C – MARCH 1989 – REVISED APRIL 1994

logic symbol†



† This symbol is in accordance with ANSI/IEEE Std 91-1984 and IEC Publication 617-12.

logic diagram (positive logic)



SN74BCT29846
8-BIT BUS-INTERFACE D-TYPE LATCH
WITH 3-STATE OUTPUTS

SCBS023C – MARCH 1989 – REVISED APRIL 1994

absolute maximum ratings over operating free-air temperature range (unless otherwise noted)†

Supply voltage, V_{CC}	7 V
Input voltage range	-0.5 V to 7 V
Voltage applied to a disabled 3-state output	5.5 V
Operating free-air temperature range	-0°C to 70°C
Storage temperature range	-65°C to 150°C

† Stresses beyond those listed under “absolute maximum ratings” may cause permanent damage to the device. These are stress ratings only and functional operation of the device at these or any other conditions beyond those indicated under “recommended operating conditions” is not implied. Exposure to absolute-maximum-rated conditions for extended periods may affect device reliability.

recommended operating conditions

	MIN	MAX	UNIT
V_{CC} Supply voltage	4.5	5.5	V
V_{IH} High-level input voltage	2		V
V_{IL} Low-level input voltage		0.8	V
I_{OH} High-level output current		-24	mA
I_{OL} Low-level output current		48	mA
T_A Operating free-air temperature	0	70	°C

electrical characteristics over recommended operating free-air temperature range (unless otherwise noted)

PARAMETER	TEST CONDITIONS	MIN	TYP‡	MAX	UNIT
V_{IK}	$V_{CC} = 4.5 V$, $I_I = -18 mA$			-1.2	V
V_{OH}	$V_{CC} = 4.5 V$	$I_{OH} = -15 mA$	2.4	3.2	V
		$I_{OH} = -24 mA$	2		
V_{OL}	$V_{CC} = 4.5 V$, $I_{OL} = 48 mA$		0.35	0.5	V
I_{OZH}	$V_{CC} = 5.5 V$, $V_O = 2.7 V$			20	mA
I_{OZL}	$V_{CC} = 5.5 V$, $V_O = 0.4 V$			-20	mA
I_I	$V_{CC} = 5.5 V$, $V_I = 7 V$			0.1	mA
I_{IH}	$V_{CC} = 5.5 V$, $V_I = 2.7 V$	-10		-75	µA
I_{IL}	$V_{CC} = 5.5 V$, $V_I = 0.4 V$			-0.2	mA
$I_{OS}§$	$V_{CC} = 5.5 V$, $V_O = 0$	-75		-275	mA
I_{CC}	$V_{CC} = 5.5 V$	Outputs high	3	7	mA
		Outputs low	24	35	
		Outputs disabled	3	7	

‡ All typical values are at $V_{CC} = 5 V$, $T_A = 25°C$.

§ Not more than one output should be shorted at a time and duration of the short circuit should not exceed one second.



SN74BCT29846
8-BIT BUS-INTERFACE D-TYPE LATCH
WITH 3-STATE OUTPUTS

SCBS023C – MARCH 1989 – REVISED APRIL 1994

timing requirements over recommended ranges of supply voltage and operating free-air temperature (unless otherwise noted)

		MIN	MAX	UNIT
t_w	Pulse duration	$\overline{\text{PRE}}$ low	7	ns
		$\overline{\text{CLR}}$ low	5	
		LE high	4	
t_{su}	Setup time before LE \downarrow	Data	1.5	ns
		$\overline{\text{PRE}}$ or $\overline{\text{CLR}}$, inactive state	2	
t_h	Hold time, data after LE \downarrow	3.5		ns

switching characteristics over recommended ranges of supply voltage and operating free-air temperature, $C_L = 50$ pF (unless otherwise noted) (see Note 1)

PARAMETER	FROM (INPUT)	TO (OUTPUT)	$V_{CC} = 5\text{ V},$ $T_A = 25^\circ\text{C}$			MIN	MAX	UNIT
			MIN	TYP	MAX			
t_{PLH}	$\overline{\text{D}}$	Any Q	1.5	5.7	8	1.5	9	ns
t_{PHL}			1.5	4.5	7	1.5	8	
t_{PLH}	$\overline{\text{LE}}$	Any Q	1.5	6	8	1.5	10	ns
t_{PHL}			1.5	6	8	1.5	10	
t_{PLH}	$\overline{\text{PRE}}$	Any Q	1.5	6	11	1.5	12	ns
t_{PHL}			1.5	6	11	1.5	12	
t_{PLH}	$\overline{\text{CLR}}$	Any Q	1.5	6	11	1.5	12	ns
t_{PHL}			1.5	6	11	1.5	12	
t_{PZH}	$\overline{\text{OE}}$	Any Q	2	10	13	2	15	ns
t_{PZL}			2	10	13	2	15	
t_{PHZ}	$\overline{\text{OE}}$	Any Q	2	6	8	2	10	ns
t_{PLZ}			2	6	8	2	10	

NOTE 1: Load circuits and voltage waveforms are shown in Section 1.



IMPORTANT NOTICE

Texas Instruments Incorporated and its subsidiaries (TI) reserve the right to make corrections, modifications, enhancements, improvements, and other changes to its products and services at any time and to discontinue any product or service without notice. Customers should obtain the latest relevant information before placing orders and should verify that such information is current and complete. All products are sold subject to TI's terms and conditions of sale supplied at the time of order acknowledgment.

TI warrants performance of its hardware products to the specifications applicable at the time of sale in accordance with TI's standard warranty. Testing and other quality control techniques are used to the extent TI deems necessary to support this warranty. Except where mandated by government requirements, testing of all parameters of each product is not necessarily performed.

TI assumes no liability for applications assistance or customer product design. Customers are responsible for their products and applications using TI components. To minimize the risks associated with customer products and applications, customers should provide adequate design and operating safeguards.

TI does not warrant or represent that any license, either express or implied, is granted under any TI patent right, copyright, mask work right, or other TI intellectual property right relating to any combination, machine, or process in which TI products or services are used. Information published by TI regarding third-party products or services does not constitute a license from TI to use such products or services or a warranty or endorsement thereof. Use of such information may require a license from a third party under the patents or other intellectual property of the third party, or a license from TI under the patents or other intellectual property of TI.

Reproduction of TI information in TI data books or data sheets is permissible only if reproduction is without alteration and is accompanied by all associated warranties, conditions, limitations, and notices. Reproduction of this information with alteration is an unfair and deceptive business practice. TI is not responsible or liable for such altered documentation. Information of third parties may be subject to additional restrictions.

Resale of TI products or services with statements different from or beyond the parameters stated by TI for that product or service voids all express and any implied warranties for the associated TI product or service and is an unfair and deceptive business practice. TI is not responsible or liable for any such statements.

TI products are not authorized for use in safety-critical applications (such as life support) where a failure of the TI product would reasonably be expected to cause severe personal injury or death, unless officers of the parties have executed an agreement specifically governing such use. Buyers represent that they have all necessary expertise in the safety and regulatory ramifications of their applications, and acknowledge and agree that they are solely responsible for all legal, regulatory and safety-related requirements concerning their products and any use of TI products in such safety-critical applications, notwithstanding any applications-related information or support that may be provided by TI. Further, Buyers must fully indemnify TI and its representatives against any damages arising out of the use of TI products in such safety-critical applications.

TI products are neither designed nor intended for use in military/aerospace applications or environments unless the TI products are specifically designated by TI as military-grade or "enhanced plastic." Only products designated by TI as military-grade meet military specifications. Buyers acknowledge and agree that any such use of TI products which TI has not designated as military-grade is solely at the Buyer's risk, and that they are solely responsible for compliance with all legal and regulatory requirements in connection with such use.

TI products are neither designed nor intended for use in automotive applications or environments unless the specific TI products are designated by TI as compliant with ISO/TS 16949 requirements. Buyers acknowledge and agree that, if they use any non-designated products in automotive applications, TI will not be responsible for any failure to meet such requirements.

Following are URLs where you can obtain information on other Texas Instruments products and application solutions:

Products

Amplifiers	amplifier.ti.com
Data Converters	dataconverter.ti.com
DSP	dsp.ti.com
Clocks and Timers	www.ti.com/clocks
Interface	interface.ti.com
Logic	logic.ti.com
Power Mgmt	power.ti.com
Microcontrollers	microcontroller.ti.com
RFID	www.ti-rfid.com
RF/IF and ZigBee® Solutions	www.ti.com/lprf

Applications

Audio	www.ti.com/audio
Automotive	www.ti.com/automotive
Broadband	www.ti.com/broadband
Digital Control	www.ti.com/digitalcontrol
Medical	www.ti.com/medical
Military	www.ti.com/military
Optical Networking	www.ti.com/opticalnetwork
Security	www.ti.com/security
Telephony	www.ti.com/telephony
Video & Imaging	www.ti.com/video
Wireless	www.ti.com/wireless

Mailing Address: Texas Instruments, Post Office Box 655303, Dallas, Texas 75265
Copyright © 2008, Texas Instruments Incorporated