

NOTES:

1. MATERIALS AND FINISHES:

- HOUSING WITH BODY; - BRASS, GOLD PLATING
- CONTACT, COVER, RING; - BeCu, GOLD PLATING
- CONTACT, - PTFE, NATURAL
- INSULATORS;

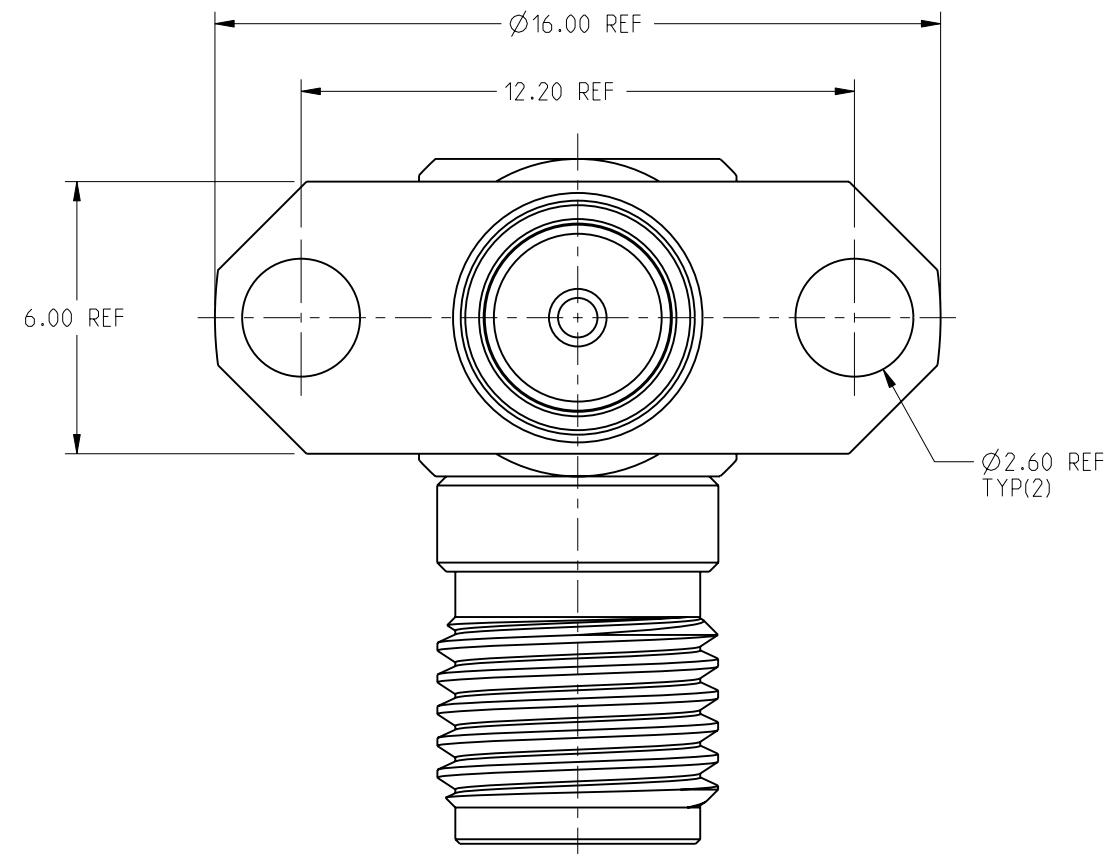
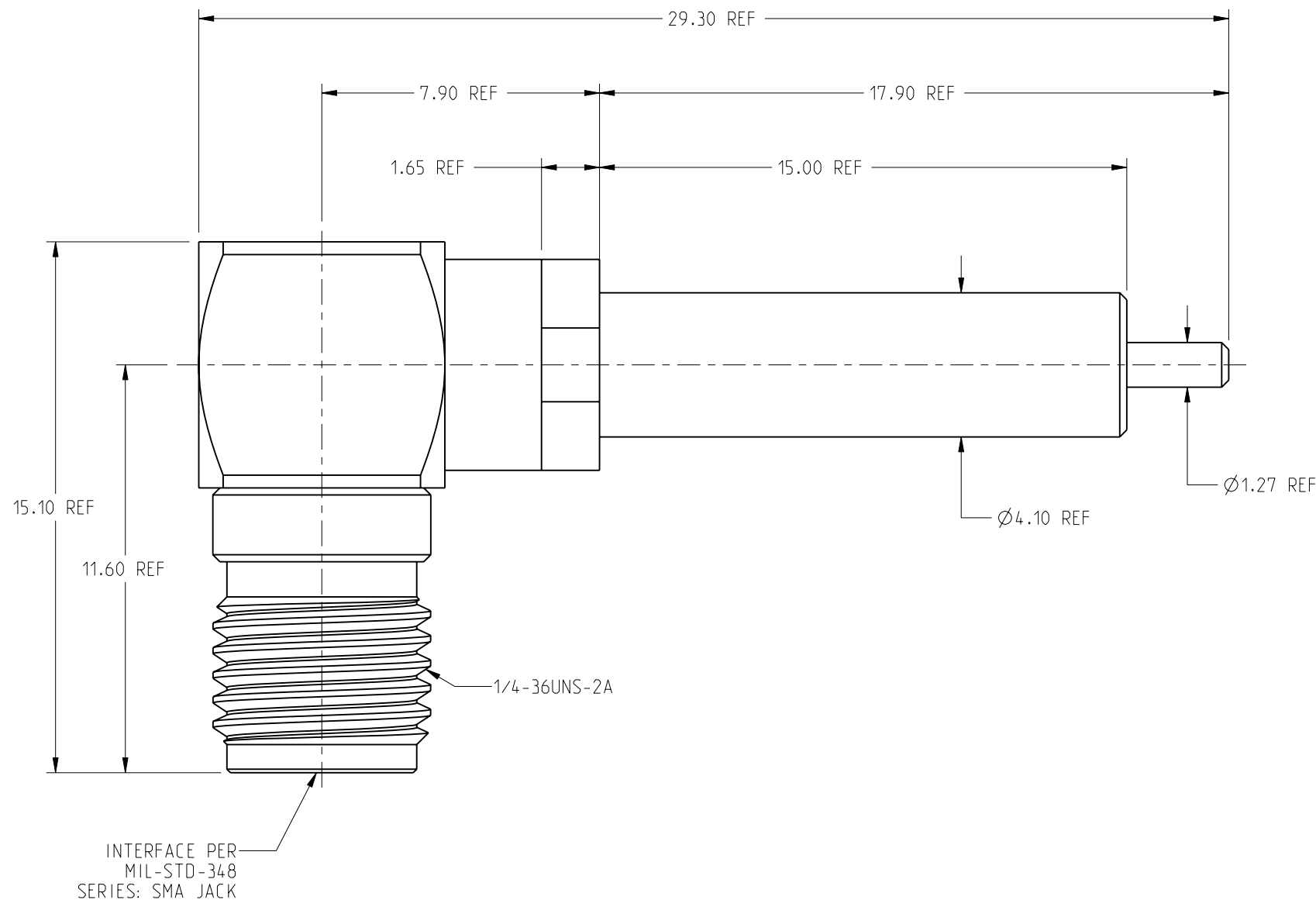
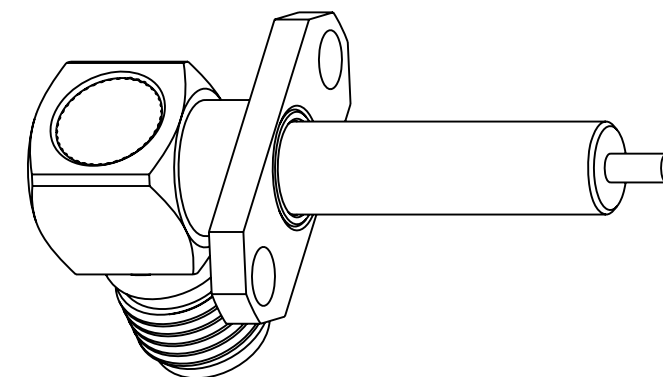
2. ELECTRICAL:

- A. IMPEDANCE: 50 OHM
- B. FREQUENCY RANGE: DC-6 GHz
- C. VSWR (RETURN LOSS): 1.30 MAX.
- D. DIELECTRIC WITHSTANDING VOLTAGE: 1000 VRMS, MIN.
- E. OPERATING VOLTAGE: 335 VRMS, MIN.
- F. INSULATION RESISTANCE: 5000 MΩ MIN.

3. MECHANICAL:

- A. DURABILITY: 500 CYCLES MIN.
- B. TEMPERATURE RANGE: -65°C TO +165°C

REVISIONS				
REV	DESCRIPTION	DATE	ECN	BY
A	RELEASE TO MFG.	01-May-04	--	--
B	----	20-Sep-06	--	--
C	SYNC THE DRAWING, ADD VSWR SPEC	2-Aug-21		SH



CUSTOMER OUTLINE DRAWING
ALL OTHER SHEETS ARE FOR INTERNAL USE ONLY

NOTICE: These drawings, specifications, or other data (1) are, and remain the property of Amphenol corp. (2) must be returned upon request; and (3) are confidential and not to be disclosed to any person other than those to whom they are given by Amphenol Corp. The furnishing of these drawings, specifications, or other data by Amphenol Corp., or to any other person to anyone for any purpose is not to be regarded by implication or otherwise in any manner licensing, granting rights to permitting such holder or any other person to manufacture, use or sell any product, process or design, patented or otherwise, that may in any way be related to or disclosed by said drawings, specifications, or other data.

UNLESS OTHERWISE SPECIFIED
DIMENSIONS ARE METRIC (INCHES) AND TOLERANCES ARE:
 <0.5mm = ±0.05mm [$<0.020 = \pm 0.002$]
 >0.5 - 6mm = ±0.1mm [$>0.020 - 0.236 = \pm 0.004$]
 >6.00 - 30mm = ±0.2mm [$>0.236 - 1.181 = \pm 0.008$]
 >30.00 - 120mm = ±0.3mm [$>1.181 - 4.725 = \pm 0.012$]

MATERIAL: SEE NOTES
 ENGR.1: WIKI
 ENGR.2:
 DATE: 15-Jul-21

TITLE: SMA R/A PANEL JACK
 SHEET NO. 2 OF 2
 SCALE: 2.0:1.0

Amphenol RF
 DRAWING NO. SMA6552F1-3GT50G-50
 ITEM NO. 116552AAC02GA5F
 PART NO. 132275
 REV: C

THIRD ANGLE PROJ.

REFERENCE: EAR#

ANGLES = ±1°