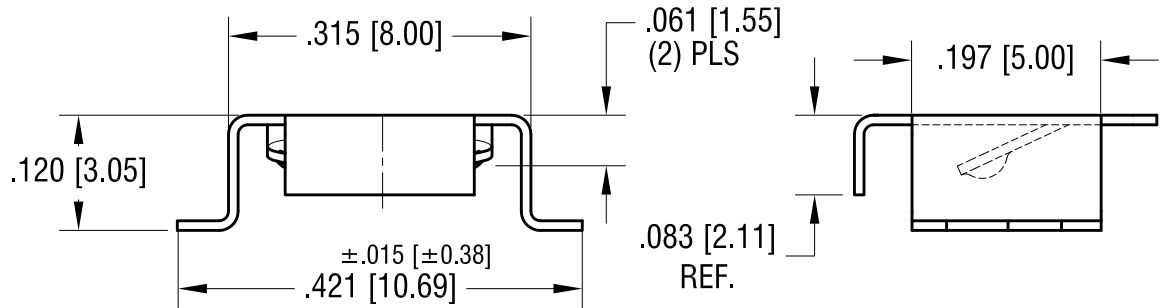
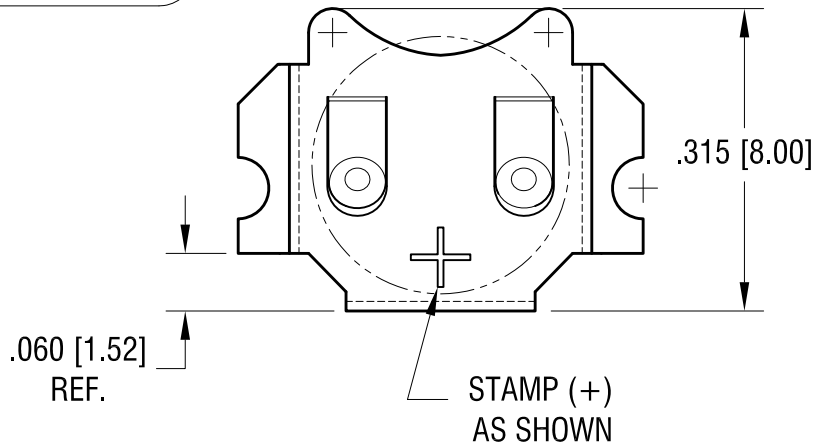
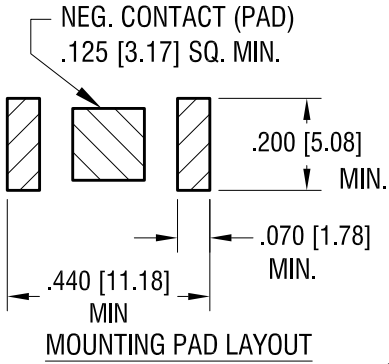


THIS DOCUMENT IS THE PROPERTY OF KEYSTONE ELECTRONICS CORP. AND SHALL NOT BE REPRODUCED, DISTRIBUTED OR USED AS A BASIS FOR MANUFACTURE WITHOUT PRIOR WRITTEN PERMISSION FROM KEYSTONE ELECTRONICS CORP.

ACTUAL SIZE



2.29.24	NO CHANGES TO PART	C
1.04.22	CHANGE AS PER ECN 22-001	B
12.30.16	CHANGE AS PER ECN 16-128	A
DATE	DESCRIPTION	REV.

<b>KEYSTONE ELECTRONICS CORP.</b>			
www.keyelco.com • NEW HYDE PARK, NY 11040 • Tel (516) 328-7500			
PART NAME 6.8mm SM BUTTON CELL RETAINER			
MATERIAL .010 [0.25] TH'K PHOSPHOR BRONZE			
FINISH MATTE TIN PLATE		DRN BY NT	DATE 4.07.09
		APP'D RH	SCALE 5X
TOLERANCES INCH [MM]	CODE	DWG NO.	
DECIMAL $\pm .010 [\pm 0.25]$	C	3098	
ANGULAR $\pm 1^\circ$			
UNLESS OTHERWISE SPECIFIED			