

63837-1 ✓ ACTIVE

FASTON | FASTON 110

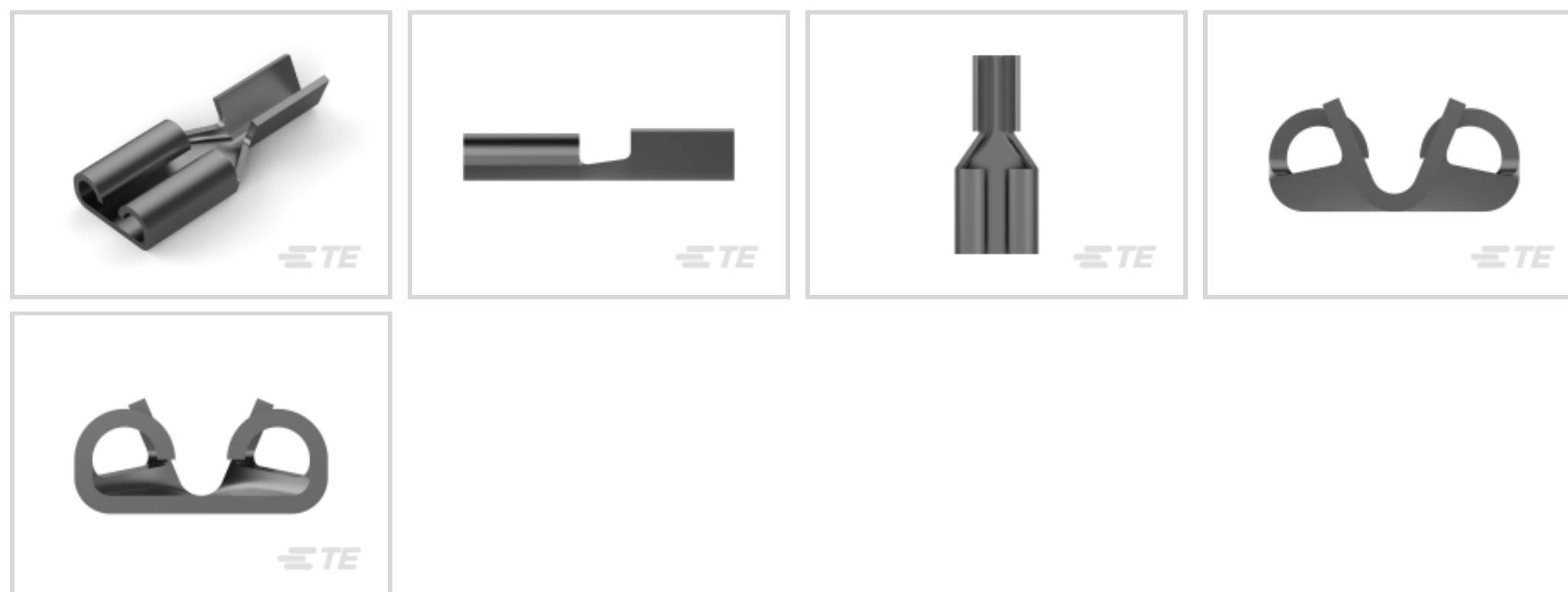
TE Internal #: 63837-1

Receptacle, 26 – 22 AWG Wire Size, .12 – .32 mm<sup>2</sup> Wire Size, 254 – 642 CMA Wire Size, Mating Tab Width 2.8 mm [.11 in], FASTON 110, Quick Disconnects

[View on TE.com >](#)



Terminals & Splices > Quick Disconnects



Quick Disconnect Terminal Type: **Receptacle**

Wire Size: **254 – 642 CMA**

Mating Tab Width: **2.8 mm [.11 in]**

## Features

### Configuration Features

Connection Capacity	Single
Compatible With Wire & Cable Type	Discrete Wire

### Contact Features

Quick Disconnect Terminal Type	Receptacle
Mating Tab Width	2.8 mm [.11 in]
Mating Tab Thickness	.51 mm [.02 in]
Terminal Orientation	Straight
Contact Base Material	Brass
Terminal Plating Material	Tin
Crimp Type	F-Crimp
Barrel Type	Open

### Termination Features

Product Terminates To	Wire & Cable
-----------------------	--------------

### Mechanical Attachment

Wire Insulation Support	Without
-------------------------	---------



Mating Retention Type	Dimple
-----------------------	--------

### Dimensions

Terminal Material Thickness	.25 mm[.01 in]
Product Length	8.31 mm[.327 in]
Wire Size	254 – 642 CMA

### Usage Conditions

Insulation Option	Uninsulated
Operating Temperature Range	-40 – 105 °C[-40 – 221 °F]

### Industry Standards

Compatible With Agency/Standards Products	UL
---	----

### Packaging Features

Packaging Quantity	50000
Packaging Method	Reel

## Product Compliance

[For compliance documentation, visit the product page on TE.com>](#)

EU RoHS Directive 2011/65/EU	Compliant
EU ELV Directive 2000/53/EC	Compliant
China RoHS 2 Directive MIIT Order No 32, 2016	No Restricted Materials Above Threshold
EU REACH Regulation (EC) No. 1907/2006	Current ECHA Candidate List: JUNE 2024 (241) Candidate List Declared Against: JUNE 2024 (241) Does not contain REACH SVHC
Halogen Content	Low Halogen - Br, Cl, F, I < 900 ppm per homogenous material. Also BFR/CFR/PVC Free
Solder Process Capability	Not applicable for solder process capability

#### Product Compliance Disclaimer

This information is provided based on reasonable inquiry of our suppliers and represents our current actual knowledge based on the information they provided. This information is subject to change. The part numbers that TE has identified as EU RoHS compliant have a maximum concentration of 0.1% by weight in homogenous materials for lead, hexavalent chromium, mercury, PBB, PBDE, DBP, BBP, DEHP, DIBP, and 0.01% for cadmium, or qualify for an exemption to these limits as defined in the Annexes of Directive 2011/65/EU (RoHS2). Finished electrical and electronic equipment products will be CE marked as required by Directive 2011/65/EU. Components may not be CE marked. Additionally, the part numbers that TE has identified as EU ELV compliant have a maximum concentration of 0.1% by weight in homogenous materials for lead, hexavalent chromium, and mercury, and 0.01% for cadmium, or qualify for an exemption to these limits as defined in the Annexes of Directive 2000/53/EC (ELV). Regarding the REACH Regulation, the information TE provides on SVHC in articles for this part number is based on the latest European Chemicals Agency (ECHA) 'Guidance on

requirements for substances in articles' posted at this URL: <https://echa.europa.eu/guidance-documents/guidance-on-reach>

## Compatible Parts



TE Part # 2150483-1  
OCEAN\_2.0\_Applicator-E-055F-REM



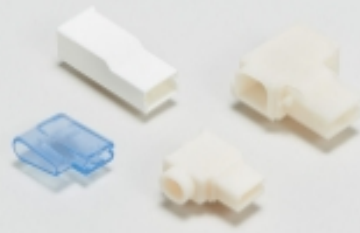
TE Part # 2150483-2  
OCEAN\_2.0\_Applicator-E-055F-REA




KIT  
REPRESENTATION ONLY

TE Part # 7-2150483-7  
OCEAN\_2.0\_SPARE\_PART\_KIT-055F


## Also in the Series | FASTON 110




Crimp Terminal Housings(13)



Insertion & Extraction Tools(1)



PCB Terminals(22)



Quick Disconnects(168)

## Customers Also Bought



TE Part #1-1622820-3  
3520 18R 5%



TE Part #2-6609104-4  
CORCOM P SERIES MULTI-FUNCTION INLET FIL



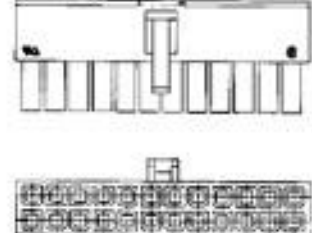
TE Part #1658644-1  
HDP-20,RCPT,SIZE 2, 15 POSN,CL



TE Part #6-440129-2  
HPI 2.0MM,HSG,2POS,BLACK



TE Part #2-1419130-4  
TSC-112L3H,000



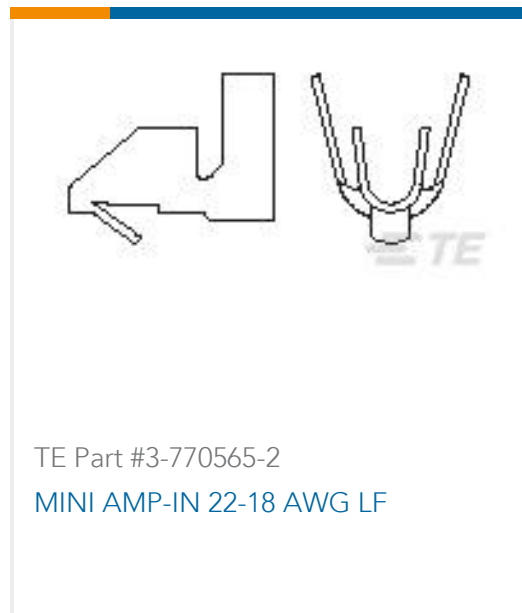
TE Part #1-1586019-2  
12P RCPT VAL-U-LOK V0



TE Part #61818-1  
110 FASTON REC 26-22 AWG BR



TE Part #1217281-2  
FF 110 REC 24-20AWG TPBR



## Documents

### Product Drawings

[110 FASTON REC 26-22 AWG TPBR](#)

English

### CAD Files

Customer View Model

[ENG\\_CVM\\_CVM\\_63837-1\\_C.2d\\_dxf.zip](#)

English

[3D PDF](#)

3D

Customer View Model

[ENG\\_CVM\\_CVM\\_63837-1\\_C.3d\\_igs.zip](#)

English

Customer View Model

[ENG\\_CVM\\_CVM\\_63837-1\\_C.3d\\_stp.zip](#)

English

By downloading the CAD file I accept and agree to the [Terms and Conditions](#) of use.

### Datasheets & Catalog Pages

[82004 FASTON Terminals \(Insulated and Uninsulated\) Catalog - FASTON Receptacles Section](#)

English

### Product Specifications

[Application Specification](#)

English

### Agency Approvals

[UL Report](#)

English