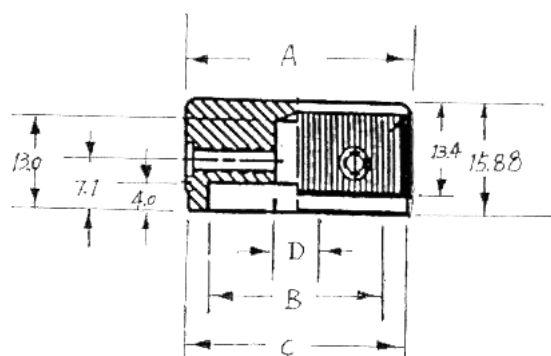
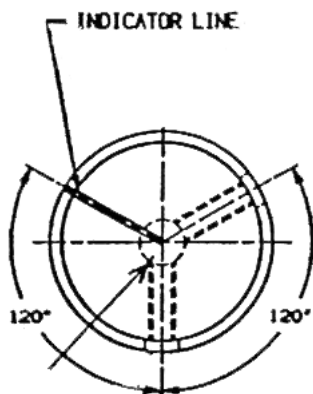


Knob



Specifications:

Knob / Dial Style : Round with Indicator Line
 Shaft Type : Round
 Knob Material : Aluminium



Part Number Table

Description	A	B	C	D	Colour	Part Number
Knob, AL, 12.7mm	12.7	9.5	11.3	3.2	Silver	KB00015
					Black	KB00017
				6.4	Silver	KB00014
					Black	KB00016
Knob, AL, 18.8mm	18.8	15	17.4	3.2	Silver	KB00019
					Black	KB00021
				6.4	Silver	KB00018
					Black	KB00020
Knob, AL, 23.8MM	23.8	18	22.4	6.4	Silver	KB00022
					Black	KB00023
Knob, AL, 31.8MM	31.8	25	30.4		Silver	KB00012
					Black	KB00013

Dimensions: Millimetres

Important Notice : This data sheet and its contents (the "Information") belong to the members of the Premier Farnell group of companies (the "Group") or are licensed to it. No licence is granted for the use of it other than for information purposes in connection with the products to which it relates. No licence of any intellectual property rights is granted. The Information is subject to change without notice and replaces all data sheets previously supplied. The Information supplied is believed to be accurate but the Group assumes no responsibility for its accuracy or completeness, any error in or omission from it or for any use made of it. Users of this data sheet should check for themselves the Information and the suitability of the products for their purpose and not make any assumptions based on information included or omitted. Liability for loss or damage resulting from any reliance on the Information or use of it (including liability resulting from negligence or where the Group was aware of the possibility of such loss or damage arising) is excluded. This will not operate to limit or restrict the Group's liability for death or personal injury resulting from its negligence. Multicomp is the registered trademark of the Group. © Premier Farnell plc 2012.