

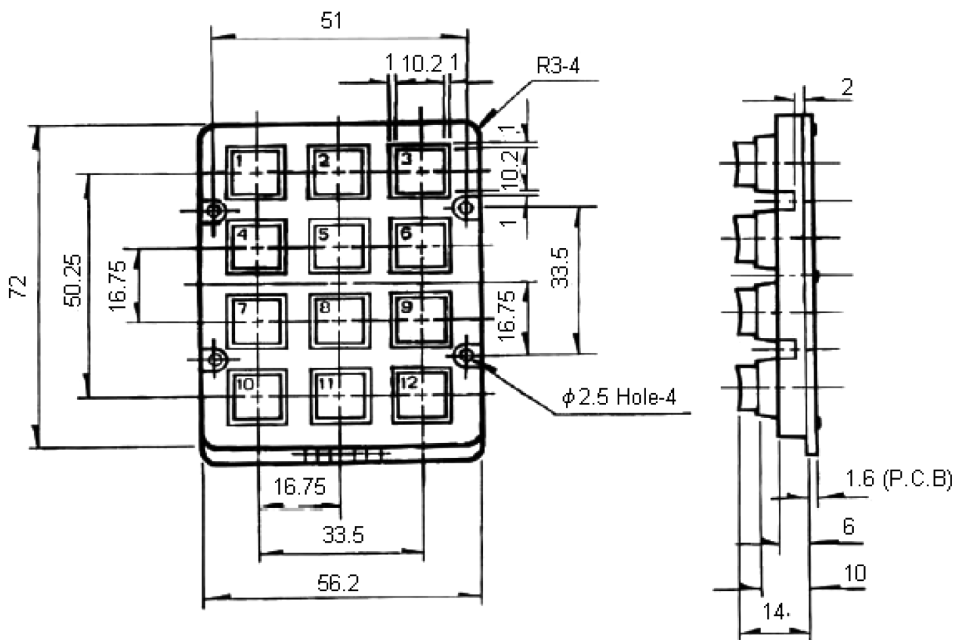
# Keypad

## Plastic, IP67



### Specifications:

Contact Rating	: 20mA, 24V DC
Max. Contact Resistance	: 200Ω
Life	: 1,000,000 cycles per key
Operating Temp.	: -20°C to +60°C
Storage Temp.	: -40°C to +65°C
Colour	: Black
Material	: Plastic
Waterproofing	: Water Proof
Keypad Array	: 3 × 4
Keypad Output	: Matrix
Panel Cutout Width	: 56.2mm
Panel Cutout Height	: 72mm
No. of Keys	: 12
External Length / Height	: 10mm
Fixing Centres L × W	: 51.2mm × 33.5mm
IP / NEMA Rating	: IP67
Operating Force	: 1.18N
Travel	: 2mm
Actuating Force	: 120 ±30g
Stroke	: 2 ±0.5mm



Dimensions : Millimetres

[www.element14.com](http://www.element14.com)  
[www.farnell.com](http://www.farnell.com)  
[www.newark.com](http://www.newark.com)

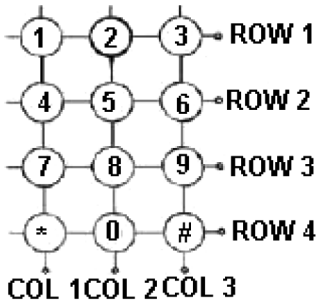


# Keypad

## Plastic, IP67



### Standard Matrix Circuit Diagram:



Output Arrangement	
Output Pin Number	Symbol
1	COL 2
2	ROW 1
3	COL 1
4	ROW 4
5	COL 3
6	ROW 3
7	ROW 2

### Part Number Table

Description	Part Number
Keypad, IP67 Black Plastic 3 × 4	MCAK207NBBWWP

**Important Notice :** This data sheet and its contents (the "Information") belong to the members of the Premier Farnell group of companies (the "Group") or are licensed to it. No licence is granted for the use of it other than for information purposes in connection with the products to which it relates. No licence of any intellectual property rights is granted. The Information is subject to change without notice and replaces all data sheets previously supplied. The Information supplied is believed to be accurate but the Group assumes no responsibility for its accuracy or completeness, any error in or omission from it or for any use made of it. Users of this data sheet should check for themselves the Information and the suitability of the products for their purpose and not make any assumptions based on information included or omitted. Liability for loss or damage resulting from any reliance on the Information or use of it (including liability resulting from negligence or where the Group was aware of the possibility of such loss or damage arising) is excluded. This will not operate to limit or restrict the Group's liability for death or personal injury resulting from its negligence. Multicomp is the registered trademark of the Group. © Premier Farnell plc 2012.

www.element14.com  
 www.farnell.com  
 www.newark.com

