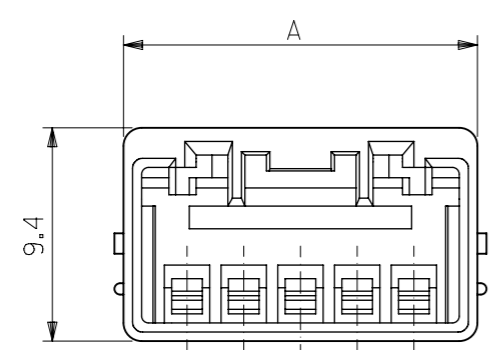
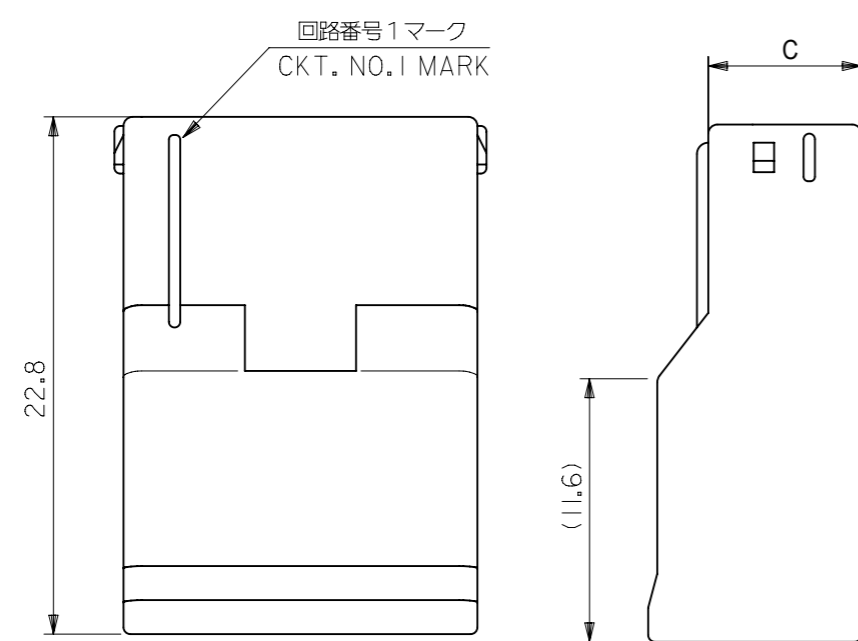
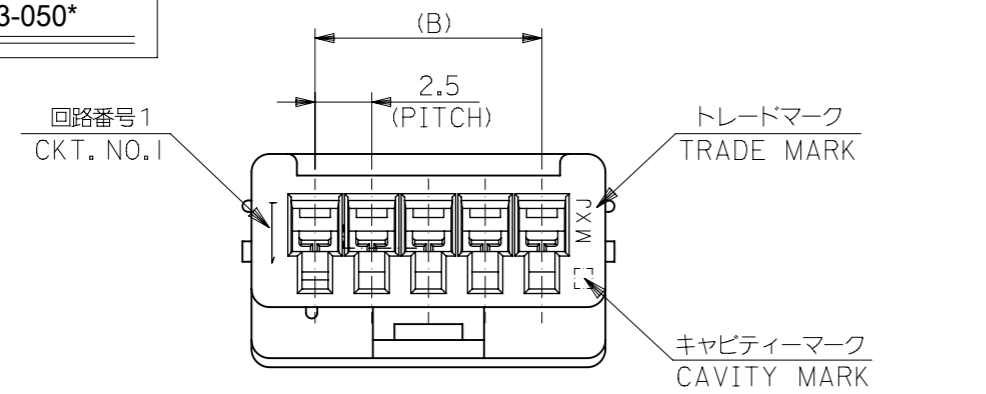
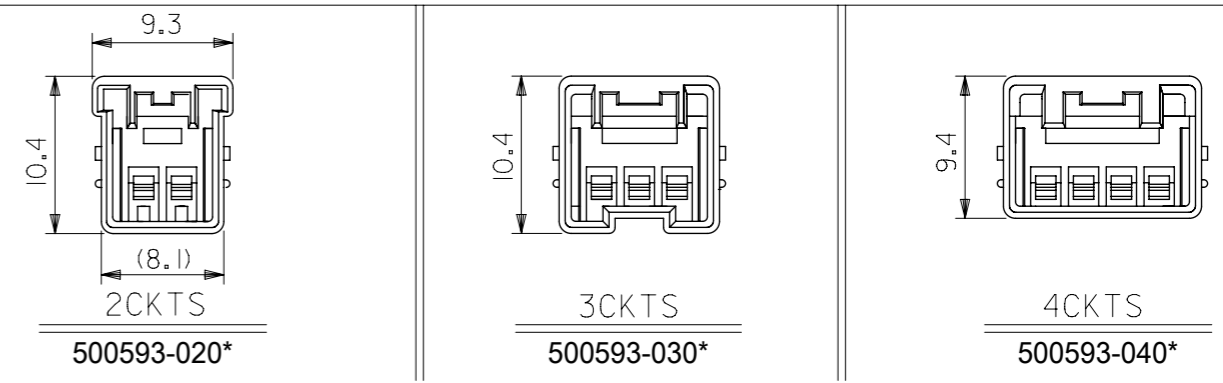


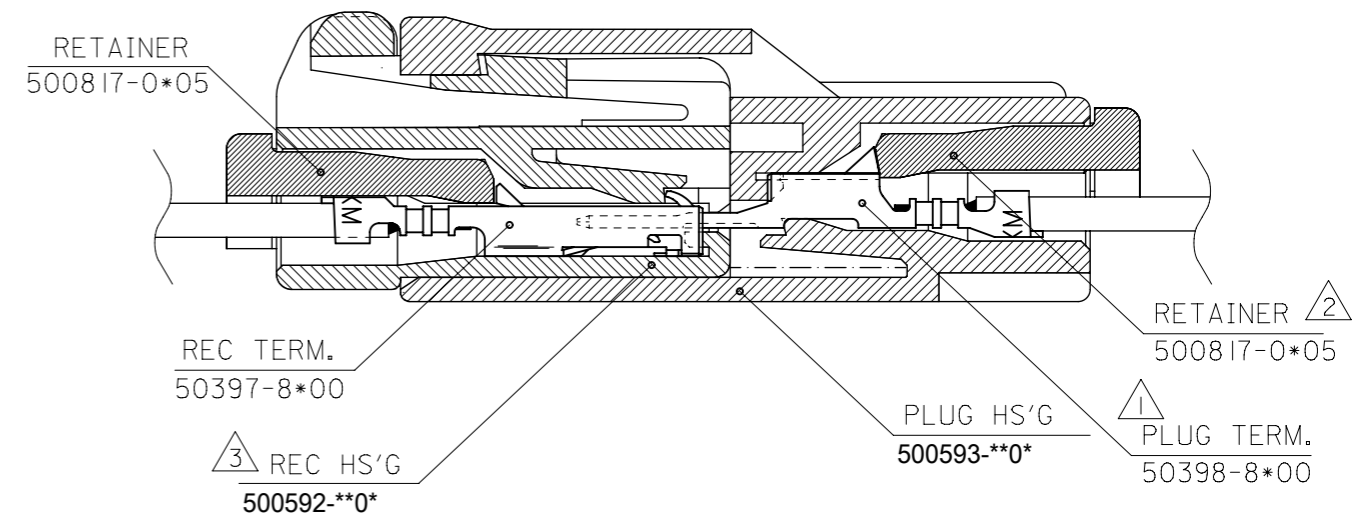
SHAPE OF  
500593-050\*



4極以下の極数レイアウト図  
LAYOUT OF 2/3/4CKTS.



ターミナル装着状態図  
TERMINAL ASSEMBLY DRAWING



注記  
NOTES

- ① 適合ターミナル：50398シリーズ  
APPLICABLE TERMINAL：50398 SERIES
- ② 適合リテーナー：500817シリーズ  
APPLICABLE RETAINER：500817 SERIES
- ③ 嵌合相手：500592シリーズ  
MATE WITH：500592 SERIES
- 4. 材質：PBT (UL94V-0)  
MATERIAL：PBT(UL94V-0)

5. MATERIAL NO.は以下の内容を示す。  
MATERIAL NO.:


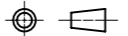
500593-**0*	色
極数	COLOR
CKT	0: 自然色 NATURAL
	1: 黒 BLACK
	2: 赤 RED
	3: 黄色 YELLOW
	4: 青 BLUE
	6: 緑 GREEN

500593-\*\*0\* MODEL NO.

THIS DRAWING CONTAINS INFORMATION THAT IS PROPRIETARY TO MOLEX ELECTRONIC TECHNOLOGIES, LLC AND SHOULD NOT BE USED WITHOUT WRITTEN PERMISSION											
DIMENSION UNITS	SCALE	CURRENT REV DESC: REMOVED OBSOLETE PART NUMBERS AS PER PCN#512606.									
mm	1:1	<div style="text-align: center; font-size: 2em; font-weight: bold;">molex</div> <p>2.5MM WIRE TO WIRE CONN. PLUG HOUSING</p> <p>PRODUCT CUSTOMER DRAWING</p>									
GENERAL TOLERANCES (UNLESS SPECIFIED)											
ANGULAR TOL	± 3.0°										
4 PLACES	± 0.2										
3 PLACES	± 0.25										
2 PLACES	± 0.3	EC NO: 764691	DRWN: RAVINR1	2023/09/05	DOCUMENT NUMBER				DOC TYPE	DOC PART	REVISION
1 PLACE	±	CHK'D: GGA	2023/10/13	2023/10/13	SD-500593-001				PSD	001	C2
0 PLACES	±	APPR: GGA	INITIAL REVISION:		DRWN: U.MUMEDA		2015/04/27	SHEET NUMBER			
DRAFT WHERE APPLICABLE MUST REMAIN WITHIN DIMENSIONS		THIRD ANGLE PROJECTION	DRAWING	SERIES	MATERIAL NUMBER	CUSTOMER		1 OF 2			
			A3-SIZE	500593	SEE CHART	GENERAL MARKET					



500592-080*	500817-0805	6.75	17.5	23.1	8	---	---	---	500593-0800	500593-***
└ -070*	└ -0705	└	15	20.6	7	---	---	---	└ -0700	
└ -060*	└ -0605	└	12.5	18.1	6	---	---	---	└ -0600	
└ -050*	└ -0505		10	15.6	5	---	---	---	└ -0500	
└ -040*	└ -0405	6.75	7.5	13.1	4	---	---	---	└ -0400	
└ -030*	└ -0305	7.75	5	10.6	3	---	---	---	└ -0300	
500592-020*	500817-0205	7.75	2.5	8.1	2	500593-0204	500593-0202	500593-0201	500593-0200	MODEL NO.
MATE WITH	CONFORTABLE-RETAINER	C	B	A	CKT.	BLUE	RED	BLACK	NATURAL	

THIS DRAWING CONTAINS INFORMATION THAT IS PROPRIETARY TO MOLEX ELECTRONIC TECHNOLOGIES, LLC AND SHOULD NOT BE USED WITHOUT WRITTEN PERMISSION									
DIMENSION UNITS		SCALE		CURRENT REV DESC: REMOVED OBSOLETE PART NUMBERS AS PER PCN#512606.					
mm		3:1		 2.5MM WIRE TO WIRE CONN. PLUG HOUSING PRODUCT CUSTOMER DRAWING					
GENERAL TOLERANCES (UNLESS SPECIFIED)									
ANGULAR TOL		± 3.0 °		EC NO: 764691		2023/09/05		DOCUMENT NUMBER	
4 PLACES		± 0.2		DRWN: RAVINR1		2023/10/13		DOC TYPE	
3 PLACES		± 0.25		CHK'D: GGA		2023/10/13		DOC PART	
2 PLACES		± 0.3		APPR: GGA		2023/10/13		REVISION	
1 PLACE		±		INITIAL REVISION:		2005/04/07		SD-500593-001	
0 PLACES		±		DRWN: U.MUMEDA		2015/04/27		PSD 001 C2	
DRAFT WHERE APPLICABLE MUST REMAIN WITHIN DIMENSIONS		THIRD ANGLE PROJECTION		DRAWING		SERIES		MATERIAL NUMBER	
				A3-SIZE		500593		SEE CHART	
				GENERAL MARKET		CUSTOMER		SHEET NUMBER	
								2 OF 2	

DOCUMENT STATUS	P1	RELEASE DATE	2023/10/13	08:26:11
-----------------	----	--------------	------------	----------