

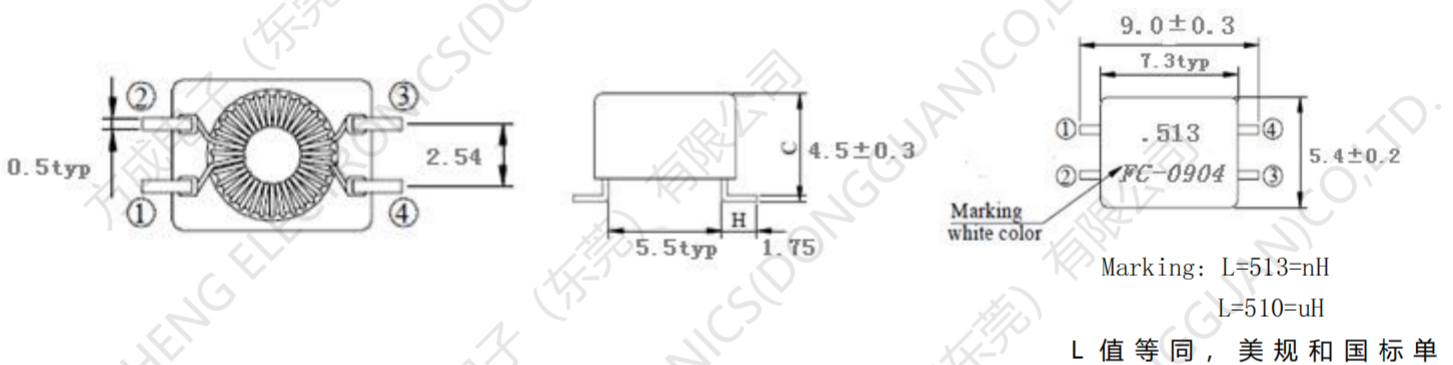
SMD Common Mode Line Filter

FC-SLF0904 –Series

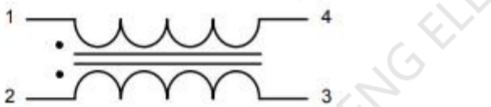
Small size
 Frequency Range: 1MHz, 0.1 Vrms
 Low Primary DCR version
 Ambient temperature -40°C to $+85^{\circ}\text{C}$
 Storage temperature Component: -40°C to $+125^{\circ}\text{C}$



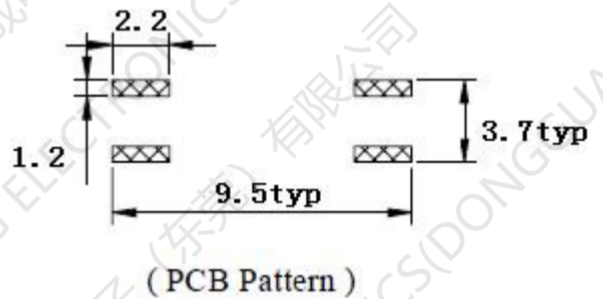
1. Dimensions:mm



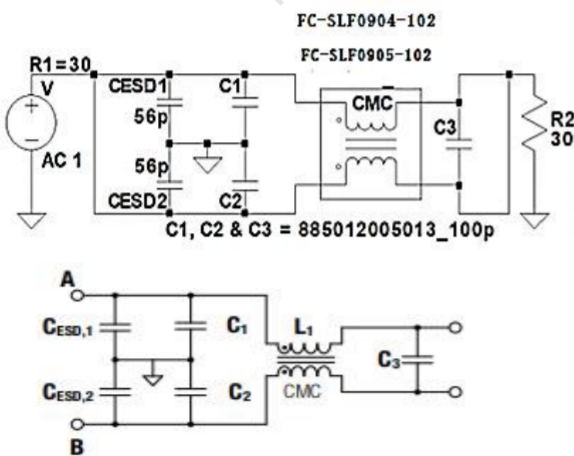
2.Schematic:



3.LAYOUT RECOMMENDATION:(mm)



4.Application Fig:





方成电子（东莞）有限公司

FC-SLF0904 -Series SMD Common Mode Line Filter

5. ELECTRIC CHARACTERISTICS

Part Number	Turns Ration	Inductance (uH)	LK(uH) Typ.(2-3 short)	RDC (Ω)	Current Rating ₂ (mA)
				1-4 2-3	
FC-SLF0904-110NL	1:1	11.0±25%	0.05	0.12	800
FC-SLF0904-250NL	1:1	25.0±25%	1.50	0.20	800
FC-SLF0904-513NL	1:1	51.0±25%	2.00	0.14	800
FC-SLF0904-513D-NL	1:1	51.0±25%	0.07	0.14	800
FC-SLF0904-101NL	1:1	100.0±25%	0.85	0.10	700
FC-SLF0904-471NL	1:1	470.0±25%	0.28	0.28	500
FC-SLF0904-102NL	1:1	1000.0±25%	0.29	0.40	500
FC-SLF0904-472NL	1:1	4700.0±25%	0.30	0.70	400

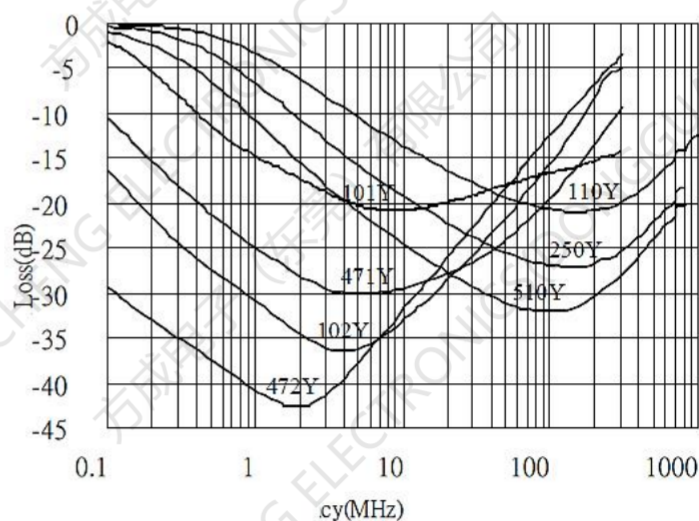
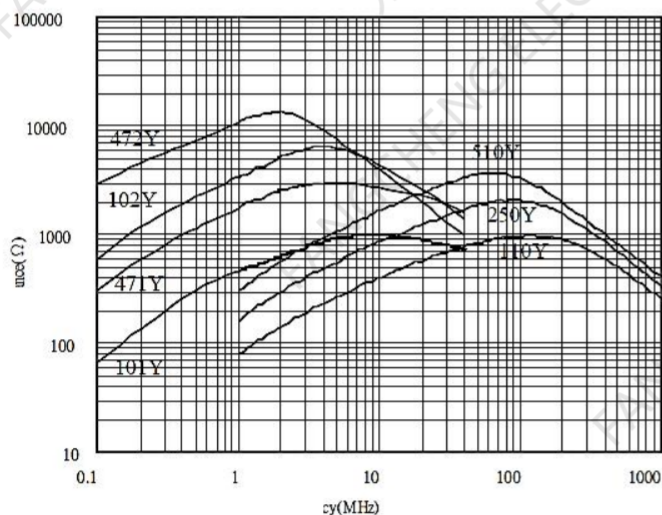
Electrical Specifications @ 25°C — Operating Temperature -40°C to +125°C.

Test equipment : Inductance 100KHZ/0.1V

Rated voltage 80 Vdc / 42 Vac

Hi-Pot (N-N): 250 Vac / 60 Hz , 3 mA / 1sec

6.CHARACTERISTICS CURVE:



Impedance. vs Frequency Insertion loss VS. Frequency