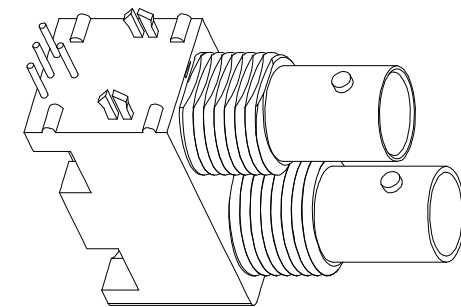
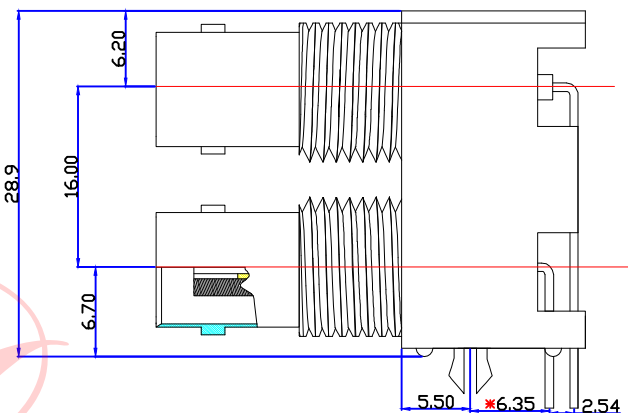
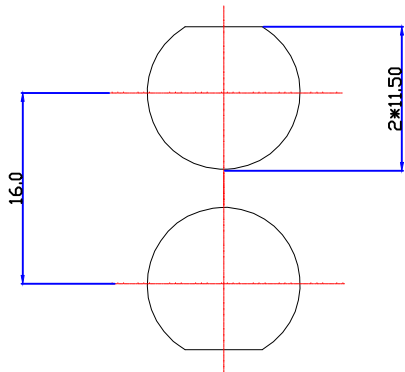


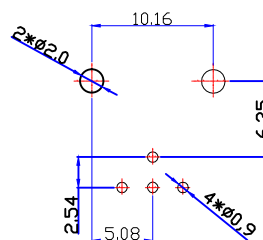


Customer NO:		DOSIN-801-0093		
REV	DESCRIPTION	DWN	DATE	APPROVEN
A	First issue	Mr. chen	2016/3/03	John kine
B				

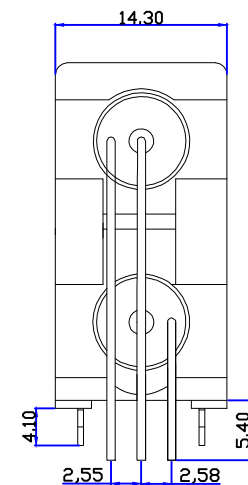
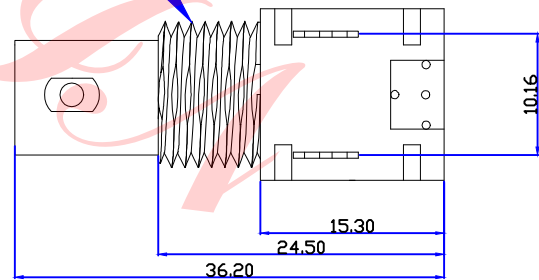


Specifications:

IMPEDANCE: 50 Ohms
 Frequency range: 0~3GHZ
 VSWR: 1.5MAX
 Working voltage: 500V rms @ sea level
 Insulation resistance: 5000 Ohms min
 Temperature range: -55°C TO +155°C
 Relative temperature: ≤95% (40° C ± 2° C)



1/4-28UNEF-2A



1	BODY	Zinc	NICKEL	2
2	PIN	Brass	GOLD	2
3	INSULATOR	POM	White	2
4	PLASTIC BODY	PBT	White	1
5	EARTH WIRE	IRON	NICKEL	2
6	FIXED FOOT	IRON	NICKEL	2
NO	Component Number	Material	Finish	QTY

NOTE:	
DRAWN	Zelin.chen
CHECKED	
APPROVALS	John
SCALE	1:1

Tolerance	X. ±0.15 X.X ±0.10 X.XX ±0.05 Angular ±5°
View	
UNIT	MM

DOSIN RF CONNECTOR **Dosin Industrial (H.K) Co., Ltd**
 东莞市德索五金电子制品有限公司
Dosin Hardware Electronics Co., Ltd
 E-mail: dosin2005@163.com
 dosin2005@dosing-china.com
 Web: http://www.dosinconn.com
 TEL: (0086) 769-81153906
 FAX: (0086) 769-81875836

Name: BNC Jack PCB Mount
 SIZE A Product NO. DOSIN-801-0093 REV A
 DateTime 2016/3/03 CAD FILE H/company drawings/BD SHEET: 1 OF 1