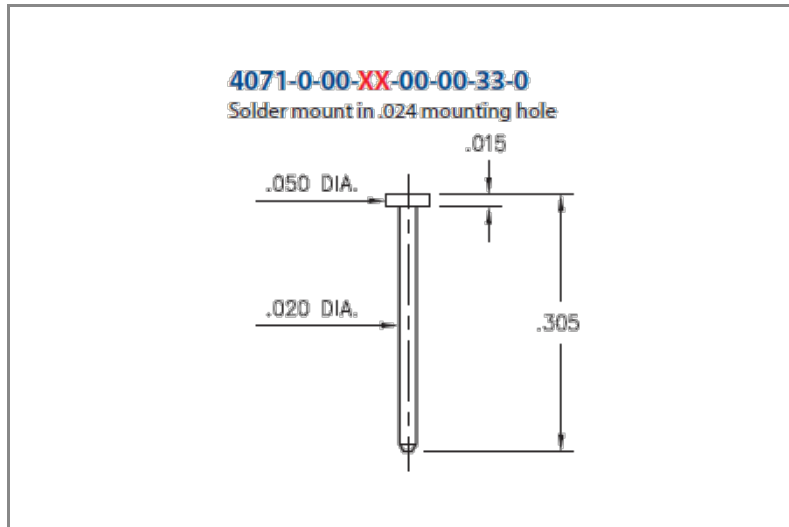


PRODUCT NUMBER: 4071-0-00-21-00-00-33-0



DESCRIPTION

Nail Head Pin
Current Rating:
 Application Specific
Operating Temperature Range:
 -55/+125° C
Mounting Feature:
 Through-Hole Solder Mount
Tail Type: Soldertail
Mounting Hole: .024" (0,610mm)
Tail Diameter: .020" (0,508mm)
Packaging: 00 - Packaged in Bulk

Shell Plating	Contact Plating	ROHS
----------------------	------------------------	-------------

20 μ" Gold over Nickel



STANDARD TOLERANCES ON PCB TERMINAL PINS & RECEPTACLES

Diameters +/- .002"
 Lengths +/- .005"
 Angles +/- 2°

STANDARD TOLERANCES ON SPRING-LOADED PINS

Diameters +/- .002"
 Lengths +/- .006"
 Angles +/- 2°

ADDITIONAL NOTES & SPECIFICATIONS

In the interest of improved design, quality and performance, Mill-Max reserves the right to make changes in its specifications without prior notice. Specifications and tolerances are provided wherever possible. The tolerance on dimensions of critical to function features is typically held tighter than the stated standard tolerances, such as press-fits, holes and lengths affecting the coplanarity of SMT products. Due to the wide variety of interconnects Mill-Max offers, the specific tolerances vary from product to product. If you need information regarding the tolerance of a particular part, please contact Technical Services.

© 2020 Mill-Max Mfg. Corp.
 190 Pine Hollow Rd, Oyster Bay, NY 11771, USA
 Phone: 516.922.6000