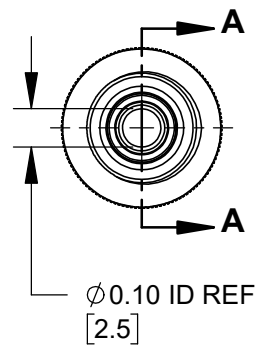
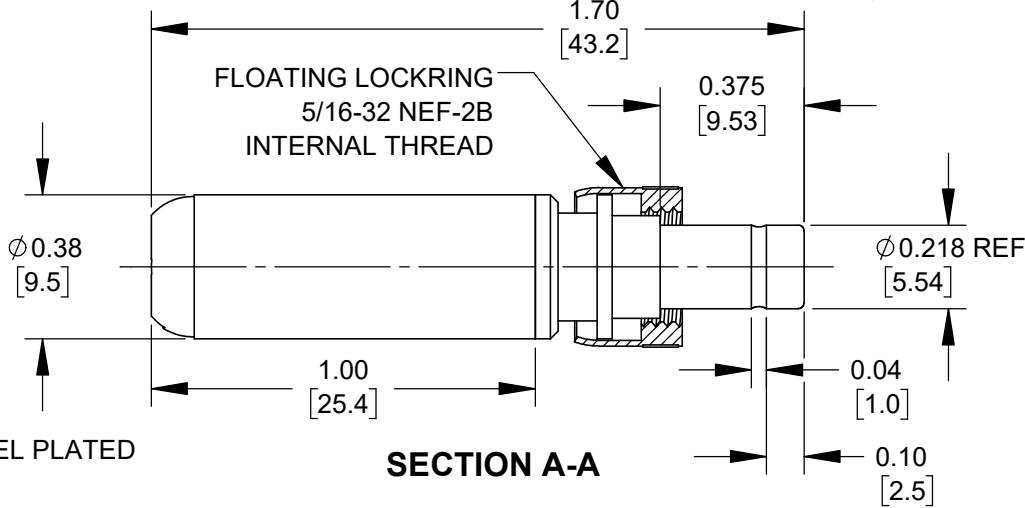
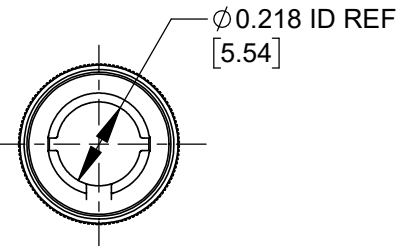
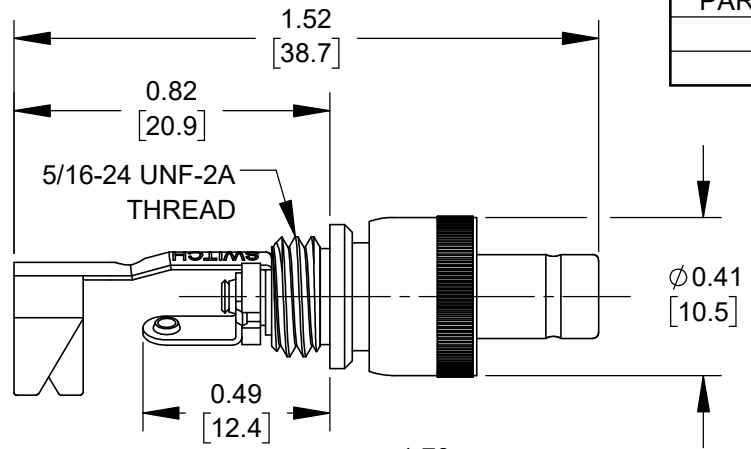


PART NUMBER	HANDLE COLOR
760KZ	BLACK
765KZ	RED



NOTES:  
 1. MATERIALS:  
 CONDUCTORS & LOCKRING - BRASS, NICKEL PLATED  
 TERMINALS - BRASS, TIN PLATED  
 INSULATORS & HANDLE - THERMOPLASTIC

2. THIS PRODUCT IS RoHS COMPLIANT.

**CUSTOMER DRAWING**

THIS DRAWING DESCRIBES A DESIGN CONSIDERED PROPRIETARY IN NATURE, DEVELOPED AND MANUFACTURED BY SWITCHCRAFT INC. AND IS RELEASED ON A CONFIDENTIAL BASIS FOR IDENTIFICATION PURPOSES ONLY.

UNLESS OTHERWISE SPECIFIED  
 1. ALL DIMENSIONS IN INCHES [mm]  
 - TWO PLACE DECIMALS ±0.02 [0.5]  
 - THREE PLACE DECIMALS ±0.005 [0.13]

SIZE *	WIDTH *	MULT *	LBS/M *	TEMPER *
FINISH *			MATERIAL *	
SPEC No. *			SPEC No. *	
FIRST USED ON *		SCALE 2:1		
DATE DRAWN	BY	CHKD	APVD	
10/24/19	AM	AM	AM	
		02/28/24	02/28/24	

**Switchcraft®**

SHEET 1 OF 1

A	28644	02/14/24	PC	TJK
REV	ECO NUMBER	DATE	BY	APVD
REVISIONS				

DO NOT SCALE DRAWING

NAME	PART No.	REV
$\phi 0.10 [2.5]$ mm x 0.375 LONG IMPROVED POWER PLUG W/LOCKRING, RoHS	<b>760KZ-765KZ</b>	<b>A</b>