

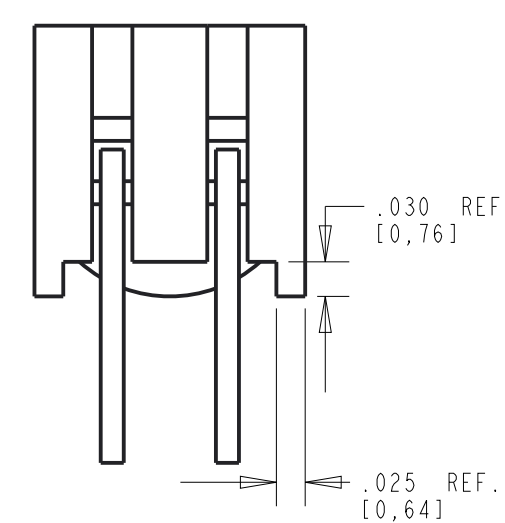
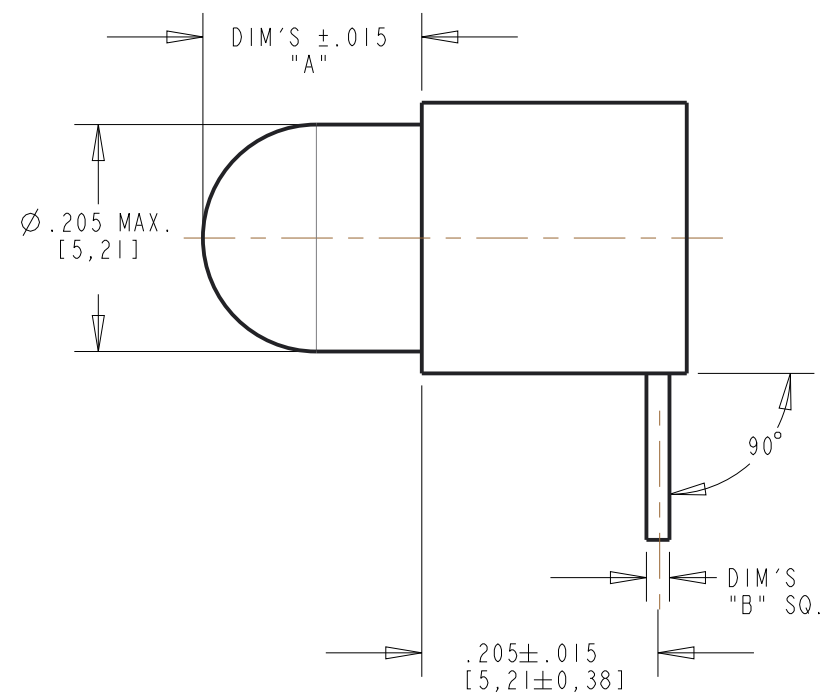
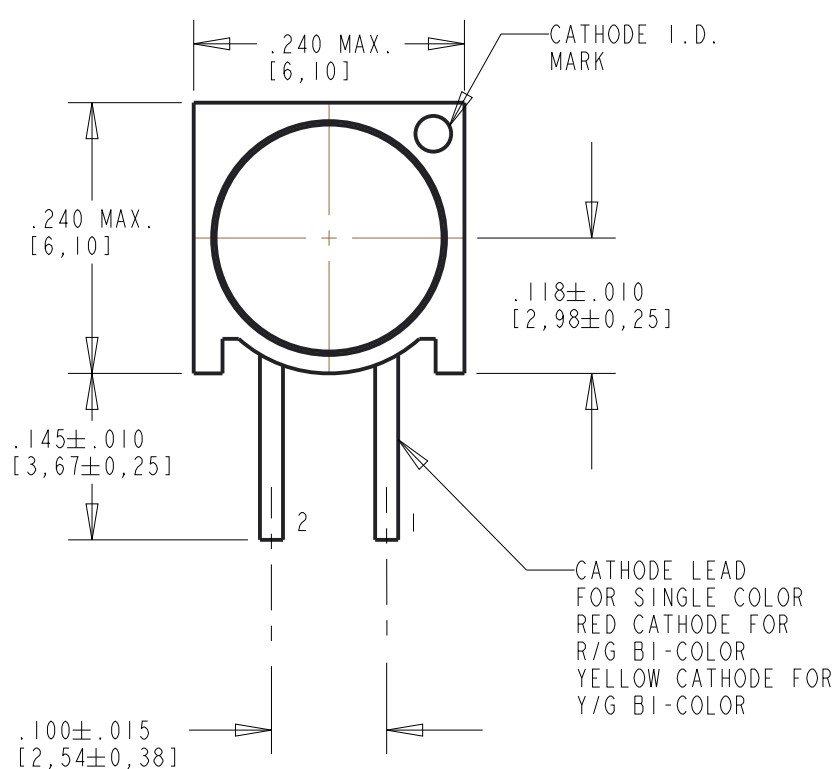
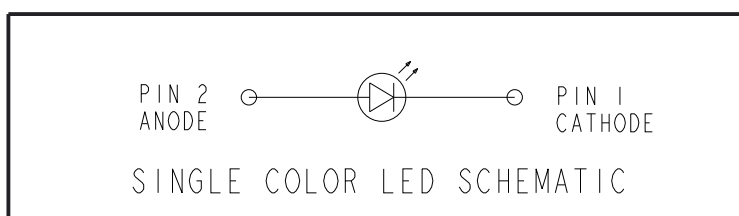
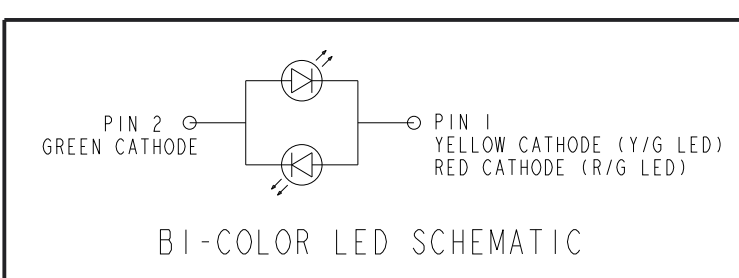
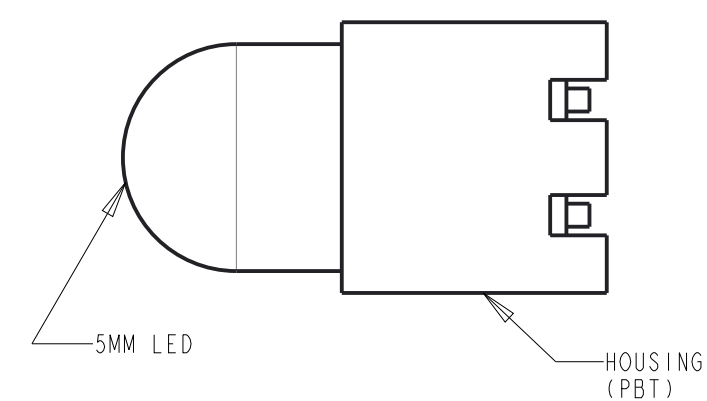
ASSEMBLY NUMBER	LED COLOR	DIMENSIONS			LED OPERATING CHARACTERISTICS AT 25°C AMBIENT								ABSOLUTE MAXIMUM RATINGS AT 25°C AMBIENT							
					PEAK WAVELENGTH (nm) TYP	DOMINANT WAVELENGTH (nm) TYP	VIEWING ANGLE (°)	LUMINOUS INTENSITY (mcd)				FORWARD VOLTAGE (V)			REVERSE CURRENT (mA)	POWER DISSIPATION (mW)	CONTINUOUS FORWARD CURRENT (mA)	PEAK FORWARD CURRENT (mA)	OPERATING TEMPERATURE (°C)	STORAGE TEMPERATURE (°C)
								TEST CONDITION	MIN	TYP	MAX	TEST CONDITION	TYP	MAX	MAX					
550-0205F	GREEN DIFFUSED	.135	.020	.043	565	570	60	10 mA	25	60	90	20 mA	2.1	2.6	100 @ Vf=5V	100	30	90	-55 TO +100	-55 TO +100
550-0305F	YELLOW DIFFUSED	.135	.020	.043	585	588	60	10 mA	3.7	12.6		20 mA	2.1	2.6	100 @ Vf=5V	60	20	80	-55 TO +100	-55 TO +100
550-0405F	RED DIFFUSED	.135	.020	.043	635	625	60	10 mA	1.9	60		20 mA	2.0	2.6	100 @ Vf=5V	100	30	120	-55 TO +100	-55 TO +100
550-0505F	RED DIFFUSED 5 VOLT	.197	.025	.050	635		60	5v	2.1						100 @ Vf=5V				-40 TO +85	-40 TO +100
550-0705F	GREEN DIFFUSED 5 VOLT	.197	.025	.050	565		60	5v		1.8					100 @ Vf=5V				-20 TO +85	-40 TO +100
550-0805F	YELLOW DIFFUSED 5 VOLT	.197	.025	.050	583		60	5v	2.0	8.0					100 @ Vf=5V				-40 TO +85	-55 TO +100
550-1105F	RED TINTED DIFFUSED 2mA	.197	.018	.040	635	626	50	2 mA	1.5	2.3		2 mA	1.7	2.0	50 @ Vf=5V	14	7	7	-40 TO +100	-40 TO +100
550-1205F	YELLOW TINTED DIFFUSED 2mA	.197	.018	.040	583	565	50	2 mA	1.2	1.8		2 mA	1.9	2.7	50 @ Vf=5V	36	7	7	-55 TO +100	-55 TO +100
550-1305F	GREEN TINTED DIFFUSED 2mA	.197	.018	.040	565		50	2 mA	1.2	1.8		2 mA	1.9	2.2	50 @ Vf=5V	15.4	7	7	-20 TO +100	-40 TO +100
550-2205F	GREEN DIFFUSED	.190	.020	.043	563		65	10 mA	3.6	10.0			2.1	3.0	10 @ Vf=3V	75	25	60	-25 TO +85	-30 TO +100
550-2305F	YELLOW DIFFUSED	.190	.020	.043	585	590	50	10 mA	1.9	40	100	20 mA	2.1	2.6	100 @ Vf=5V	52	20	60	-40 TO +85	-40 TO +100
550-2405F	RED DIFFUSED	.190	.020	.043	650		50	10 mA	2.2	6.3			2.2	2.55	10 @ Vf=3V	60	20	60	-25 TO +85	-30 TO +100
550-5105F	RED DIFFUSED	.190	.020	.043	635	623	50	10 mA	1.9	40	90	20 mA	2.1	2.6	100 @ Vf=5V	81	30	60	-40 TO +85	-40 TO +100
550-5205F	GREEN TINTED DIFFUSED	.190	.020	.043	569	571	50	10 mA	1.9	40	90	20 mA	2.2	2.6	100 @ Vf=5V	52	20	60	-40 TO +85	-40 TO +100
550-5405F	AMBER TINTED DIFFUSED	.190	.020	.043	610	602	50	10 mA	12.6	40	90	20 mA	2.0	2.6	100 @ Vf=5V	60	20	60	-40 TO +85	-40 TO +100
550-5505F	RED NON-DIFFUSED, WATER CLEAR	.197	.018	.040	635		24	20 mA	80	125			2.2	3.0	100 @ Vf=5V	135	30	500	-55 TO +100	-55 TO +100
550-5605F	GRN NON-DIFFUSED, WATER CLEAR	.197	.018	.040	565		24	20 mA	80	120			2.3	3.0	100 @ Vf=5V	135	30	500	-20 TO +100	-55 TO +100
550-5705F	YEL NON-DIFFUSED, WATER CLEAR	.197	.018	.040	583		24	20 mA	80	140			2.2	3.0	100 @ Vf=5V	85	20	500	-55 TO +100	-55 TO +100
550-5805F	AMBR NON-DIFFUSED, WATER CLEAR	.190	.024	.050	611		30	20 mA	240	700			2.05	2.4	100 @ Vf=5V	75	30	60	-40 TO +100	-55 TO +100
550-5905F	GRN(InGa)NON-DIFF.WATER CLEAR	.190	.020	.043	518	527	30	20 mA	2500	4200	7200	20 mA	3.8	4.3	100 @ Vf=5V	135	30	100	-40 TO +85	-40 TO +100
550-6005F	WHITE NON-DIFF. WATER CLEAR	.193	.020	.043	SEE TABLE	X=.3, Y=.3	30	20 mA	1150	1900	3200	20 mA	3.5		100 @ Vf=5V	120	30	100	-40 TO +85	-40 TO +100

REV	REVISIONS	DRN	CKD	APP	DATE
A	NEW RELEASE	TWC	TC	N.O.	7-11-05
B	P/N 550-0205F PEAK WAVELENGTH "565" WAS "560".	KLJ	MES	N.O.	4-16-08
C	UPDATED FOLLOWING SPECIFICATIONS FOR 550-0505F: MIN LUM INT "2.1" WAS "1.0"; MAX IF "15" WAS "20"; PEAK WAVELENGTH "635" WAS "655".	KLJ	NO	MES	5-2-08
D	UPDATED FOLLOWING SPECIFICATIONS FOR 550-5905F: DIM "A" ".190" WAS ".193"; MIN LUM INT "2500" WAS "1900"; MAX VF "4.3" WAS "4.0"; PEAK WAVELENGTH "518" WAS "524".	AJF	KLJ	NO	6-25-09
E	UPDATED LED SPECS	LD	NO		3-23-22
F	UPDATED LED SPECS	LD	CS		8-16-22

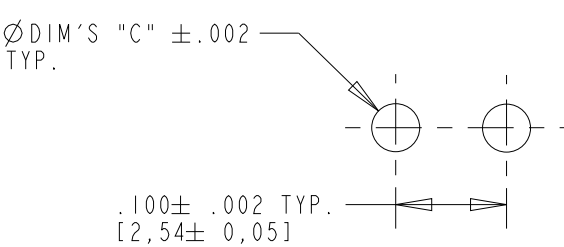
BIN	LIMITS (CHROMATICITY COORDINATES)				
1	X	0.330	0.330	0.356	0.361
	Y	0.360	0.318	0.351	0.385
2	X	0.287	0.296	0.330	0.330
	Y	0.295	0.276	0.318	0.339
3	X	0.264	0.280	0.296	0.283
	Y	0.267	0.248	0.276	0.305
4	X	0.283	0.287	0.330	0.330
	Y	0.305	0.295	0.339	0.360

RoHS Compliant 550-xx05F Thru Hole Single Square Back CBI

Part Numbers with the "F" suffix ending are RoHS Compliant.
 Example: 550-0205F or any 550-XX05F
 The bag packaging is marked with "RoHS Compliant" label or equivalent markings.
 Parts can be wave soldered, dip soldered or hand soldered using typical lead-free soldering process with max 260°C temp. for 5 sec.



- NOTES:
- LEADS TO FIT INTO HOLE PATTERN AS SHOWN.
 - LED LEAD DIMENSIONS SHOWN ARE MEASURED AT HOUSING EXIT.
 - PIN NUMBERS FOR REFERENCE ONLY, DESIGNATION NON-EXISTENT ON PARTS.
 - THIS ASSEMBLY CONTAINS ELECTROSTATIC SENSITIVE DEVICES (ESDS). MAINTAIN ALL PRECAUTIONARY MEASURES DURING ASSEMBLY, HANDLING AND STORAGE IN ACCORDANCE WITH IPC-A-610.
 - DIALIGHT PART NUMBER: 550-XX05F.



RECOMMENDED P.C.B. HOLE PATTERN



ATTENTION:
OBSERVE PRECAUTIONS FOR HANDLING ELECTROSTATIC SENSITIVE DEVICES

THIS DRAWING AND THE CONTENTS HEREIN ARE CONFIDENTIAL AND THE SOLE PROPERTY OF DIALIGHT CORP. REPRODUCTION OF THIS DRAWING OR CONSTRUCTION OF ANY PARTS WITHIN THIS DRAWING ARE FORBIDDEN WITHOUT THE WRITTEN CONSENT OF DIALIGHT CORP.

SCALE: 6:000	DRAWING NUMBER	REV
ALL DIM'S IN: INCHES (MM)	C-17264	F
TOLERANCES: UNLESS OTHERWISE SPECIFIED	TITLE: 5mm LED R/G BI COLOR REV. POLARITY	
FRACTIONS: ±1/64	MATERIAL:	
DECIMALS (.XX): ±.01	FINISH:	
DECIMALS (.XXX): ±.005	FSCM 83330	
DECIMALS (.XXXX): ±.0005	SHEET 1 OF 1 FAMILY TABLES:	
ANGLES: ±1°	1501 ROUTE 34 SOUTH FARMINGDALE, NJ 07727 (732) 919-3119 www.dialight.com	