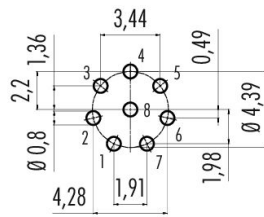


Product description **Snap-In Female panel mount connector, Contacts: 8, unshielded, THT, IP67, UL**
Area **series 620**
Part no. **99 9228 090 08**

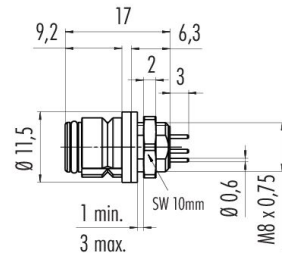
Illustration



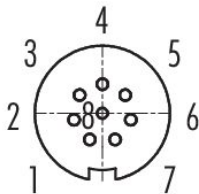
Conductor layout



Scale drawing



Contact arrangement (Plug-in side)



You can find the component part drawing and assembly instructions on the next page.

Technical data

General features

Part no.	99 9228 090 08
Connector design	Female panel mount connector
Version	Connector socket straight
Connector locking system	snap-in
Termination	THT
Degree of protection	IP67
Temperature range from/to	-25 °C / 85 °C
Mechanical operation	> 500 Mating cycles

Product data sheet

Subminiature connectors



Product description	Snap-In Female panel mount connector, Contacts: 8, unshielded, THT, IP67, UL
Area	series 620
Part no.	99 9228 090 08

Weight (g)	3.00
Customs tariff number	85369010
Country of Origin	DE

Electrical parameters

Rated voltage	63 V
Rated impulse voltage	800 V
Rated current	1.0 A
Insulation resistance	$\geq 10^{10} \Omega$
Pollution degree	2
Overvoltage category	II
Insulating material group	II
EMC compliance	unshielded

Material

Housing material	PA
Contact body material	PA (UL94 HB) black
Contact material	CuSn (bronze)
Contact plating	Au (gold)
REACH SVHC	CAS 7439-92-1 (Lead)
SCIP number	898b55ef-d223-4575-bd54-cc4aa0aed152

Authorization/approvals

Approvals	UL
-----------	----

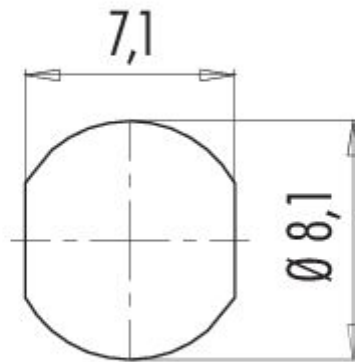
Classifications

eCl@ss 11.1	27-44-01-02
ETIM 9.0	EC002635

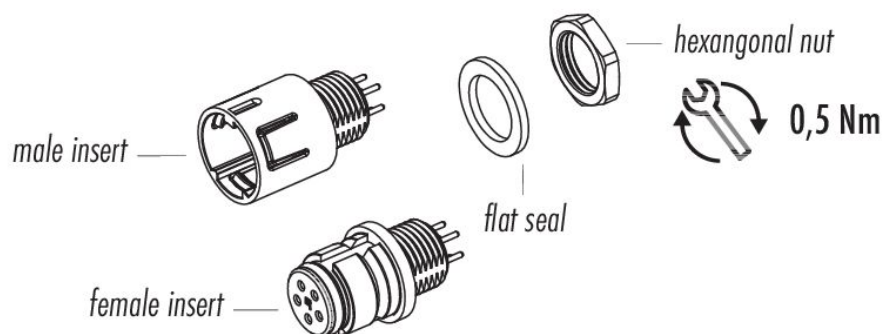
Product description Snap-In Female panel mount connector, Contacts: 8, unshielded, THT, IP67, UL

Area series 620
Part no. 99 9228 090 08

Assembly instructions / Panel cut-out



Component part drawing



Product description	Snap-In Female panel mount connector, Contacts: 8, unshielded, THT, IP67, UL
Area	series 620
Part no.	99 9228 090 08

Security notices

The connector must not be plugged or unplugged under load. Non-observance and improper use can result in personal injury.

The connectors have been developed for applications in plant engineering, control and electrical equipment construction. The user is responsible for checking whether the connectors can also be used in other areas of application.

Connectors which are used in circuits with voltages dangerous to the touch may only be installed and used by, or under the supervision of, persons with electrical engineering training, taking into account the applicable regulations and standards.

The user must take suitable safety precautions to ensure that the connector cannot be accidentally disconnected.

Plug connectors with enclosure protection IP67 and IP68 are not suitable for use under water. When used outdoors, the plug connectors must be protected separately against corrosion. For further information on the IP protection classes, please refer to the "Technical Information" download centre.

The plug connector is not suitable for mains voltages Please observe the pollution degree and the overvoltage category. For further information, please refer to the download center "Technical Information".