

DATASHEET

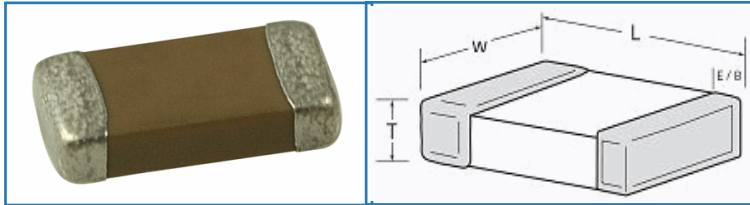
C0402C0G250-300FNP



VENKEL LTD.

GENERAL PURPOSE CERAMIC CAPACITORS (C SERIES)

0402, COG, 25V, 30pF, ±1%, 100% matte Tin(Sn) over Nickel



SIZE SPECIFICATIONS units: inches

Length:	0.040
Width:	0.020
T(max):	0.025
Min E/B:	0.004
Size(EIA):	0402

COMPONENT SPECIFICATIONS

Category:	Ceramic Capacitors
Series:	General Purpose (C Series)
Size:	0402
Dielectric:	COG
Voltage:	25V
Capacitance:	30pF
Tolerance:	±1%
Termination:	100% matte Tin(Sn) over Nickel
Packaging:	P
Quantity per Reel:	10,000

DIELECTRIC SPECIFICATIONS

Temperature Coefficient:	0 ±30PPM/°C
Temperature Voltage Coefficient	0 ±30PPM/°C
Ageing:	None
Withstanding Voltage:	2.5 times VDCW
Operating Temp:	-55°C to +125°C
Dissipation Factor:	0.1% max

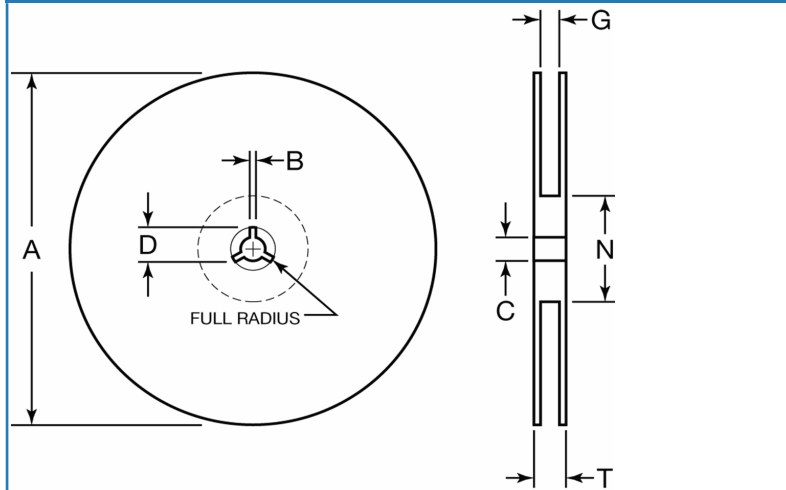
ENVIRONMENTAL INFORMATION

RoHS Status	6 of 6 Compliant
REACH Status	Compliant
Halogen Status	Halogen Free
Conflict Mineral Status	Conflict Mineral Free
Moisture Sensitivity Level	MSL1

REFLOW PROFILE

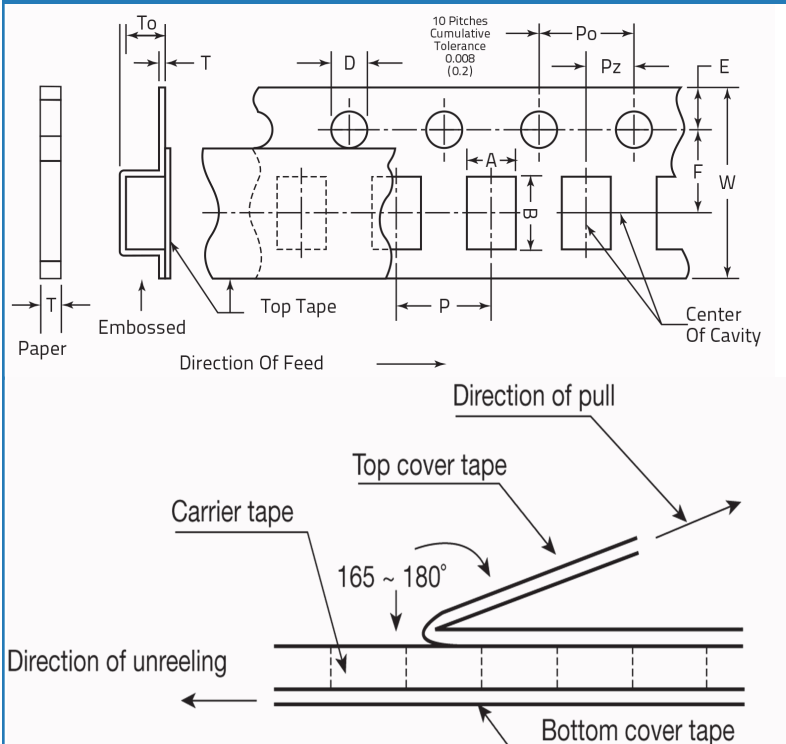
Max Reflow Temperature	260 °C
Number of Reflow Cycles	2
Time at Max Reflow Temp.	10 sec

REEL DIMENSIONS units: mm



Tape	B min	C	A(7")	A(13")	D Min	N Min	G	T max
8mm	0.30	13 ± 0.05	178 ± 2.0	330 ± 2.0	20.20	50.00	10 ± 1.5	14.90

TAPING SPECIFICATIONS units: mm



A	B	W	F	E	Po
0.65 ± 0.1	1.10 ± 0.2	8.0 ± 0.2	3.5 ± 0.1	1.75 ± 0.1	4.0 ± 0.1
Pz	D	T	P	To	T(E)
2.0 ± 0.05 - 0.0	1.5 ± 0.1	1.15 MAX	2.0 ± 0.05		