



# CD4066

## Quad Bilateral Switches

# Product Specification

**Specification Revision History:**

<b>Version</b>	<b>Date</b>	<b>Description</b>
2019-06-A1	2019-06	New
2021-07-A2	2021-07	Modify Ordering Information



## 1、 General Description

The CD4066 provides four single-pole, single-throw analog switch functions. Each switch has two input/output terminals (nY and nZ) and an active HIGH enable input (nE). When nE is LOW, the analog switch is turned off.

The CD4066 is pin compatible with the CD4016 but exhibits a much lower ON resistance. In addition the ON resistance is relatively constant over the full input signal range.

### Features:

- Wide supply voltage range from 3V to 9V
- Fully static operation
- 5V and 9V parametric ratings
- Standardized symmetrical output characteristics
- Inputs and outputs are protected against electrostatic effects
- Specified from -40°C to +85°C
- Packaging information: DIP14/SOP14/TSSOP14

### Ordering Information:

#### Tube packing specifications:

Type number	Packaging form	Marking code	Tube quantity	Boxed tube quantity	Boxed quantity	Packing box number	Packing quantity	Notes
CD4066DA.TB	DIP14	CD4066	25 PCS/tube	40 tube/box	1000 PCS/box	10 box/pack	10000 PCS/pack	Dimensions of plastic enclosure: 19.0mm×6.4mm Pin spacing: 2.54mm
CD4066SA.TB	SOP14	CD4066	50 PCS/tube	200 tube/box	10000 PCS/box	5 box/pack	50000 PCS/pack	Dimensions of plastic enclosure: 8.7mm×3.9mm Pin spacing: 1.27mm
CD4066TA.TB	TSSOP14	CD4066	94 PCS/tube	200 tube/box	18800 PCS/box	10 box/pack	188000 PCS/pack	Dimensions of plastic enclosure: 5.0mm×4.4mm Pin spacing: 0.65mm

#### Reel packing specifications:

Type number	Packaging form	Marking code	Reel quantity	Boxed reel quantity	Packing quantity	Notes
CD4066SA.TR	SOP14	CD4066	4000 PCS/reel	8000 PCS/box	64000 PCS/pack	Dimensions of plastic enclosure: 8.7mm×3.9mm Pin spacing: 1.27mm
CD4066TA.TR	TSSOP14	CD4066	3000 PCS/reel	6000 PCS/box	48000 PCS/pack	Dimensions of plastic enclosure: 5.0mm×4.4mm Pin spacing: 0.65mm

Note: If the physical information is inconsistent with the ordering information, please refer to the actual product.



## 2、 Block Diagram And Pin Description

### 2.1、 Block Diagram

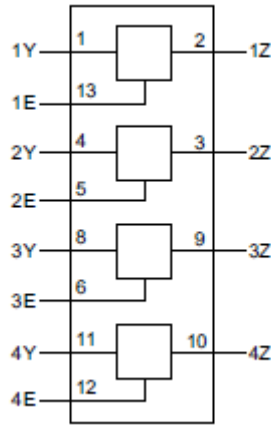


Figure 1. Functional diagram

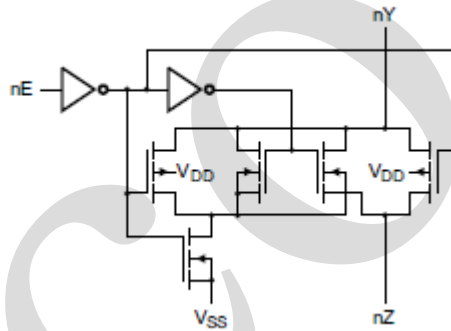


Figure 2. Logic diagram (one switch)

### 2.2、 Pin Configurations





## 2.3、Pin Description

Pin No.	Pin Name	Description
1	1Y	independent input or output
2	1Z	independent input or output
3	2Z	independent input or output
4	2Y	independent input or output
5	2E	enable input (active HIGH)
6	3E	enable input (active HIGH)
7	V <sub>SS</sub>	ground (0V)
8	3Y	independent input or output
9	3Z	independent input or output
10	4Z	independent input or output
11	4Y	independent input or output
12	4E	enable input (active HIGH)
13	1E	enable input (active HIGH)
14	V <sub>DD</sub>	supply voltage

## 2.4、Function Table

Input	Switch
nE	
H	ON
L	OFF

Note: H=HIGH voltage level; L=LOW voltage level.

## 3、Electrical Parameter

### 3.1、Absolute Maximum Ratings

(Voltages are referenced to V<sub>SS</sub> (ground=0V), unless otherwise specified.)

Parameter	Symbol	Conditions	Min.	Max.	Unit
supply voltage	V <sub>DD</sub>	-	-0.5	+12	V
input voltage	V <sub>I</sub>	-	-0.5	V <sub>DD</sub> +0.5	V
input clamping current	I <sub>IK</sub>	V <sub>I</sub> <0.5V or V <sub>I</sub> >V <sub>DD</sub> +0.5V	-	±10	mA
input/output current	I <sub>I/O</sub>	-	-	±10	mA
storage temperature	T <sub>stg</sub>	-	-65	+150	°C
total power dissipation	P <sub>tot</sub>	-	-	500	mW
device dissipation	P	per output transistor	-	100	mW
Soldering temperature	T <sub>L</sub>	10s	DIP	245	°C
			SOP	250	°C

Note:

[1] For DIP14 packages: above 70°C the value of P<sub>tot</sub> derates linearly with 12mW/K.

[2] For SOP14 packages: above 70°C the value of P<sub>tot</sub> derates linearly with 8mW/K.

[3] For (T)SSOP14 packages: above 60°C the value of P<sub>tot</sub> derates linearly with 5.5mW/K.



### 3.2、Recommended Operating Conditions

( $T_{amb}=25^{\circ}\text{C}$ ;  $R_L=10\text{k}\Omega$ ;  $C_L=50\text{pF}$ ;  $nE=V_{DD}$ ;  $V_{is}=V_{DD}=5\text{V}$ .)

Parameter	Symbol	Conditions	Min.	Typ.	Max.	Unit
supply voltage	$V_{DD}$	-	3	5	9	V
ambient temperature	$T_{amb}$	in free air	-40	-	+85	$^{\circ}\text{C}$
input voltage	$V_I$	-	0	-	$V_{DD}$	V
Disable output time (High level→turn off)	$t_{PHZ}$	nE to nZ or nE to nY	-	80	160	ns
Disable output time (Low level→turn off)	$t_{PLZ}$	nE to nZ or nE to nY	-	80	160	ns
Enable output time (turn off→high/low level)	$t_{PZH}, t_{PZL}$	-	-	45	90	ns
input capacitance	$C_I$	-	-	-	7.5	pF

### 3.3、Electrical Characteristics

#### 3.3.1、DC Characteristics 1

( $T_{amb}=25^{\circ}\text{C}$ , voltages are referenced to  $V_{SS}$  (ground=0V), unless otherwise specified.)

Parameter	Symbol	Conditions (V)	$T_{amb}=25^{\circ}\text{C}$			Unit	
			Min.	Typ.	Max.		
supply current	$I_{DD}$	$V_I=V_{DD}$ or $V_{SS}, I_O=0\text{A}$	$V_{DD}=5\text{V}$	-	-	1.0	$\mu\text{A}$
			$V_{DD}=9\text{V}$	-	-	2.0	$\mu\text{A}$
HIGH-level input voltage	$V_{IH}$	$ I_O <1\mu\text{A}$	$V_{DD}=5\text{V}, V_O=0.5\text{V}$ or $4.5\text{V}$	3.5	-	-	V
			$V_{DD}=9\text{V}, V_O=0.5\text{V}$ or $8\text{V}$	7.0	-	-	V
LOW-level input voltage	$V_{IL}$	$ I_O <1\mu\text{A}$	$V_{DD}=5\text{V}, V_O=0.5\text{V}$ or $4.5\text{V}$	-	-	1.5	V
			$V_{DD}=9\text{V}, V_O=0.5\text{V}$ or $8\text{V}$	-	-	3.0	V
input leakage current	$I_I$	$V_I=0\text{V}$ or $9\text{V}, V_{DD}=9\text{V}$	-	-	0.3	$\mu\text{A}$	
ON resistance (rail)	$R_{ON}$	$V_I=0\text{V}$ to $V_{DD}-V_{EE}$	$V_{DD}-V_{EE}=5\text{V}$	-	350	2500	$\Omega$
			$V_{DD}-V_{EE}=9\text{V}$	-	80	245	$\Omega$
		$V_I=0\text{V}$	$V_{DD}-V_{EE}=5\text{V}$	-	115	340	$\Omega$
			$V_{DD}-V_{EE}=9\text{V}$	-	50	160	$\Omega$
		$V_I=V_{DD}-V_{EE}$	$V_{DD}-V_{EE}=5\text{V}$	-	120	365	$\Omega$
			$V_{DD}-V_{EE}=9\text{V}$	-	65	200	$\Omega$
ON resistance mismatch between channels	$\Delta R_{ON}$	$V_I=0\text{V}$ to $V_{DD}-V_{EE}$	$V_{DD}-V_{EE}=5\text{V}$	-	25	-	$\Omega$
			$V_{DD}-V_{EE}=9\text{V}$	-	10	-	$\Omega$

Note: On resistance waveform and test circuit see Figure 9 and Figure 10.



### 3.3.2、DC Characteristics 2

( $T_{amb}=-40^{\circ}\text{C}$  to  $+85^{\circ}\text{C}$ , voltages are referenced to  $V_{SS}$  (ground=0V), unless otherwise specified.)

Parameter	Symbol	Conditions (V)	$T_{amb}=-40^{\circ}\text{C}$		$T_{amb}=+85^{\circ}\text{C}$		Unit	
			Min.	Max.	Min.	Max.		
supply current	$I_{DD}$	$V_I=V_{DD}$ or $V_{SS}, I_O=0\text{A}$	$V_{DD}=5\text{V}$	-	1.0	-	7.5	$\mu\text{A}$
			$V_{DD}=9\text{V}$	-	2.0	-	15.0	$\mu\text{A}$
HIGH-level input voltage	$V_{IH}$	$ I_O <1\mu\text{A}$	$V_{DD}=5\text{V}, V_O=0.5\text{V}$ or $4.5\text{V}$	3.5	-	3.5	-	V
			$V_{DD}=9\text{V}, V_O=0.5\text{V}$ or $8\text{V}$	7.0	-	7.0	-	V
LOW-level input voltage	$V_{IL}$	$ I_O <1\mu\text{A}$	$V_{DD}=5\text{V}, V_O=0.5\text{V}$ or $4.5\text{V}$	-	1.5	-	1.5	V
			$V_{DD}=9\text{V}, V_O=0.5\text{V}$ or $8\text{V}$	-	3.0	-	3.0	V
input leakage current	$I_I$	$V_I=0\text{V}$ or $9\text{V}, V_{DD}=9\text{V}$	-	-	-	1.0	$\mu\text{A}$	

### 3.3.3、AC Characteristics 1

( $T_{amb}=25^{\circ}\text{C}$ ,  $V_{EE}=V_{SS}=0\text{V}$ ,  $t_r, t_f \leq 20\text{ns}$ ,  $C_L=50\text{pF}$ ,  $R_L=10\text{k}\Omega$ , unless otherwise specified.)

Parameter	Symbol	Conditions	Min.	Typ.	Max.	Unit	
HIGH to LOW propagation delay time	$t_{PHL}$	nY to nZ; nZ to nY; see Figure 4	$V_{DD}=5\text{V}$	-	10	20	ns
			$V_{DD}=9\text{V}$	-	5	10	ns
LOW to HIGH propagation delay	$t_{PLH}$	nY to nZ; nZ to nY; see Figure 4	$V_{DD}=5\text{V}$	-	10	20	ns
			$V_{DD}=9\text{V}$	-	5	10	ns
HIGH to OFF-state propagation delay	$t_{PHZ}$	nE to nY, nZ; see Figure 5	$V_{DD}=5\text{V}$	-	80	160	ns
			$V_{DD}=9\text{V}$	-	65	130	ns
LOW to OFF-state propagation delay	$t_{PLZ}$	nE to nY, nZ; see Figure 5	$V_{DD}=5\text{V}$	-	80	160	ns
			$V_{DD}=9\text{V}$	-	70	140	ns
OFF-state to HIGH propagation delay	$t_{PZH}$	nE to nY, nZ; see Figure 5	$V_{DD}=5\text{V}$	-	40	80	ns
			$V_{DD}=9\text{V}$	-	20	40	ns
OFF-state to LOW propagation delay	$t_{PZL}$	nE to nY, nZ; see Figure 5	$V_{DD}=5\text{V}$	-	45	90	ns
			$V_{DD}=9\text{V}$	-	20	40	ns



### 3.3.4、 AC Characteristics 2

( $T_{amb}=25^{\circ}\text{C}$ ,  $V_{EE}=V_{SS}=0\text{V}$ ,  $V_I=0.5V_{DD}$  (p-p), unless otherwise specified.)

Parameter	Symbol	Conditions	Min.	Typ.	Max.	Unit	
Square wave distortion	$d_{sin}$	see Figure 6; $R_L=10\text{k}\Omega$ ; $C_L=15\text{pF}$ ; channel ON; $f_i=1\text{kHz}$	$V_{DD}=5\text{V}$	0.25	-	-	%
			$V_{DD}=9\text{V}$	0.04	-	-	%
any two channel crosstalk	$f_{ct}$	$V_{DD}=9\text{V}$ , see note2	1	-	-	MHz	
crosstalk voltage (nE to nY to nZ)	$V_{ct}$	see Figure 7; $R_L=10\text{k}\Omega$ ; $C_L=15\text{pF}$ ; $\bar{E}$ or Sn= $V_{DD}$ (square-wave)	50	-	-	mV	
OFF frequency	$f_{OFF}$	$V_{DD}=9\text{V}$ , see note3	1	-	-	MHz	
conduction frequency	$f_{ON}$	$V_{DD}=5\text{V}$ , see note4	-	-	-	MHz	
		$V_{DD}=9\text{V}$ , see note4	90	-	-	MHz	

Note:

[1]  $f_i$  is biased at  $0.5V_{DD}$ ;  $V_I=0.5V_{DD}$  (p-p).

[2]  $R_L=1\text{k}\Omega$ ;  $20\log V_{os}/V_{is}=-50\text{dB}$ , see Figure 8.

[3]  $R_L=1\text{k}\Omega$ ;  $C_L=5\text{pF}$ , channel off,  $20\log V_{os}/V_{is}=-50\text{dB}$ , see Figure 6.

[4]  $R_L=1\text{k}\Omega$ ;  $C_L=5\text{pF}$ , channel on,  $20\log V_{os}/V_{is}=-3\text{dB}$ , see Figure 6.

## 4、 Testing Circuit

### 4.1、 AC Testing Circuit 1

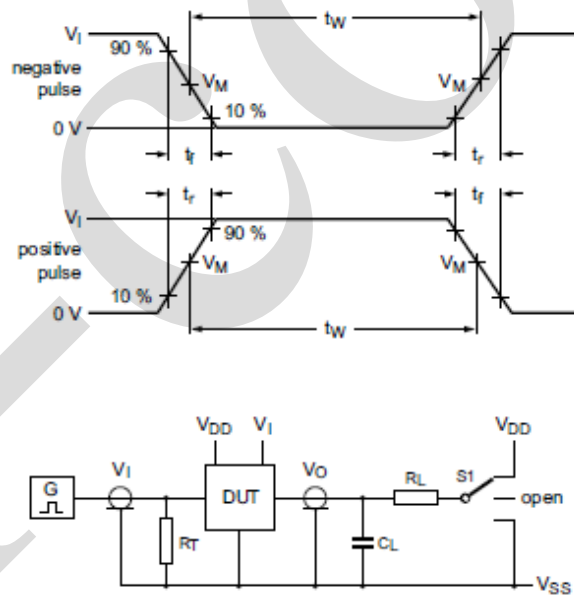


Figure 3. Test circuit for switching times

Definitions for test circuit:

DUT=Device Under Test.

$C_L$ =Load capacitance including jig and probe capacitance.

$R_T$ =Termination resistance should be equal to the output impedance  $Z_o$  of the pulse generator.

$R_L$ =Load resistance.



4.2、 AC Testing Waveforms

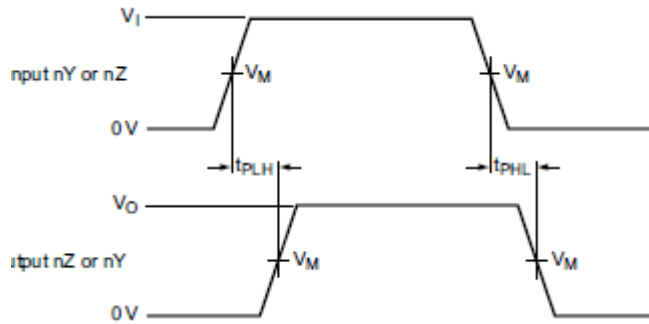


Figure 4. nY or nZ to nZ or nY propagation delays

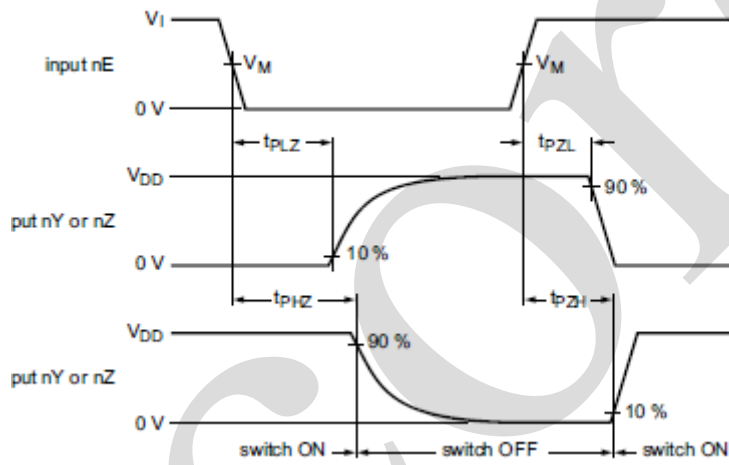


Figure 5. Enable and disable times

4.3、 AC Testing Circuit 2

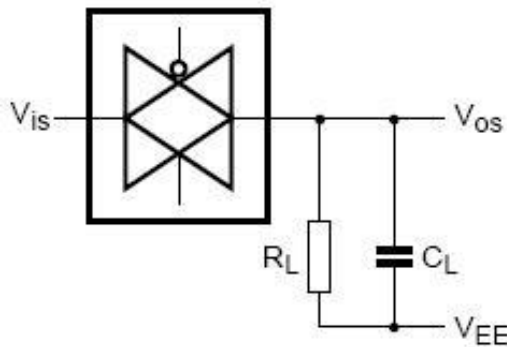


Figure 6. Square wave distortion degree of cut-off frequency and conduction frequency test pattern



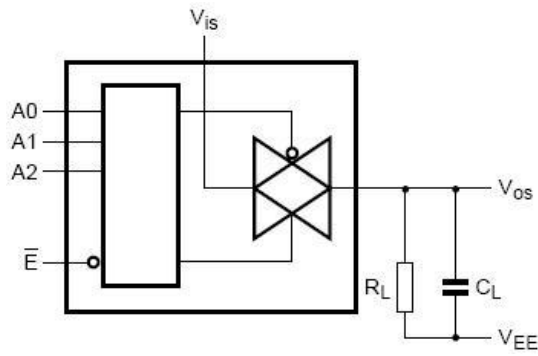


Figure 7. Crosstalk logical input/output test

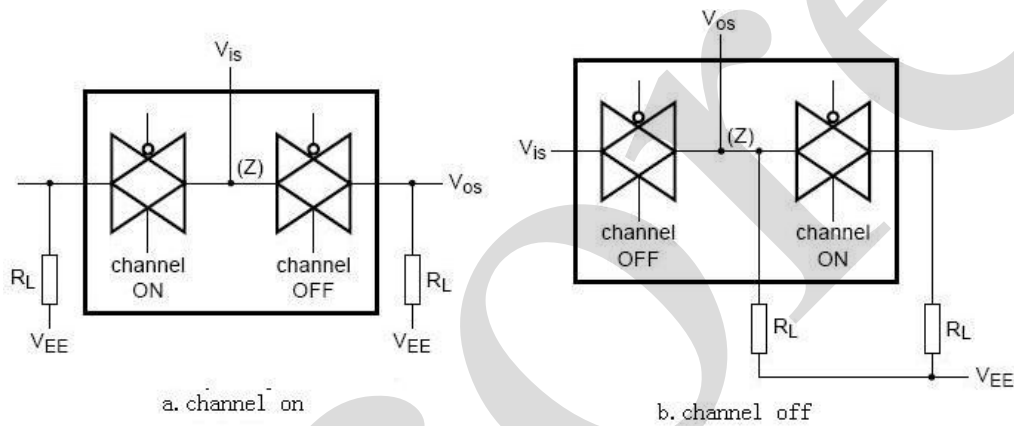
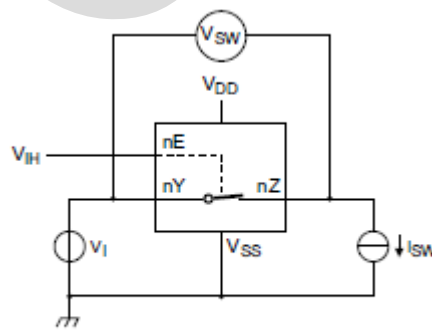


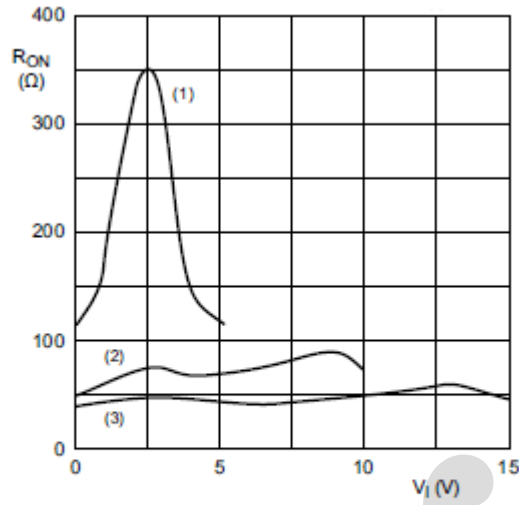
Figure 8. Inter channel Crosstalk

#### 4.4. On Resistance Waveform And Test Circuit



$$R_{ON} = V_{SW} / I_{SW}$$

Figure 9. Test circuit for measuring  $R_{ON}$

 $I_{SW} = 200 \mu A.$ (1)  $V_{DD} = 5 V$ (2)  $V_{DD} = 10 V$ (3)  $V_{DD} = 15 V$ Figure 10. Typical  $R_{ON}$  as a function of input voltage

#### 4.5、 Measurement Points

Supply voltage	Input	Output
$V_{DD}$	$V_M$	$V_M$
3V to 9V	$0.5 \times V_{DD}$	$0.5 \times V_{DD}$

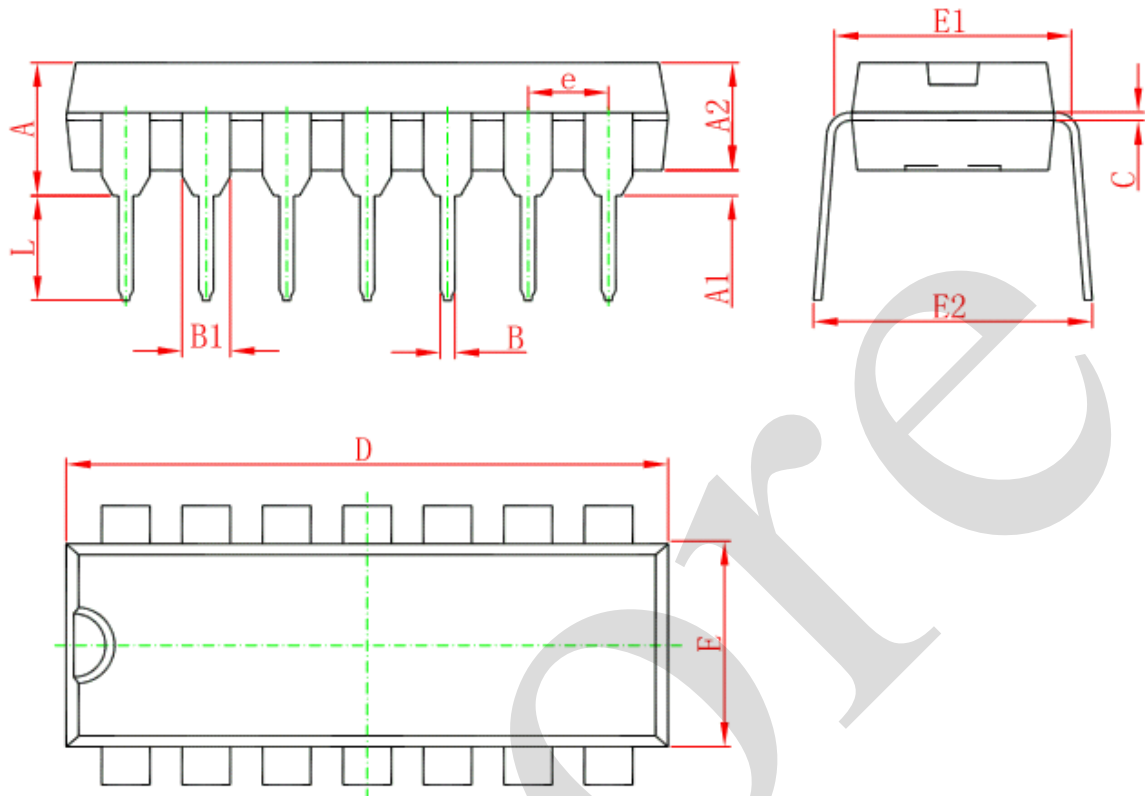
#### 4.6、 Test Data

Test	Input		Load		Switch
	$V_{is}$	$t_r, t_f$	$C_L$	$R_L$	
$t_{PHL}$	$V_{EE}$	20ns	50pF	10kΩ	$V_{DD}$
$t_{PLH}$	$V_{DD}$	20ns	50pF	10kΩ	$V_{EE}$
$t_{PZH}, t_{PHZ}$	$V_{DD}$	20ns	50pF	10kΩ	$V_{EE}$
$t_{PZL}, t_{PLZ}$	$V_{EE}$	20ns	50pF	10kΩ	$V_{DD}$
others	pulse	20ns	50pF	10kΩ	open



## 5、 Package Information

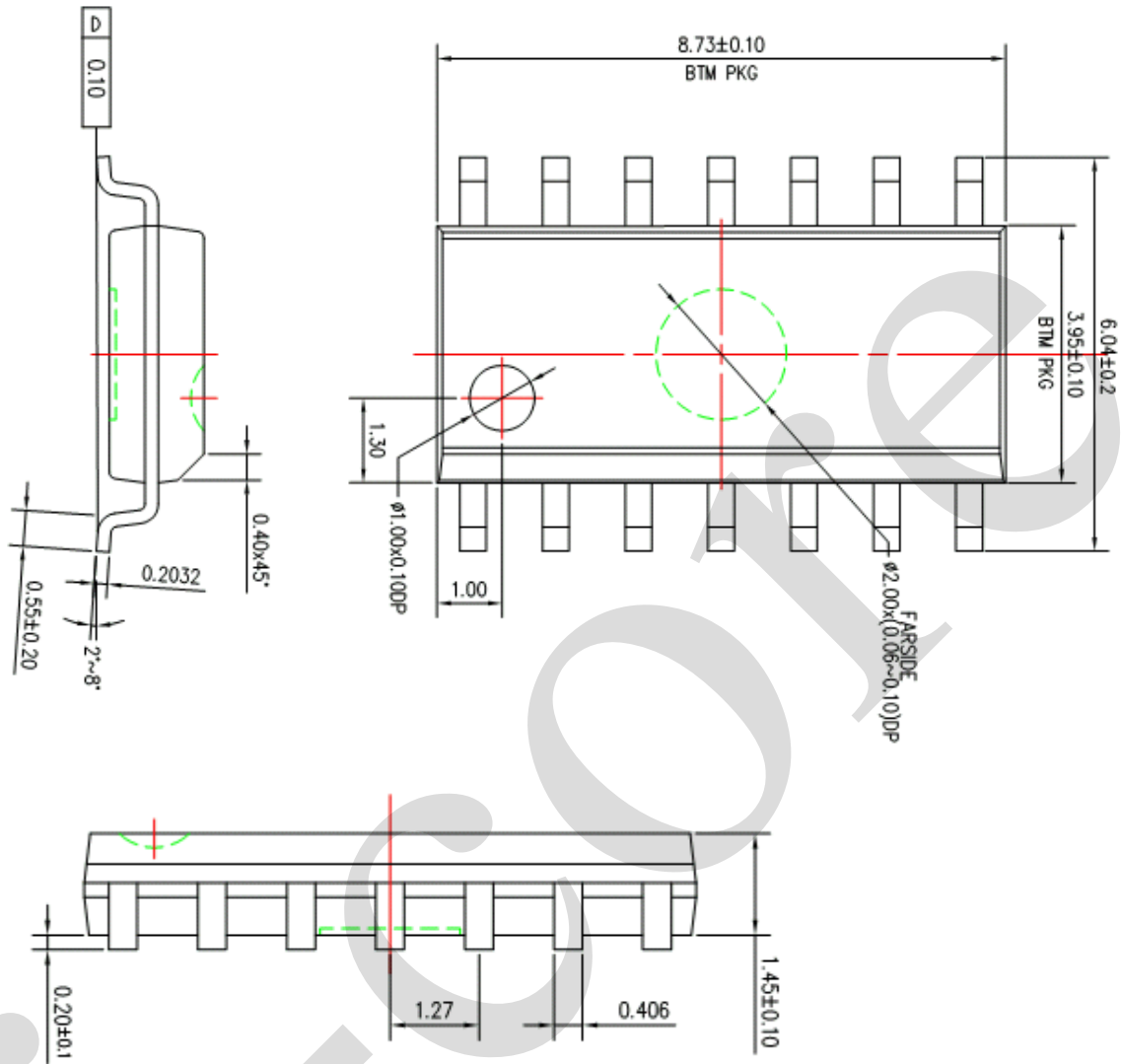
### 5.1、 DIP14



Symbol	Dimensions In Millimeters		Dimensions In Inches	
	Min	Max	Min	Max
A	3.710	4.310	0.146	0.170
A1	0.510		0.020	
A2	3.200	3.600	0.126	0.142
B	0.380	0.570	0.015	0.022
B1	1.524 (BSC)		0.060 (BSC)	
C	0.204	0.360	0.008	0.014
D	18.800	19.200	0.740	0.756
E	6.200	6.600	0.244	0.260
E1	7.320	7.920	0.288	0.312
e	2.540 (BSC)		0.100 (BSC)	
L	3.000	3.600	0.118	0.142
E2	8.400	9.000	0.331	0.354

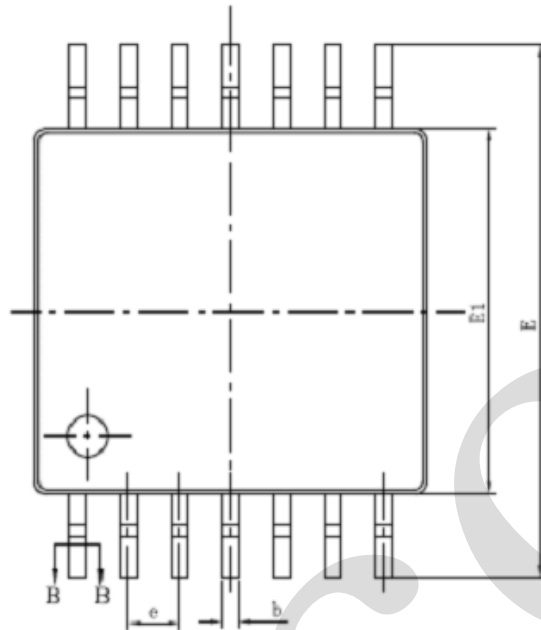
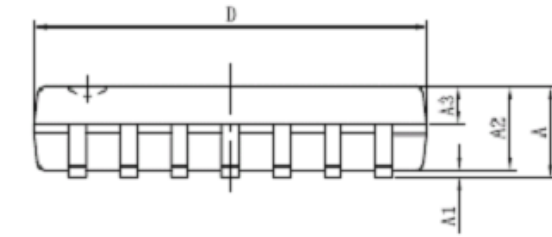


5.2、SOP14

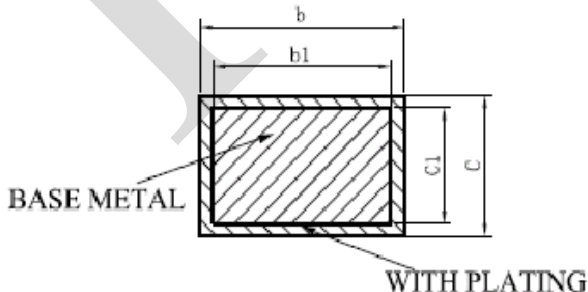
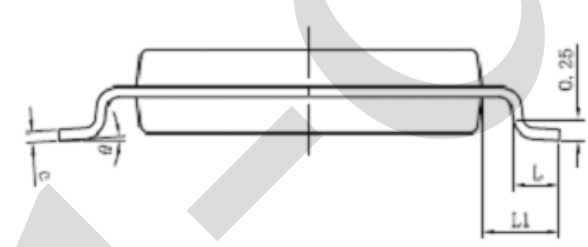




5.3、TSSOP14



SYMBOL	MILLIMETER	
	MIN	MAX
A	—	1.20
A1	0.05	0.15
A2	0.90	1.05
A3	0.39	0.49
b	0.20	0.30
b1	0.19	0.25
c	0.13	0.19
c1	0.12	0.14
D	4.86	5.06
E1	4.30	4.50
E	6.20	6.60
e	0.65BSC	
L	0.45	0.75
L1	1.00BSC	
$\theta$	0	8°



SECTION B-B



## 6、 Statements And Notes

### 6.1、 The name and content of Hazardous substances or Elements in the product

Part name	Hazardous substances or Elements									
	Lead and lead compounds	Mercury and mercury compounds	Cadmium and cadmium compounds	Hexavalent chromium compounds	Polybrominated biphenyls	Polybrominated biphenyl ethers	Dibutyl phthalate	Butylbenzyl phthalate	Di-2-ethylhexyl phthalate	Diisobutyl phthalate
Lead frame	○	○	○	○	○	○	○	○	○	○
Plastic resin	○	○	○	○	○	○	○	○	○	○
Chip	○	○	○	○	○	○	○	○	○	○
The lead	○	○	○	○	○	○	○	○	○	○
Plastic sheet installed	○	○	○	○	○	○	○	○	○	○
explanation	○: Indicates that the content of hazardous substances or elements in the detection limit of the following the SJ/T11363-2006 standard. ×: Indicates that the content of hazardous substances or elements exceeding the SJ/T11363-2006 Standard limit requirements.									

### 6.2、 Notion

Recommended carefully reading this information before the use of this product;

The information in this document are subject to change without notice;

This information is using to the reference only, the company is not responsible for any loss;

The company is not responsible for the any infringement of the third party patents or other rights of the responsibility.