

# SEALING PLUG 9X16 RD - Closing cap



1400259

<https://www.phoenixcontact.com/us/products/1400259>

Please be informed that the data shown in this PDF document is generated from our online catalog. Please find the complete data in the user documentation. Our general terms of use for downloads are valid.

Closing cap, color: red



## Commercial data

Item number	1400259
Packing unit	10 pc
Minimum order quantity	10 pc
Sales key	BF68
Product key	BF7DZX
Catalog page	Page 707 (C-2-2019)
GTIN	4046356478724
Weight per piece (including packing)	1.29 g
Weight per piece (excluding packing)	1.25 g
Customs tariff number	39235090
Country of origin	DE

# SEALING PLUG 9X16 RD - Closing cap



1400259

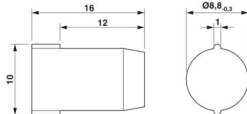
<https://www.phoenixcontact.com/us/products/1400259>

## Technical data

### Product properties

Product type	Sealing plugs
--------------	---------------

### Dimensions

Dimensional drawing	
Width	8.80 mm
Length	16 mm
Diameter	8.8 mm
	8.8 mm

### Material specifications

Material	PA
----------	----

### Environmental and real-life conditions

#### Ambient conditions

Ambient temperature (operation)	-60 °C ... 100 °C
---------------------------------	-------------------

### Mounting

Assembly note	The head of the sealing plug must still be visible after mounting in the screw connection (see "after mounting" photo).
---------------	-------------------------------------------------------------------------------------------------------------------------

# SEALING PLUG 9X16 RD - Closing cap

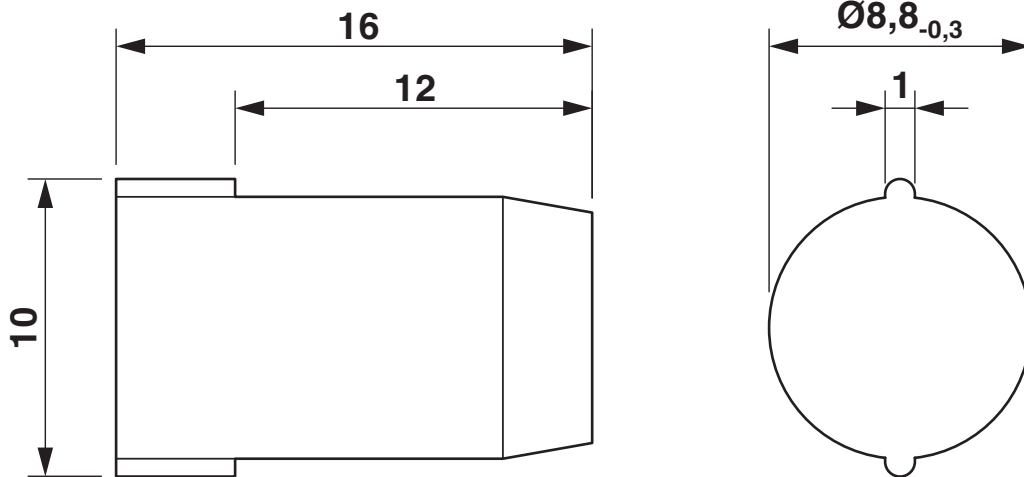
1400259

<https://www.phoenixcontact.com/us/products/1400259>



## Drawings

Dimensional drawing



Dimensional drawing

# SEALING PLUG 9X16 RD - Closing cap



1400259

<https://www.phoenixcontact.com/us/products/1400259>

## Classifications

### ECLASS

ECLASS-11.0	27144433
ECLASS-13.0	23111190

### UNSPSC

UNSPSC 21.0	39121300
-------------	----------

# SEALING PLUG 9X16 RD - Closing cap



1400259

<https://www.phoenixcontact.com/us/products/1400259>

## Environmental product compliance

### EU RoHS

Fulfills EU RoHS substance requirements	Yes, No exemptions
-----------------------------------------	--------------------

### China RoHS

Environment friendly use period (EFUP)	EFUP-E
	No hazardous substances above the limits

### EU REACH SVHC

REACH candidate substance (CAS No.)	No substance above 0.1 wt%
-------------------------------------	----------------------------

Phoenix Contact 2024 © - all rights reserved  
<https://www.phoenixcontact.com>

Phoenix Contact USA  
586 Fulling Mill Road  
Middletown, PA 17057, United States  
(+717) 944-1300  
[info@phoenixcon.com](mailto:info@phoenixcon.com)