

REVISIONS				
EC NO	DATE	REV	DESCRIPTION	CHANGER
	2016.12.13	A	INITIAL RELEASE.	DICK

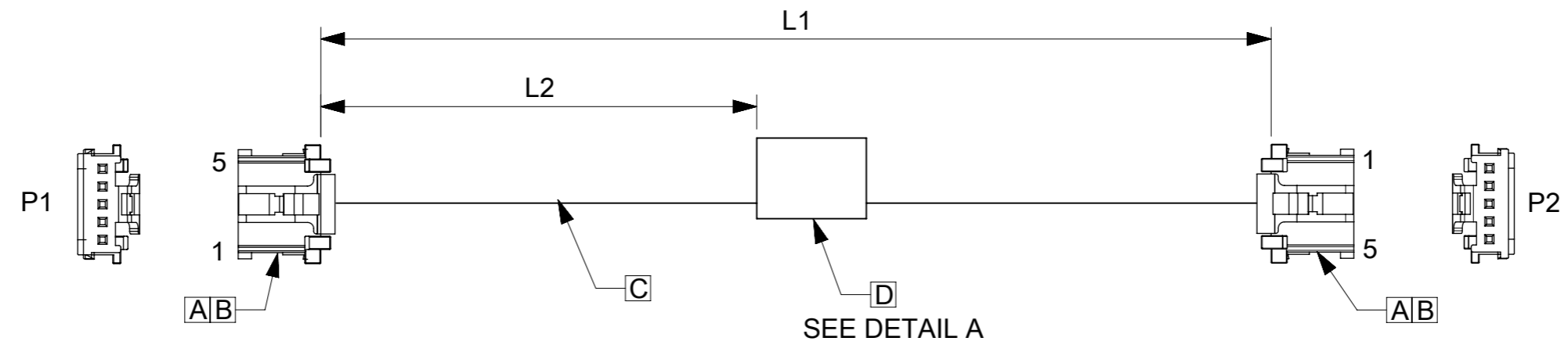


TABLE			
PART NUMBER	L1	L2	TITLE
151360500	50±5	18REF	MicroClasp 5Circuit 50MM
151360501	100±8	44REF	MicroClasp 5Circuit 100MM
151360502	150±10	69REF	MicroClasp 5Circuit 150MM
151360503	300±10	144REF	MicroClasp 5Circuit 300MM
151360505	450±15	219REF	MicroClasp 5Circuit 450MM
151360506	600±15	294REF	MicroClasp 5Circuit 600MM

P/N:15136XXXX MOLEX PN
MOLEX

DETAIL A

NOTES

1. THIS PRODUCT MUST MEET 2011/65/EU ROHS COMPLIANCE.
此产品需符合 2011/65/EU ROHS环保要求.
2. ELECTRICAL PERFORMANCE REFER TO ES-000.
电气特性参考ES-000.
3. LABEL TEXT MUST BE 2mm MAX. IN HEIGHT WITH ARIAL FONT.
标签字高最大2mm,字体ARIAL.

ITEM	DESCRIPTION	L(MM)	QTY
D	Blank label 12.7x35.5mm (WHT:12.7mm) HF		1
C	UL&CSA 1061/#22 STR BLK	A/R	
B	2.0 WtB Crimp Rec Chn, Tin plating		10
A	2.0 WtB Hsg 5Ckt		2

WIRING CHART		
P1	P2	COLOR
1	5	BLACK
2	4	BLACK
3	3	BLACK
4	2	BLACK
5	1	BLACK

THIS DRAWING CONTAINS INFORMATION THAT IS PROPRIETARY TO MOLEX ELECTRONIC TECHNOLOGIES, LLC AND SHOULD NOT BE USED WITHOUT WRITTEN PERMISSION												
QUALITY SYMBOLS 	2016/12/13 2016/12/16 2016/12/19 EC NO: 111611 DRWN: WLXIE CHK'D: DHUANG16 APPR: YXZOU	GENERAL TOLERANCES (UNLESS SPECIFIED) ANGULAR TOL ± °		DIMENSION UNITS MM	SCALE NTS							
		4 PLACES ±	DRWN BY XJGUO01	DATE 2016/11/23	SEE TABLE							
		3 PLACES ±	CHK'D BY DHUANG16	DATE 2016/12/13								
		2 PLACES ±	APPR BY YXZOU	DATE 2016/12/19	PRODUCT CUSTOMER DRAWING							
		1 PLACE ±	DRAFT WHERE APPLICABLE MUST REMAIN WITHIN DIMENSIONS	DRAWING SIZE A3	THIRD ANGLE PROJECTION 	SERIES 201234	MATERIAL NUMBER SEE TABLE	CUSTOMER GENERAL MARKET	DOCUMENT NUMBER 2012341708			DOC TYPE PSD