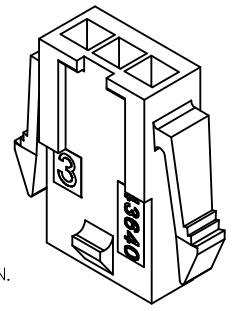


ASSEMBLY ITEM NUMBER	PART CHARACTERISTICS NUMBER OF POSITION
43640-0210	02
43640-0310	03
43640-0410	04
43640-0510	05
43640-0610	06
43640-0710	07
43640-0810	08
43640-0910	09
43640-1010	10
43640-1110	11
43640-1210	12

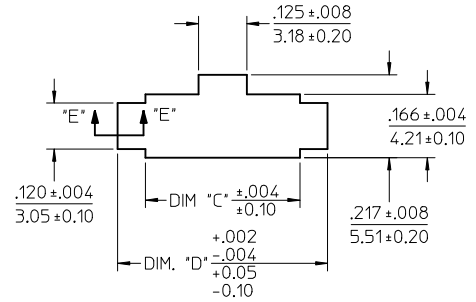
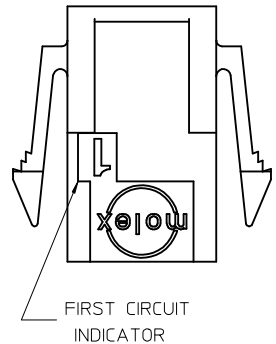
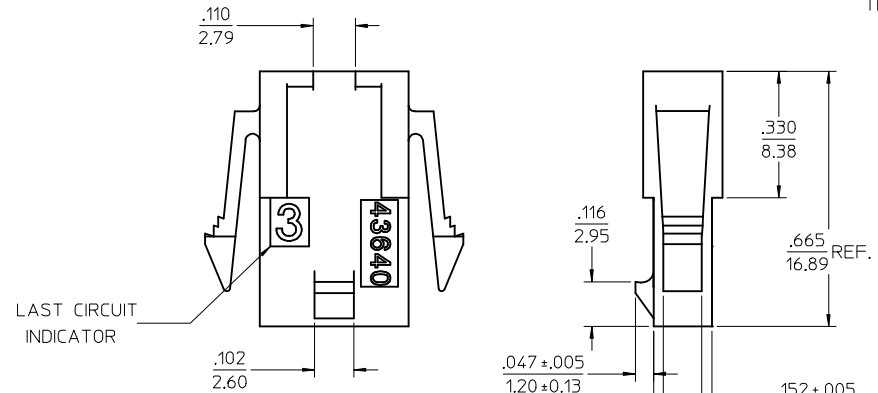
CKT. NO.	DIM. "A"	DIM. "B"	DIM. "C"	DIM. "D"
2	.270/6.85	.118/3.00	.284/7.21	.429/10.90
3	.388/9.85	.236/6.00	.402/10.21	.547/13.89
4	.506/12.85	.354/9.00	.520/13.21	.665/16.89
5	.624/15.85	.472/12.00	.638/16.21	.783/19.89
6	.742/18.85	.591/15.00	.756/19.21	.901/22.89
7	.860/21.85	.709/18.00	.874/22.20	1.019/25.88
8	.978/24.85	.827/21.00	.992/25.20	1.137/28.88
9	1.096/27.85	.945/24.00	1.110/28.20	1.255/31.88
10	1.215/30.85	1.063/27.00	1.229/31.22	1.373/34.87
11	1.333/33.85	1.181/30.00	1.347/34.22	1.491/37.87
12	1.451/36.85	1.299/33.00	1.465/37.22	1.609/40.87

**NOTES:**

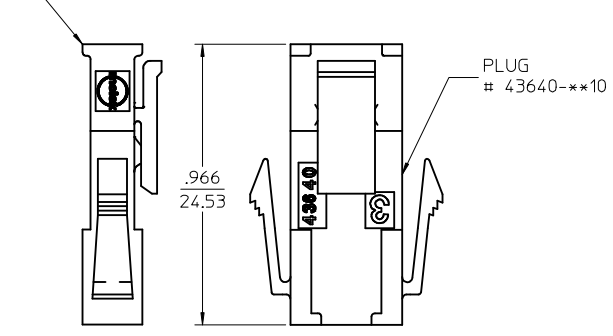
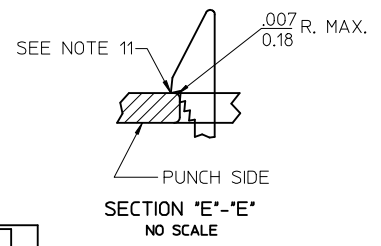
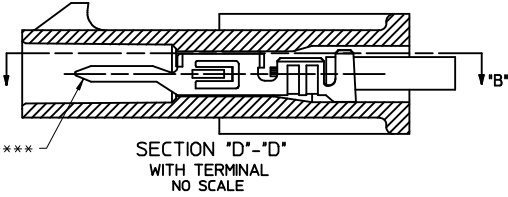
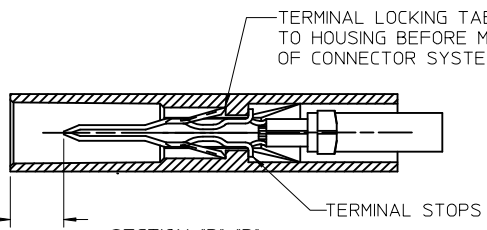
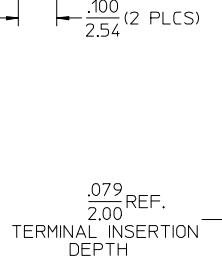
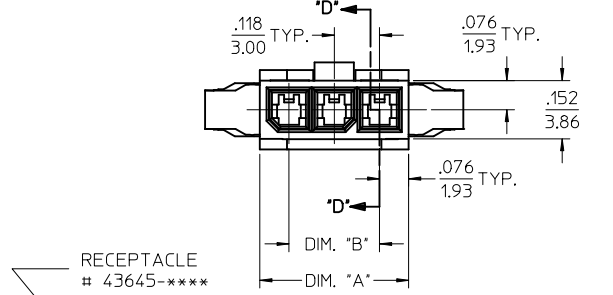
- HOUSING MATERIAL: UNFILLED NYLON, RATED UL94V-2, IEC 60335-1, 4TH EDITION GLOW WIRE CAPABLE, COLOR IS BLACK.  
\*MATERIAL NUMBERS ON THIS DRAWING ARE GLOW WIRE CAPABLE SINCE INCEPTION.
- FINISH: NONE
- PRODUCT SPECIFICATION: PS-43650
- PACKAGING SPECIFICATION: PK-43640-003
- THIS HOUSING MATES WITH MICRO-FIT RECEPTACLE #43645-\*\*\*\*.
- THIS HOUSING IS DESIGNED IN METRIC
- THIS HOUSING TO BE USED WITH MOLEX MALE TERMINAL #43031-\*\*\*\*.
- PLUG DESIGNED FOR .062/1.57 TO .090/2.30 THICK STAMPED PANEL OR P.C.BOARD.
- SEE SECTION "D"-"D" FOR TERMINAL ORIENTATION IN HOUSING.
- SEE SHEET 2 FOR PLUG WITHOUT PANEL MOUNTS.
- PANEL MOUNT FEATURES MUST LOCK ON SIDE OPPOSITE PUNCH SIDE FOR OPTIMUM RETENTION.
- THIS PART CONFORMS TO CLASS 'B' REQUIREMENTS OF COSMETIC SPECIFICATION PS-45499-002, WITH THE EXCEPTION THAT FLASH, DISCOLORATION, AND SINK MEET CLASS 'C' REQUIREMENTS.
- HOUSINGS MAY HAVE DISCOLORATION AREAS THAT DO NOT AFFECT FUNCTIONALITY. DISCOLORATION AREAS MAY EXTEND ACROSS THE ENTIRE LENGTH OF THE FACES OF THE PART.



PLUG WITH PANEL MOUNTS



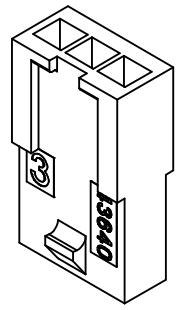
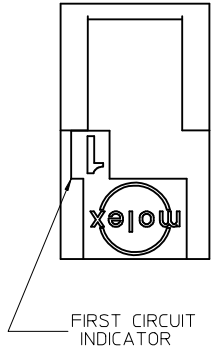
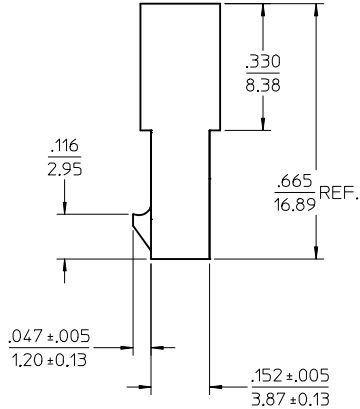
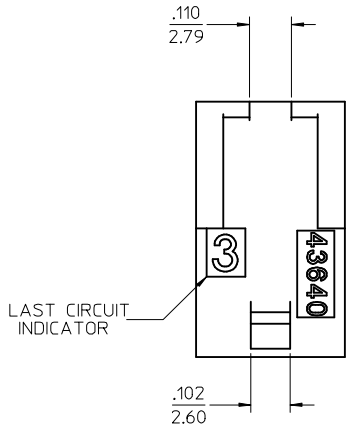
RECOMMENDED PANEL CUT-OUT (SEE NOTES 8 & 11)



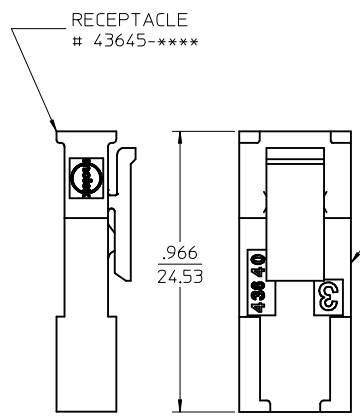
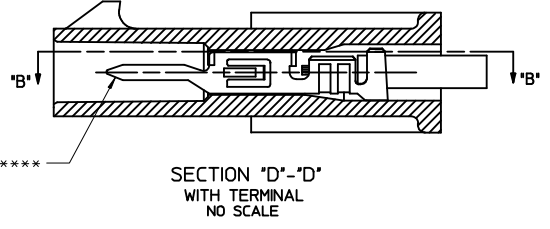
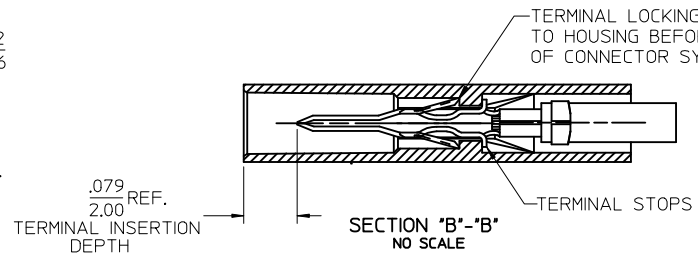
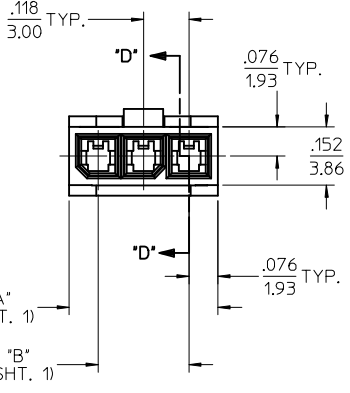
MATED MICRO-FIT CONNECTOR

UPDATE PUNCHED HOLE IEC NO: UCP2017-0525 DRWIN:JOUILES 2016/09/14 CHKD:SSOUSEK 2016/09/14 APPR:FSMITH 2016/10/07	QUALITY SYMBOLS ∇=0 ∇=0 ∇=0	GENERAL TOLERANCES (UNLESS SPECIFIED) mm INCH 4 PLACES ± --- ± --- 3 PLACES ± --- ± .010 2 PLACES ± .025 ± .014 1 PLACE ± 0.35 ± --- 0 PLACE ± --- ± --- ANGULAR ± 5 °	DIMENSION STYLE IN/MM DRAWN BY DATE JMONT1 2015/06/16 CHECKED BY DATE BANDERSON 2015/06/16 APPROVED BY DATE BPI SZCZOR 2016/06/10	SCALE 4:1 DESIGN UNITS METRIC THIRD ANGLE PROJECTION	TITLE MICRO-FIT (3.0) IN-LINE PLUG W/ OPTIONAL PANEL MOUNTS, GLOW WIRE <b>molex</b>	DOCUMENT NO. SD-43640-002 SHEET NO. 1 OF 2

ASSEMBLY ITEM NUMBER	PART CHARACTERISTICS NUMBER OF POSITION
43640-0211	02
43640-0311	03
43640-0411	04
43640-0511	05
43640-0611	06
43640-0711	07
43640-0811	08
43640-0911	09
43640-1011	10
43640-1111	11
43640-1211	12



PLUG WITHOUT PANEL MOUNTS



MATED MICRO-FIT CONNECTOR

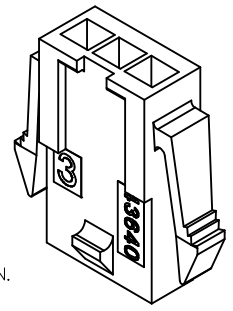
REV	DESCRIPTION	QUALITY SYMBOLS	GENERAL TOLERANCES (UNLESS SPECIFIED)		DIMENSION STYLE		SCALE	DESIGN UNITS	THIRD ANGLE PROJECTION
			mm	INCH	IN/MM	DATE			
A1	SEE SHEET 1 EC NO: UCP2017-0525 DRWN: JUILLES 2016/09/14 CHKD: SSOUSEK 2016/09/14 APPR: FSMITH 2016/10/07	▽=0 ▽=0 ▽=0	4 PLACES ± .005	± .005	DRAWN BY JMONT1	DATE 2015/06/16	4:1	METRIC	MICRO-FIT (3.0) IN-LINE PLUG W/ OPTIONAL PANEL MOUNTS, GLOW WIRE <b>molex</b>
			3 PLACES ± .010	± .010	CHECKED BY BANDERSON	DATE 2015/06/16			
			2 PLACES ± 0.25	± .014	APPROVED BY BPI SZCZOR	DATE 2016/06/10			DOCUMENT NO. SD-43640-002
			1 PLACE ± 0.35	± .014	MATERIAL NO. SEE CHART				SHEET NO. 2 OF 2
			0 PLACE ± .005	± .014	DRAFT WHERE APPLICABLE MUST REMAIN WITHIN DIMENSIONS				THIS DRAWING CONTAINS INFORMATION THAT IS PROPRIETARY TO MOLEX INCORPORATED AND SHOULD NOT BE USED WITHOUT WRITTEN PERMISSION

ASSEMBLY ITEM NUMBER	PART CHARACTERISTICS NUMBER OF POSITION
43640-0210	02
43640-0310	03
43640-0410	04
43640-0510	05
43640-0610	06
43640-0710	07
43640-0810	08
43640-0910	09
43640-1010	10
43640-1110	11
43640-1210	12

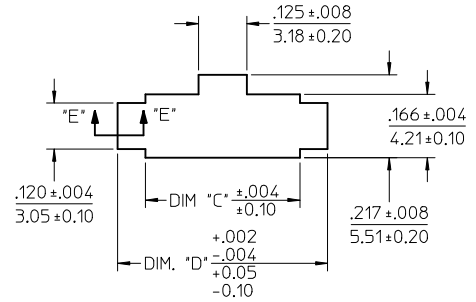
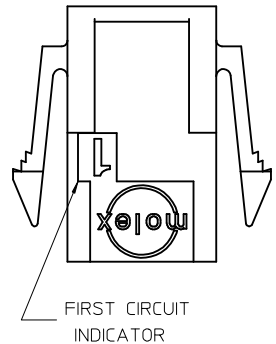
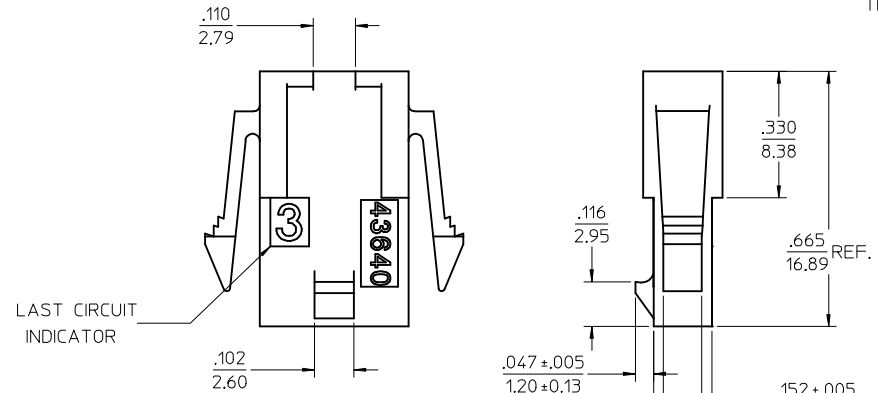
CKT. NO.	DIM. "A"	DIM. "B"	DIM. "C"	DIM. "D"
2	.270/6.85	.118/3.00	.284/7.21	.429/10.90
3	.388/9.85	.236/6.00	.402/10.21	.547/13.89
4	.506/12.85	.354/9.00	.520/13.21	.665/16.89
5	.624/15.85	.472/12.00	.638/16.21	.783/19.89
6	.742/18.85	.591/15.00	.756/19.21	.901/22.89
7	.860/21.85	.709/18.00	.874/22.20	1.019/25.88
8	.978/24.85	.827/21.00	.992/25.20	1.137/28.88
9	1.096/27.85	.945/24.00	1.110/28.20	1.255/31.88
10	1.215/30.85	1.063/27.00	1.229/31.22	1.373/34.87
11	1.333/33.85	1.181/30.00	1.347/34.22	1.491/37.87
12	1.451/36.85	1.299/33.00	1.465/37.22	1.609/40.87

**NOTES:**

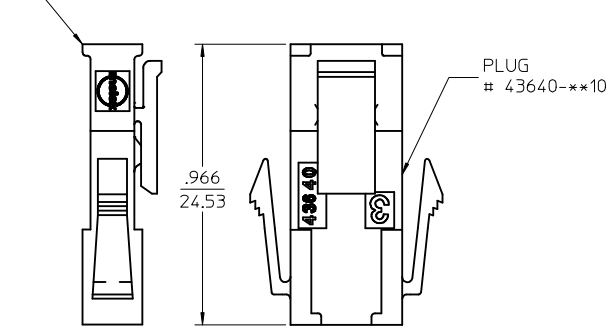
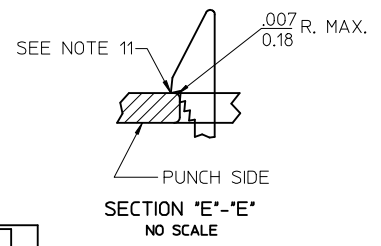
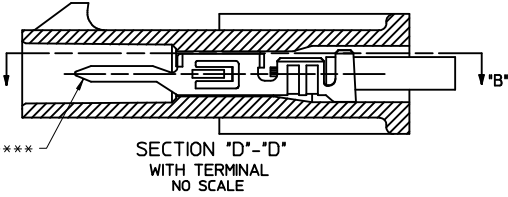
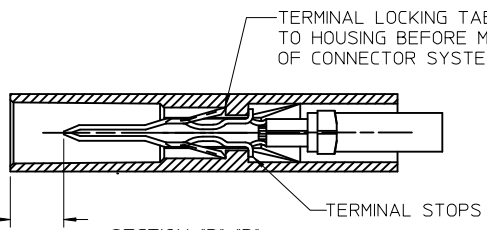
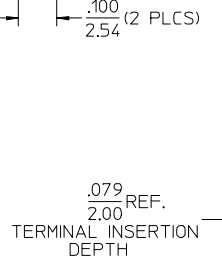
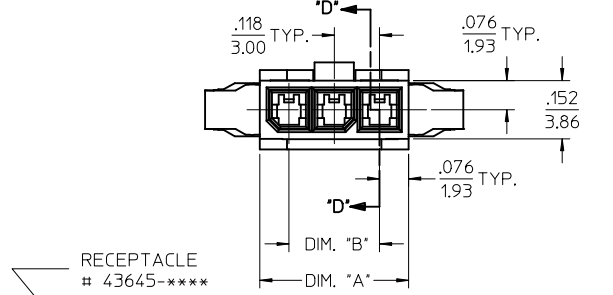
- HOUSING MATERIAL: UNFILLED NYLON, RATED UL94V-2, IEC 60335-1, 4TH EDITION GLOW WIRE CAPABLE, COLOR IS BLACK.  
\*MATERIAL NUMBERS ON THIS DRAWING ARE GLOW WIRE CAPABLE SINCE INCEPTION.
- FINISH: NONE
- PRODUCT SPECIFICATION: PS-43650
- PACKAGING SPECIFICATION: PK-43640-003
- THIS HOUSING MATES WITH MICRO-FIT RECEPTACLE #43645-\*\*\*\*.
- THIS HOUSING IS DESIGNED IN METRIC
- THIS HOUSING TO BE USED WITH MOLEX MALE TERMINAL #43031-\*\*\*\*.
- PLUG DESIGNED FOR .062/1.57 TO .090/2.30 THICK STAMPED PANEL OR P.C.BOARD.
- SEE SECTION "D"-"D" FOR TERMINAL ORIENTATION IN HOUSING.
- SEE SHEET 2 FOR PLUG WITHOUT PANEL MOUNTS.
- PANEL MOUNT FEATURES MUST LOCK ON SIDE OPPOSITE PUNCH SIDE FOR OPTIMUM RETENTION.
- THIS PART CONFORMS TO CLASS 'B' REQUIREMENTS OF COSMETIC SPECIFICATION PS-45499-002, WITH THE EXCEPTION THAT FLASH, DISCOLORATION, AND SINK MEET CLASS 'C' REQUIREMENTS.
- HOUSINGS MAY HAVE DISCOLORATION AREAS THAT DO NOT AFFECT FUNCTIONALITY. DISCOLORATION AREAS MAY EXTEND ACROSS THE ENTIRE LENGTH OF THE FACES OF THE PART.



PLUG WITH PANEL MOUNTS



RECOMMENDED PANEL CUT-OUT (SEE NOTES 8 & 11)



MATED MICRO-FIT CONNECTOR

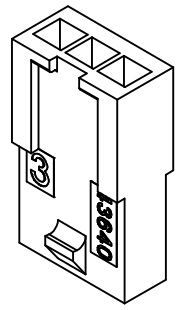
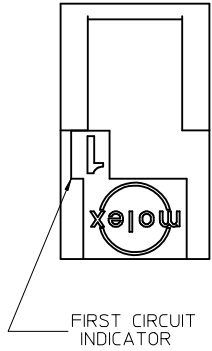
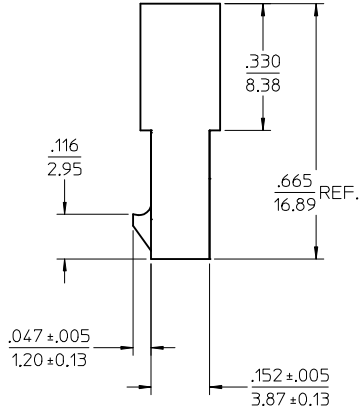
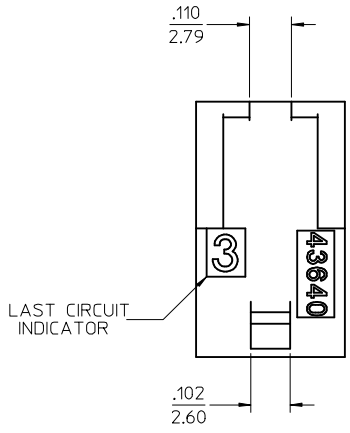
REV	DESCRIPTION	QUALITY SYMBOLS
A1	UPDATE PUNCHED HOLE IEC NO: UCP2017-0525 DRWIN:JOUILES 2016/09/14 CHKD:SSOUSEK 2016/09/14 APPR:FSMITH 2016/10/07	▽=0 ▽=0 ▽=0

GENERAL TOLERANCES (UNLESS SPECIFIED)	
mm	INCH
4 PLACES ± ---	± ---
3 PLACES ± ---	± .010
2 PLACES ± .25	± .014
1 PLACE ± 0.35	± ---
0 PLACE ± ---	± ---
ANGULAR ± 5 °	
DRAFT WHERE APPLICABLE MUST REMAIN WITHIN DIMENSIONS	

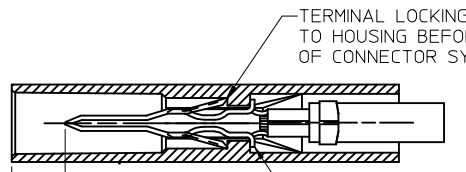
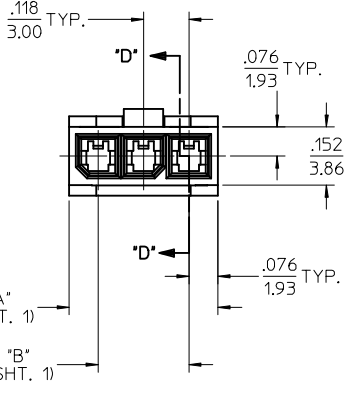
DIMENSION STYLE	
IN/MM	
DRAWN BY	DATE
JMONT1	2015/06/16
CHECKED BY	DATE
BANDERSON	2015/06/16
APPROVED BY	DATE
BPI SZCZOR	2016/06/10
MATERIAL NO.	
SEE CHART	
SIZE	C

SCALE	DESIGN UNITS	THIRD ANGLE PROJECTION
4:1	METRIC	☉
TITLE		
MICRO-FIT (3.0) IN-LINE PLUG W/ OPTIONAL PANEL MOUNTS, GLOW WIRE		
<b>molex</b>		
DOCUMENT NO.	SHEET NO.	
SD-43640-002	1 OF 2	
THIS DRAWING CONTAINS INFORMATION THAT IS PROPRIETARY TO MOLEX. INCORPORATED AND SHOULD NOT BE USED WITHOUT WRITTEN PERMISSION		

ASSEMBLY ITEM NUMBER	PART CHARACTERISTICS NUMBER OF POSITION
43640-0211	02
43640-0311	03
43640-0411	04
43640-0511	05
43640-0611	06
43640-0711	07
43640-0811	08
43640-0911	09
43640-1011	10
43640-1111	11
43640-1211	12

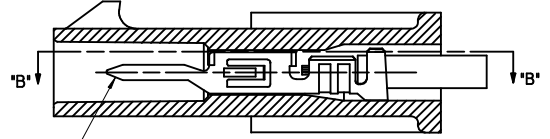


PLUG WITHOUT PANEL MOUNTS



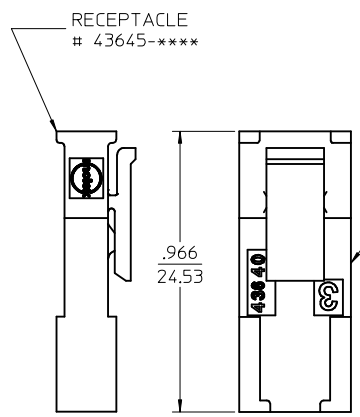
TERMINAL INSERTION DEPTH

SECTION 'B'-'B' NO SCALE



TERMINAL #43031-\*\*\*\*

SECTION 'D'-'D' WITH TERMINAL NO SCALE



MATED MICRO-FIT CONNECTOR

REV	DESCRIPTION	QUALITY SYMBOLS	GENERAL TOLERANCES (UNLESS SPECIFIED)		DIMENSION STYLE IN/MM		SCALE 4:1	DESIGN UNITS METRIC	THIRD ANGLE PROJECTION
			mm	INCH	DRAWN BY	DATE			
A1	SEE SHEET 1 EC NO: UCP2017-0525 DRWN: JUILLES 2016/09/14 CHKD: SSOUSEK 2016/09/14 APPR: FSMITH 2016/10/07	▽=0 ▽=0 ▽=0	4 PLACES ± .005	± .005	JMONT1	2015/06/16	TITLE <b>MICRO-FIT (3.0) IN-LINE PLUG W/ OPTIONAL PANEL MOUNTS, GLOW WIRE</b> <b>molex</b>	DOCUMENT NO. <b>SD-43640-002</b>	SHEET NO. <b>2 OF 2</b>
			3 PLACES ± .005	± .010	CHECKED BY	DATE			
			2 PLACES ± 0.25	± .014	BANDERSON	2015/06/16			
			1 PLACE ± 0.35	± .---	APPROVED BY	DATE			
			0 PLACE ± .---	± .---	BPISZCZOR	2016/06/10			
			ANGULAR ± 5 °		MATERIAL NO.				
			DRAFT WHERE APPLICABLE MUST REMAIN WITHIN DIMENSIONS		SEE CHART				
			SIZE C		THIS DRAWING CONTAINS INFORMATION THAT IS PROPRIETARY TO MOLEX INCORPORATED AND SHOULD NOT BE USED WITHOUT WRITTEN PERMISSION				