

# RTE Series Low Profile Rotary DIP Switches



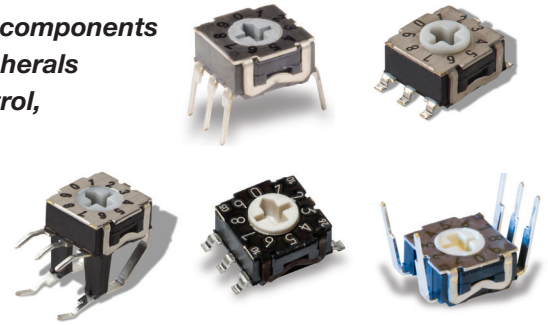
H  
DIP

## Features/Benefits

- Thru-hole and surface mount models
- Miniature size with robust metal cover in black or silver nickel finish
- 4, 10, & 16 positions
- Large choice of codings
- Vertical or reverse versions
- RoHS compliant

## Typical Applications

- Timers, automation components
- Computer and peripherals
- Alarms, access control, smoke detectors
- Instrumentation



## Specifications

### CONTACT RATING:

Gold: 100 mA max. 10 $\mu$  A min. 30 V DC max. 20 mVDC min.

MECHANICAL LIFE: 20,000 actuations

CONTACT RESISTANCE: 100 m $\Omega$  max. initial;  
150 m $\Omega$  after life

INSULATION RESISTANCE: 10<sup>10</sup>  $\Omega$  min. initial  
DIELECTRIC STRENGTH: 300 Vrms 1 mn

OPERATING TEMPERATURE: -25°C to 85°C.

STORAGE TEMPERATURE: -40°C to 85°C.

PACKAGING: N or R terminations in tube.

V termination in box. G termination in reel, 750 pieces per reel. G termination with flush actuator, 1250 pieces per reel.

COVER: Brass, nickel plated (black or silver)

BASE: PPS

ACTUATOR: LCP

MOVABLE CONTACTS: Bronze, gold plated.

STATIONARY CONTACTS: Brass, gold plated.

TERMINALS: See page I-28 to I-29

O-RING: Silicone

**Note:** Specifications and materials listed above are for switches with standard options. For information on specific and custom switches, consult Customer Service Center.

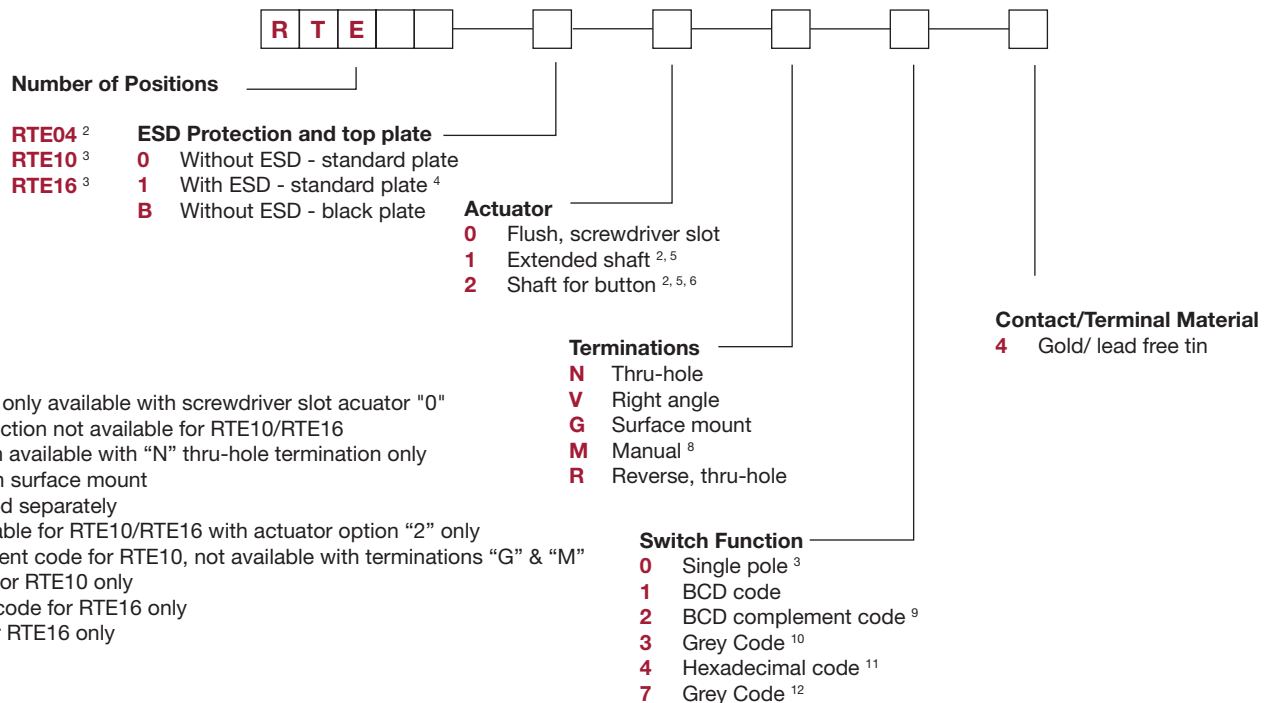
Solderability: Wave soldering 260°/10 s.

SMT are reflow compatible according to C&K lead free specification for SMT components PS-LF-001.

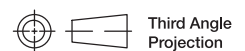
## How To Order

The Build-A Switch concept allows you to mix and match options to create the switch you need. Below is a complete listing of options shown in catalog. To order, simply select desired option from each category and place in the appropriate box.

*NOTE: Some of the configurations may not be available or could require some development.*



- 2 - RTE04 version only available with screwdriver slot acuator "0"
- 3 - Single pole function not available for RTE10/RTE16
- 4 - ESD protection available with "N" thru-hole termination only
- 5 - Not available in surface mount
- 6 - Buttons ordered separately
- 8 - Manual - available for RTE10/RTE16 with actuator option "2" only
- 9 - BCD complement code for RTE10, not available with terminations "G" & "M"
- 10 - Grey Code - for RTE10 only
- 11 - Hexidecimal code for RTE16 only
- 12 - Grey code for RTE16 only



Dimensions are shown: Inch (mm)  
Specifications and dimensions subject to change



# RTE Series Low Profile Rotary DIP Switches

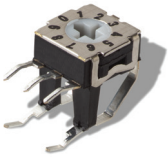
## SWITCHES WITH STANDARD OPTIONS

### PC Mount-Terminal Option N



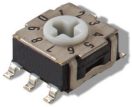
PART NUMBER WITHOUT ESD PIN	WITH ESD PIN	NO. POS.	FUNCTION	QTY PER TUBE
<b>RTE0400N04</b>	<b>RTE0410N04</b>	4	SP4T	65
<b>RTE1000N14</b>	<b>RTE1010N14</b>	10	BCD	65
<b>RTE1600N44</b>	<b>RTE1610N44</b>	16	HEXADECIMAL	65

### Right Angle Mount-Terminal Option V



PART NUMBER	NO. POS.	FUNCTION	QUANTITY
<b>RTE0400V04</b>	4	SP4T	150 per box
<b>RTE1000V14</b>	10	BCD	150 per box
<b>RTE1600V44</b>	16	HEXADECIMAL	150 per box

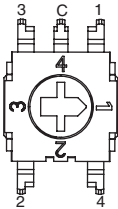
### Surface Mount-Terminal Option G



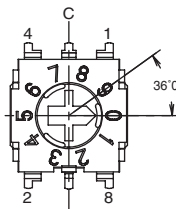
PART NUMBER	NO. POS.	FUNCTION	QUANTITY PER REEL
<b>RTE0400G04</b>	04	SP4T	1250
<b>RTE1000G14</b>	10	BCD	1250
<b>RTE1600G44</b>	16	HEXADECIMAL	1250

## NUMBER OF POSITIONS

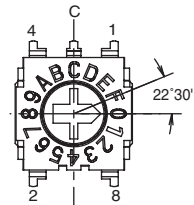
### RTE04 4 POSITION



### RTE10 10 POSITION



### RTE16 16 POSITION



Third Angle  
Projection

Dimensions are shown: Inch (mm)  
Specifications and dimensions subject to change

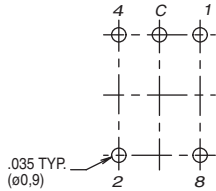
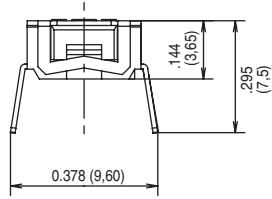
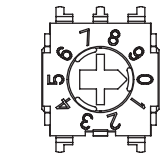
# RTE Series Low Profile Rotary DIP Switches

## ESD PROTECTION

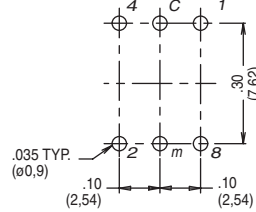
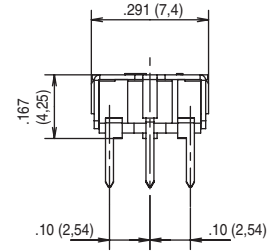
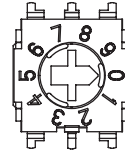


H  
DIP

### 0 WITHOUT



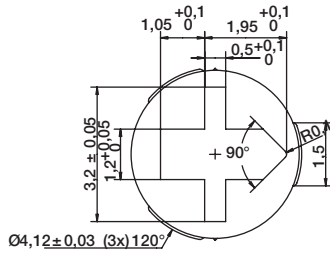
### 1 WITH



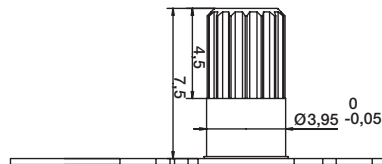
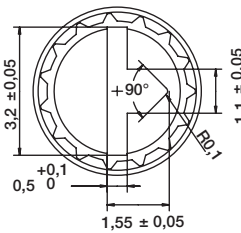
## ACTUATOR



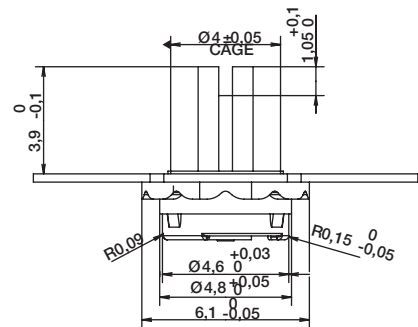
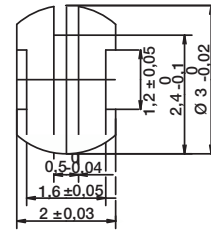
### 0 FLUSH, SCREWDRIVER SLOT



### 1 EXTENDED SHAFT (not available in surface mount)



### 2 SHAFT FOR BUTTON



Dimensions are shown: Inch (mm)  
Specifications and dimensions subject to change

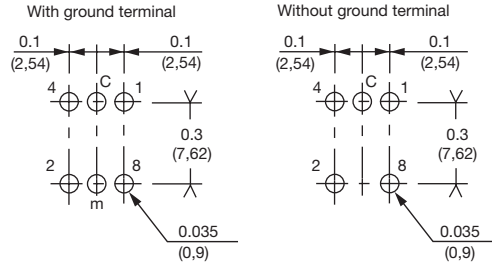
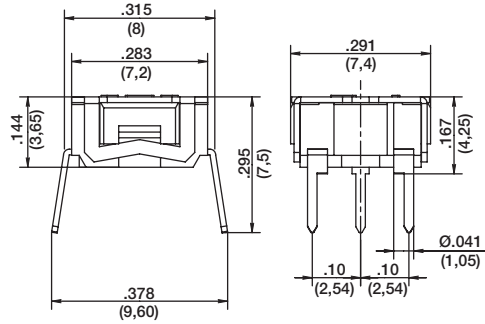


# RTE Series Low Profile Rotary DIP Switches

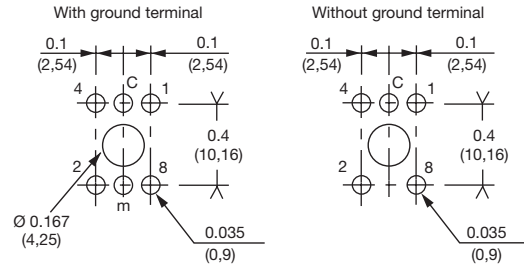
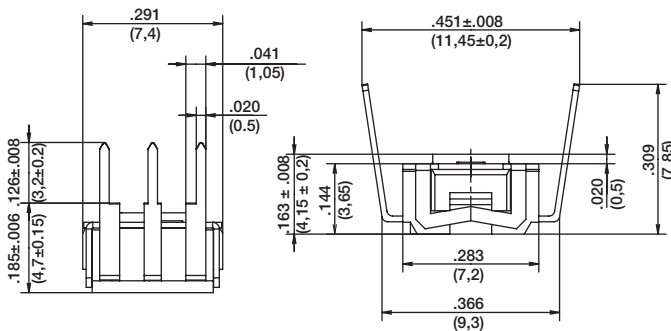
## TERMINATIONS



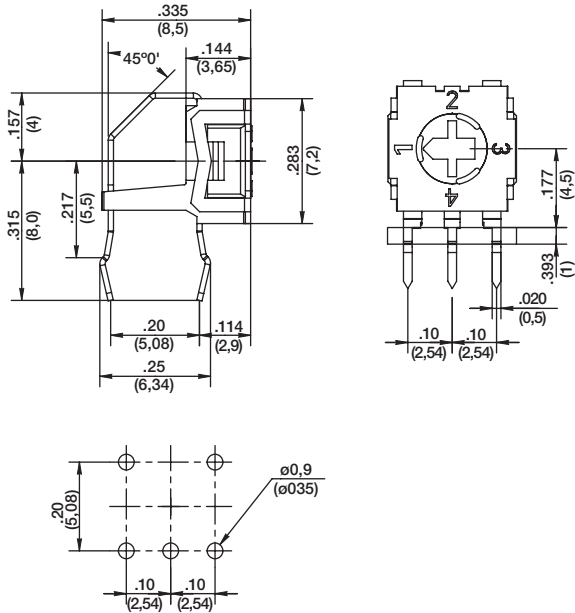
### N THRU-HOLE



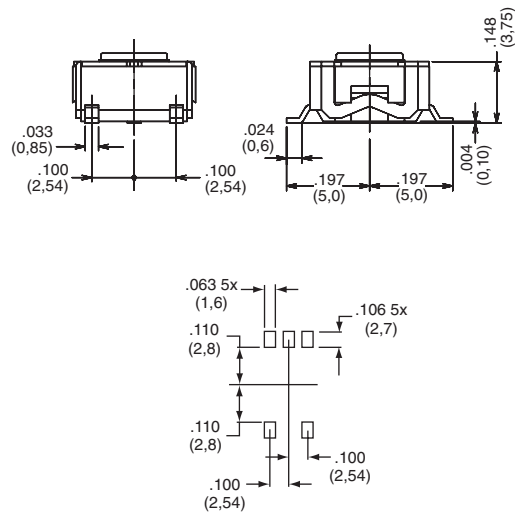
### R REVERSE, THRU-HOLE



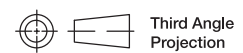
### V RIGHT ANGLE, THRU-HOLE



### G SURFACE MOUNT



PCB layout seen component side

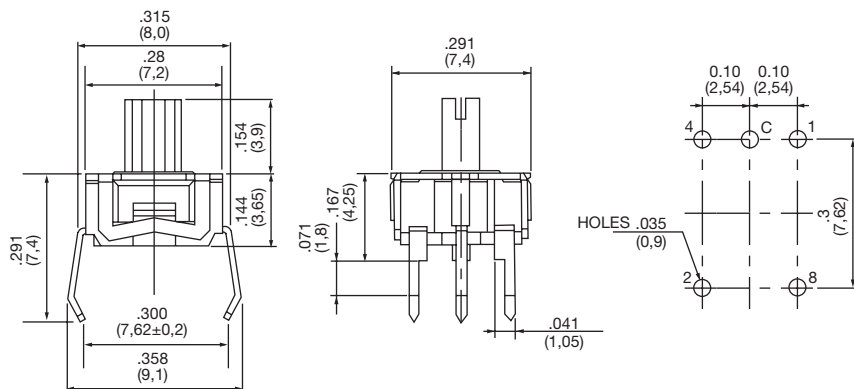


Third Angle  
Projection  
Dimensions are shown: Inch (mm)  
Specifications and dimensions subject to change

# RTE Series Low Profile Rotary DIP Switches

## TERMINATIONS

**M** OPTION



## SWITCH FUNCTION

**0** SINGLE POLE

POS.	1	2	3	4
C	●	●	●	●
1	●			
2		●		
3			●	
4				●

**1** BCD CODE

POS.	0	1	2	3	4	5	6	7	8	9
C	●	●	●	●	●	●	●	●	●	●
1		●		●		●		●		●
2			●			●		●		●
4				●	●	●	●			
8								●	●	

**2** BCD COMPLEMENT CODE

POS.	0	1	2	3	4	5	6	7	8	9
C	●	●	●	●	●	●	●	●	●	●
1	●				●		●		●	
2		●								●
4	●	●	●						●	●
8	●	●	●	●	●	●	●	●		

Other codes available by request.

**3** GREY CODE ( for RTE10 only )

POS.	0	1	2	3	4	5	6	7	8	9
C	●	●	●	●	●	●	●	●	●	●
1		●				●		●		●
2			●	●	●	●				●
4					●	●	●	●	●	
8									●	●

**4** HEXADECIMAL CODE

POS.	0	1	2	3	4	5	6	7	8	9	10	11	12	13	14	15
C	●	●	●	●	●	●	●	●	●	●	●	●	●	●	●	●
1		●		●		●		●		●		●		●		●
2			●	●		●		●		●		●		●		●
4					●	●	●	●		●		●		●		●
8									●	●	●	●	●	●	●	●

**7** GREY CODE (for RTE04 only)

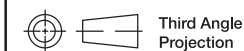
POS.	1	2	3	4
C	●	●	●	●
1	●			
2		●		
4			●	
8				●

(for RTE16 only)

POS.	0	1	2	3	4	5	6	7	8	9	A	B	C	D	E	F
C	●	●	●	●	●	●	●	●	●	●	●	●	●	●	●	●
1		●				●		●		●		●		●		●
2			●	●	●	●										
4					●	●	●	●	●	●	●	●	●	●	●	●
8									●	●	●	●	●	●	●	●

## CONTACT MATERIAL

OPTION CODE	RoHS COMPLIANT	RoHS COMPATIBLE	CONTACT MATERIAL	TERMINAL PLATING
<b>4</b>	YES	YES	GOLD	LEAD FREE TIN



Third Angle  
Projection

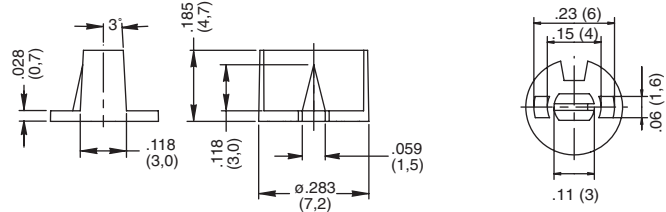
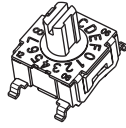
Dimensions are shown: Inch (mm)  
Specifications and dimensions subject to change

# RTE Series Low Profile Rotary DIP Switches

## BUTTONS AVAILABLE

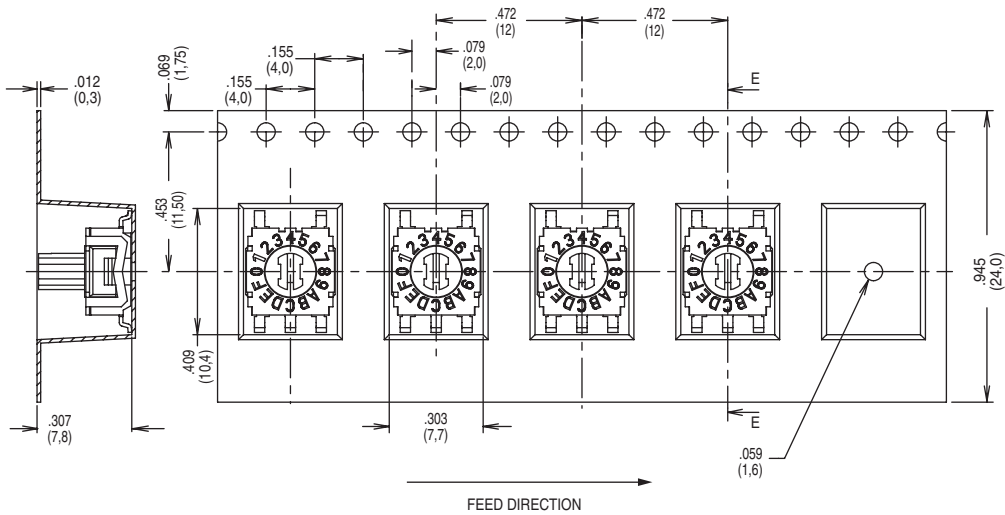
Buttons are ordered separately, shipped in bulk.

Part Number	Color
<b>BTN RTE 40</b>	Red
<b>BTN RTE 50</b>	Green
<b>BTN RTE 90</b>	Black

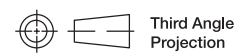
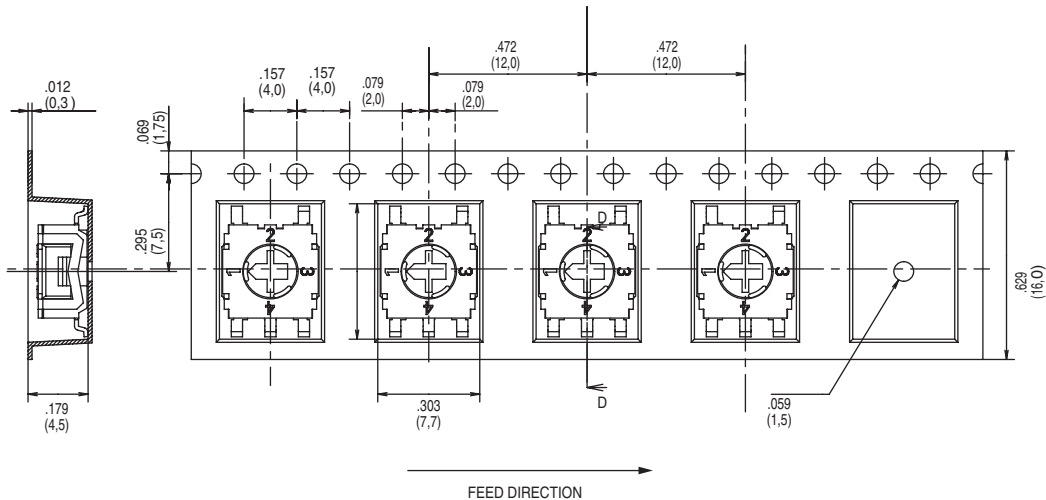


## TAPE AND REEL

Tape and reel for RTExx02Gxx  
750 pieces per reel.



Tape and reel for RTExx00Gxx  
1,250 pieces per reel.



Dimensions are shown: Inch (mm)  
Specifications and dimensions subject to change