

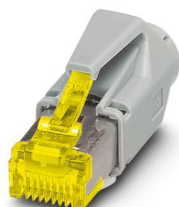
# CUC-STD-C1PGY-S/R4EA:1 - RJ45 connector



1414395

<https://www.phoenixcontact.com/us/products/1414395>

Please be informed that the data shown in this PDF document is generated from our online catalog. Please find the complete data in the user documentation. Our general terms of use for downloads are valid.



RJ45 connector, design: RJ45, degree of protection: IP20, number of positions: 8, 10 Gbps, CAT6<sub>A</sub>, material: Plastic, connection method: Crimp connection, connection cross section: AWG 24- 27, cable outlet: straight, color: gray, Ethernet

## Your advantages

- Reliable 360° shield contact due to the proven crimp connection
- Easy installation with a crimping tool
- Pin insert for V.06 sleeve housing VS-08-T-H-RJ45/IP67

## Commercial data

|                                      |                     |
|--------------------------------------|---------------------|
| Item number                          | 1414395             |
| Packing unit                         | 1 pc                |
| Minimum order quantity               | 1 pc                |
| Sales key                            | AB10                |
| Product key                          | ABNAAH              |
| Catalog page                         | Page 372 (C-2-2019) |
| GTIN                                 | 4055626027098       |
| Weight per piece (including packing) | 6.7 g               |
| Weight per piece (excluding packing) | 6 g                 |
| Customs tariff number                | 85366990            |
| Country of origin                    | TW                  |

1414395

<https://www.phoenixcontact.com/us/products/1414395>

## Technical data

### Product properties

|                      |                             |
|----------------------|-----------------------------|
| Product type         | Data connector (cable side) |
| Type                 | RJ45                        |
| Sensor type          | Ethernet                    |
| Number of positions  | 8                           |
| Connection profile   | RJ45                        |
| No. of cable outlets | 1                           |
| Type                 | RJ45                        |
| Shielded             | yes                         |
| Cable outlet         | straight                    |
| Positions/contacts   | 8P8C                        |

### Insulation characteristics

|                      |   |
|----------------------|---|
| Overvoltage category | I |
| Degree of pollution  | 2 |

### Electrical properties

|   |  |
|---|--|
| Rated voltage (III/3)                   | 72 V (DC)                              |
| Rated current                           | 1 A                                    |
| Contact resistance                      | < 20 mΩ (Contact)<br>< 100 mΩ (shield) |
| Insulation resistance                   | > 500 MΩ                               |
| Nominal voltage $U_N$                   | 72 V (DC)                              |
| Nominal current $I_N$                   | 1 A                                    |
| Contact resistance per contact pair     | < 20 Ω                                 |
| Contact resistance                      | > 10 mΩ (Wire – IDC)                   |
| Transmission medium                     | Copper                                 |
| Transmission characteristics (category) | CAT6 <sub>A</sub>                      |
| Transmission speed                      | 10 Gbps                                |

### Connection data

#### Connection technology

|                              |  |
|------------------------------|--|
| Connection method            | Crimp connection   |
| Connection cross section AWG | 24 ... 27 (flexible)                                     |
| Conductor cross section      | 0.11 mm <sup>2</sup> ... 0.22 mm <sup>2</sup> (flexible) |
| Cable outlet, angle          | 180  |

### Dimensions

|        |          |
|--------|----------|
| Width  | 13.5 mm  |
| Height | 17 mm    |
| Length | 44.65 mm |

# CUC-STD-C1PGY-S/R4EA:1 - RJ45 connector



1414395

<https://www.phoenixcontact.com/us/products/1414395>

## Material specifications

|  |                 |
|--|-----------------|
| Color                                  | gray            |
| Flammability rating according to UL 94 | V2              |
| Housing material                       | Plastic         |
| Contact material                       | Phosphor bronze |
| Contact surface material               | Au/Ni           |
| Contact carrier material               | PC              |
| Locking latch material                 | PC              |

## Cable/line

|                          |                      |
|--------------------------|----------------------|
| External cable diameter  | 5.8 mm ... 6 mm      |
| Cable cross section      | 0.11 mm <sup>2</sup> |
| Test voltage Core/Core   | 1000 V               |
| Test voltage Core/Shield | 1500.00 V            |

## Mechanical properties

### Mechanical data

|                                     |           |
|-------------------------------------|-----------|
| Insertion/withdrawal cycles         | ≥ 750     |
| Insertion force per signal contact  | < 20.00 N |
| Extraction force per signal contact | < 20 N    |

## Environmental and real-life conditions

### Ambient conditions

|                                 |                  |
|---------------------------------|------------------|
| Degree of protection            | IP20             |
| Ambient temperature (operation) | -25 °C ... 60 °C |

## Mounting

|               |                  |
|---------------|------------------|
| Mounting type | Crimp connection |
|---------------|------------------|

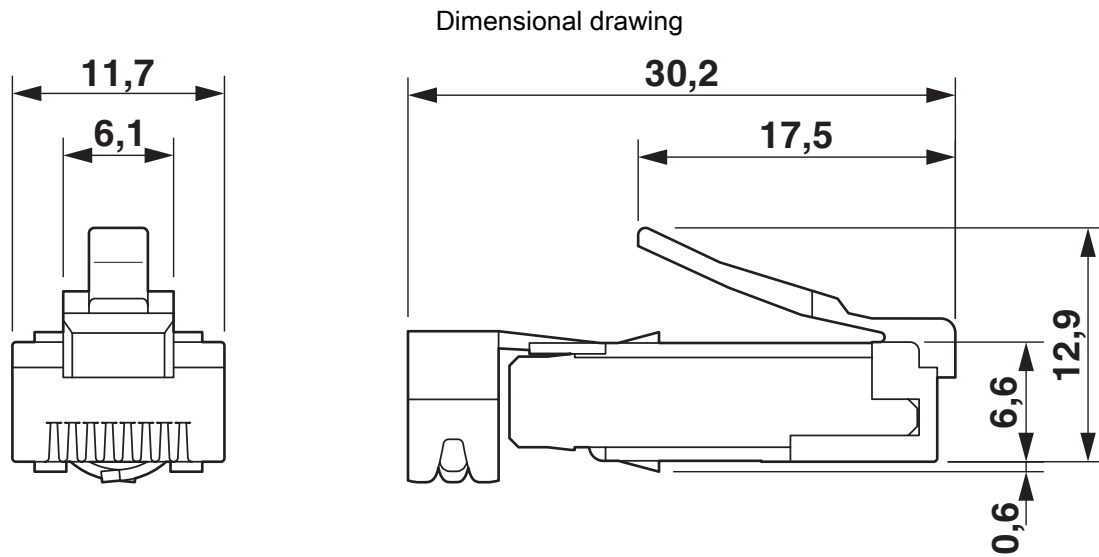
# CUC-STD-C1PGY-S/R4EA:1 - RJ45 connector



1414395

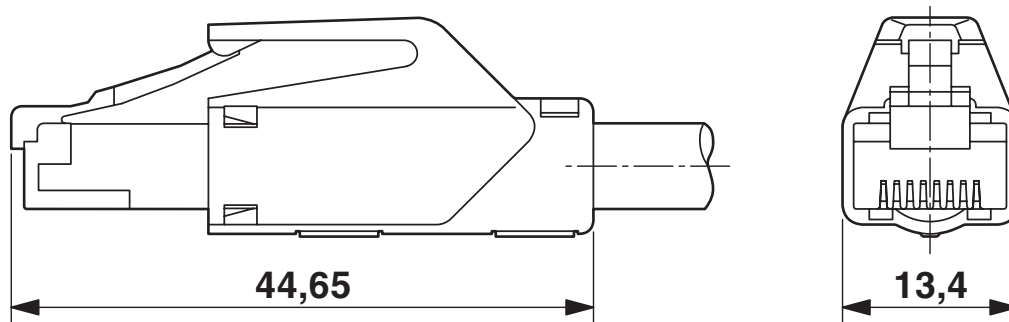
<https://www.phoenixcontact.com/us/products/1414395>

## Drawings



RJ45 male insert

## Dimensional drawing



RJ45 connector, IP20

# CUC-STD-C1PGY-S/R4EA:1 - RJ45 connector



1414395

<https://www.phoenixcontact.com/us/products/1414395>

## Classifications

### ECLASS

|             |          |
|-------------|----------|
| ECLASS-11.0 | 27440101 |
| ECLASS-12.0 | 27440113 |
| ECLASS-13.0 | 27440116 |

### ETIM

|          |          |
|----------|----------|
| ETIM 9.0 | EC002636 |
|----------|----------|

### UNSPSC

|             |          |
|-------------|----------|
| UNSPSC 21.0 | 39121400 |
|-------------|----------|

# CUC-STD-C1PGY-S/R4EA:1 - RJ45 connector



1414395

<https://www.phoenixcontact.com/us/products/1414395>

## Environmental product compliance

### EU RoHS

|   |                    |
|---|--------------------|
| Fulfills EU RoHS substance requirements | Yes, No exemptions |
|---|--------------------|

### China RoHS

|  |  |
|--|--|
| Environment friendly use period (EFUP) | EFUP-E                                   |
|  | No hazardous substances above the limits |

### EU REACH SVHC

|                                     |                            |
|-------------------------------------|----------------------------|
| REACH candidate substance (CAS No.) | No substance above 0.1 wt% |
|-------------------------------------|----------------------------|

# CUC-STD-C1PGY-S/R4EA:1 - RJ45 connector

1414395

<https://www.phoenixcontact.com/us/products/1414395>



## Accessories

### VS-CT-RJ45-H - Crimping pliers

1653265

<https://www.phoenixcontact.com/us/products/1653265>



Crimp tool, pliers with die, for RJ45 pin inserts VS-08-ST-H...-RJ45 and VS-08-RJ45-10G/C

---

Phoenix Contact 2024 © - all rights reserved  
<https://www.phoenixcontact.com>

Phoenix Contact USA  
586 Fulling Mill Road  
Middletown, PA 17057, United States  
(+717) 944-1300  
[info@phoenixcon.com](mailto:info@phoenixcon.com)