

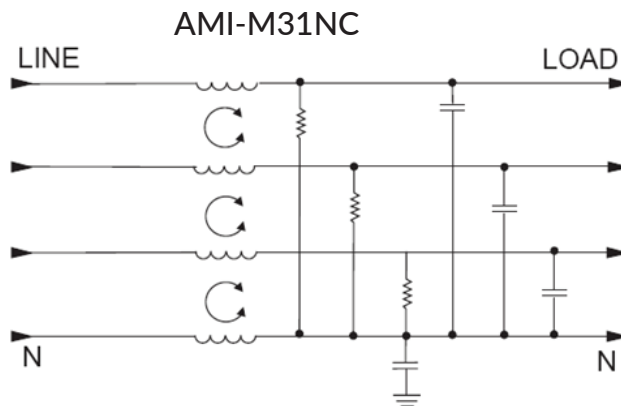
Compact Low Current 3 Phase WYE RFI Filters

AMI-M31NC Series

Metal Enclosure Three Phase Single Stage Filters

AMI Designation	Input/ Output Style	Current Rating	Inductance mH	Capacitance		Resistor K Ω	Leakage Current @ 120 VAC 60Hz/250 VAC 50Hz	TIL Insertion Loss	Case Style
				Cx nF	Cy pF				
Available Part Numbers	6.3mm Spade Terminals								
AMI-M31NC-1-3-D (1.0*100*15000*1500)	1	3	1.0	100	15000	1500	2.0/3.0	001	A
AMI-M31NC-1-6-D (0.45*100*15000*1500)	1	6	.45	100	15000	1500	2.0/3.0	002	A
AMI-M31NC-1-10-D (0.20*100*15000*1500)	1	10	.20	100	15000	1500	2.0/3.0	003	A
AMI-M31NC-1-20-D (0.137*100*15000*1500)	1	20	.137	100	15000	1500	3.5/5.5	004	A

Electrical Schematic



Compact Low Current 3 Phase WYE RFI Filters

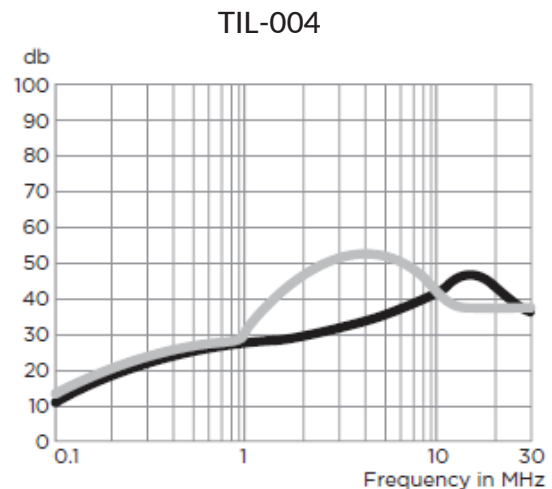
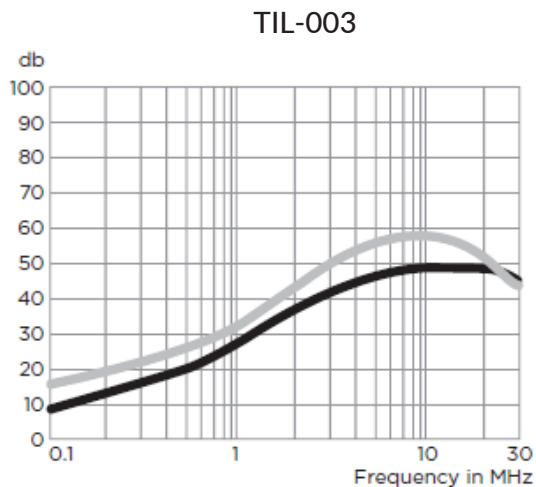
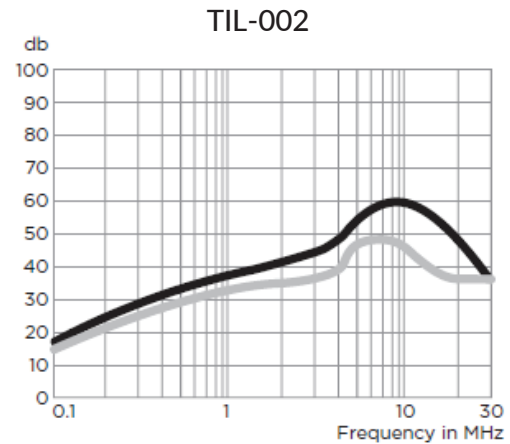
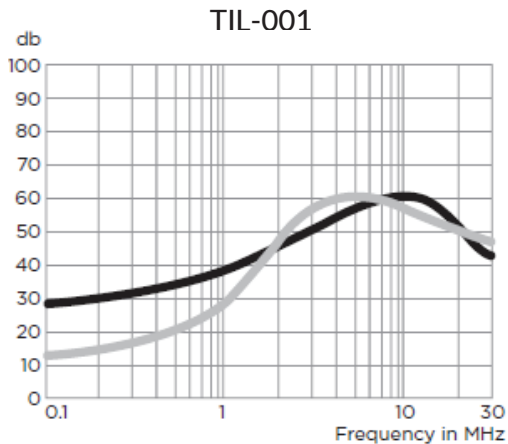
SPECIFICATIONS:

- Rated Voltage (max): 250 VAC
- Operating Frequency: 50/60 Hz
- Operating Current: 30 to 20 A
- Hi-pot Rating (one minute): Line to Ground: 1500 VAC
Line to Line: 1450 VDC
- Operating Ambient Temperature Range (at rated current I_r): -10°C to +40°C. In an ambient temperature (T_a) higher than +40°C the maximum operating current (I_o) is calculated as follows: $I_o = I_r \sqrt{[(85 - T_a)/45]}$

Performance Data

Typical Insertion Loss

Measured in closed 50 Ohm system



Compact Low Current 3 Phase WYE RFI Filters

Minimum Insertion Loss

Measured in closed 50 Ohm system

Common Mode/Asymmetrical (Line to Ground)

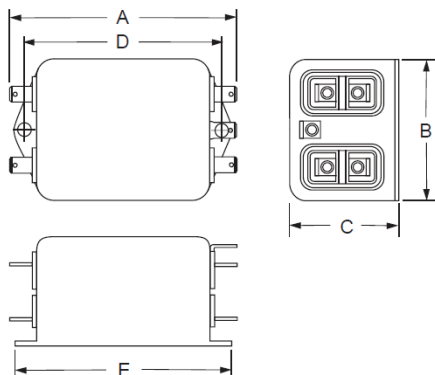
Current Rating	Frequency-MHz					
	.15	.5	1	5	10	30
3A	12	23	29	33	38	35
6A	7	23	30	40	50	30
10A	-	-	5	16	28	15
20A	-	7	11	32	23	12

Differential Mode/Symmetrical (Line to Line)

Current Rating	Frequency-MHz					
	.15	.5	1	5	10	30
3A	-	12	20	50	35	30
6A	10	18	24	31	28	28
10A	10	18	24	42	28	22
20A	10	18	24	42	38	23

Case Styles

STYLE A



Typical Dimensions:

Line/Load Terminals (8): .250 [6.3] with .07 [1.8] Dia. hole
 Ground Terminal (1): .250 [6.3] with .07 x .16 [1.8 x 3.8] slot
 Mounting Holes (2): .188 [4.78] Dia.

Compact Low Current 3 Phase WYE RFI Filters

Case Dimensions:

Model Number	A max	B max	C max	D $\begin{smallmatrix} \pm .015 \\ \pm .38 \end{smallmatrix}$	E max
AMI-M31NC Series	3.37"/85.6mm	2.07"/52.5mm	1.53"/38.7mm	2.938"/74.63mm	3.35"/85.1mm