

# Actuator

17-050350

Distribution by  
DigiKey

**DigiKey**



<https://digikey.eao.com/p/17-050350>

Your product:

---



## 17-050350 Actuator

### FRONT

<b>Front dimension:</b>	Ø 9,5 mm
<b>Front form:</b>	round
<b>Reflector:</b>	Metal, polished chromium-plated, internal

### MOUNTING

<b>Mounting cut-out:</b>	Ø 8 mm
<b>Design:</b>	raised

### OPERATING-/INDICATION PART

<b>Illumination colour:</b>	Red
-----------------------------	-----

### ELECTRICAL CHARACTERISTICS

<b>Operating voltage:</b>	24 V DC ±10 %
<b>Lumi. Intensity:</b>	80 mcd
<b>Polarity:</b>	Anode (+) Brass plug-in connector Cathode (-) Brass tinned plug-in connector
<b>Operation current:</b>	20 mA ±15 %

### MECHANICAL CHARACTERISTIC

<b>Weight:</b>	0.005 kg
<b>Tightening torque:</b>	Fixing nut max. 0.2 Nm
<b>Terminal:</b>	Plug-in terminal, 2.8 x 0.8 mm

## AMBIENT CONDITION

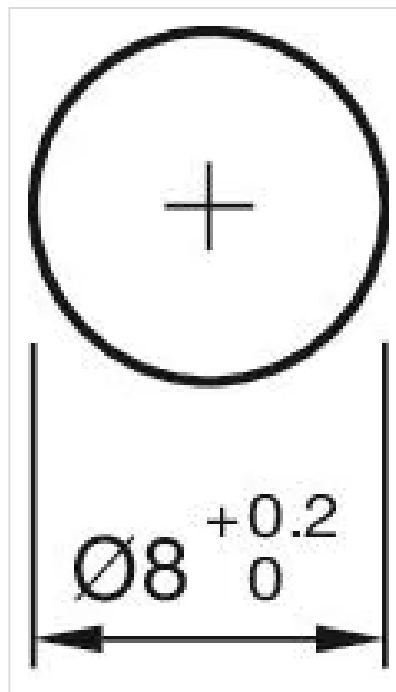
<b>IP Protection:</b>	IP40 front side, IP65 front side, according to IEC 60529
<b>Operating temperature:</b>	- 20 °C ... + 60 °C
<b>Storage temperature:</b>	- 25 °C ... + 80 °C

## CERTIFICATE

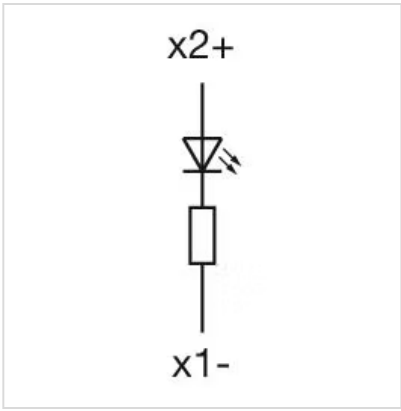
<b>Conformities:</b>	2011 / 65 / EC (RoHS), 2014 / 35 / EU (230 VAC)
<b>Approbations:</b>	UL

## OTHER

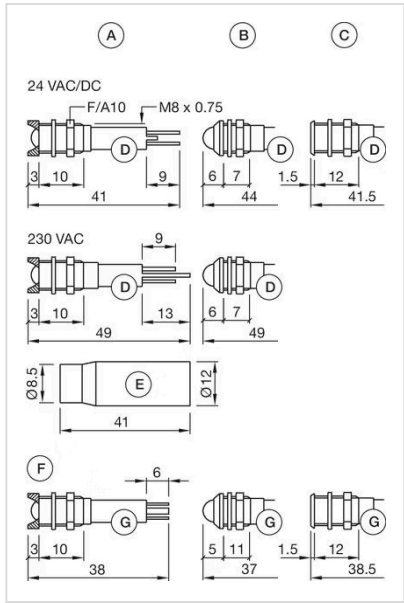
<b>Hints:</b>	Connectors: Brass terminal = anode (+); brass tinned terminal = cathode (-), IP67 front side gap between LED and reflector and gap between reflector and frontplate sealed to IP67 when using the supplied gasket., The plastic is limited resistant to chemicals.
<b>Short Description:</b>	Actuator, Ø 8 mm, Ø 9,5 mm, round, Plug-in terminal, 2.8 x 0.8 mm, Red
<b>Kind of illumination:</b>	Single-LED
<b>Mounting cut-outs:</b>	



**Wiring diagrams:**



**Dimension drawings:**



- A = interior
- B = exterior
- C = superflat
- D = Plug-in terminal 2.8 mm x 0.8 mm
- E = Multi-colour
- F = Protection tube
- G = Plug-in terminal 2.0 mm x 0.5 mm