

# G-INS-M12-S68N-NNES-S - Cable gland



1411160

<https://www.phoenixcontact.com/us/products/1411160>

Please be informed that the data shown in this PDF document is generated from our online catalog. Please find the complete data in the user documentation. Our general terms of use for downloads are valid.



Cable gland, material for screw connection: Brass, nickel-plated, application: Standard, external cable diameter 3 mm ... 6.5 mm, shielding: no, connecting thread: M12 x 1.5, color: silver, with O-ring

## Commercial data

Item number	1411160
Packing unit	10 pc
Minimum order quantity	1 pc
Sales key	BF68
Product key	BF7DAX
Catalog page	Page 688 (C-2-2019)
GTIN	4046356922968
Weight per piece (including packing)	12.91 g
Weight per piece (excluding packing)	12.91 g
Customs tariff number	74198090
Country of origin	TR

# G-INS-M12-S68N-NNES-S - Cable gland

1411160

<https://www.phoenixcontact.com/us/products/1411160>

## Technical data

### Mounting

Thread type	()
Assembly note	1) Mount screw connection support in the housing using the correct torque 2) Insert cable 3) Tighten union nut using the correct torque

### Product properties

Product type	Cable screw gland
Application	Standard
No. of conductors	1
Manufacturer	BIMED
Manufacturer Designation	BMBC-0S
Shielded	no
Execution of the strain relief	A

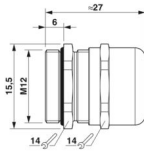
### Data management status

Article revision	00
------------------	----

### Characteristics

Category of shock impact	5
Design, Strain relief	A

### Dimensions

Dimensional drawing	
Length	27 mm
Length of the connecting thread	6 mm
Hole diameter	12.1 mm ... 12.3 mm
Wrench size, union nut	14 mm
Wrench size, support	14 mm
Hexagon angular dimension	15.5 mm
Thread type connection side	M12 x 1.5
Thread pitch	1.5 mm

### Connection data

Tightening torque	5 Nm $\pm$ 0.5 Nm (Cap nut)
	3 Nm (Support sleeve)

### Material specifications

# G-INS-M12-S68N-NNES-S - Cable gland



1411160

<https://www.phoenixcontact.com/us/products/1411160>

Color	Brass color
Material Compression ring	PA 6
Seal material O-ring	Perbunan
Seal material Cable seal	CR
Material for screw connection	Brass, nickel-plated

## Cable/line

External cable diameter Cable 1	3 mm ... 6.5 mm
External cable diameter	4 mm ... 6.5 mm (for UL 514 B)
Halogen-free	no

## Environmental and real-life conditions

### Ambient conditions

Degree of protection	IP66
	IP68 (5 bar, 30 min.)
	IP69 (DIN EN 60529 / IEC 60529)
Enclosure rating (NEMA)	4X
Ambient temperature (operation)	-40 °C ... 100 °C (static)

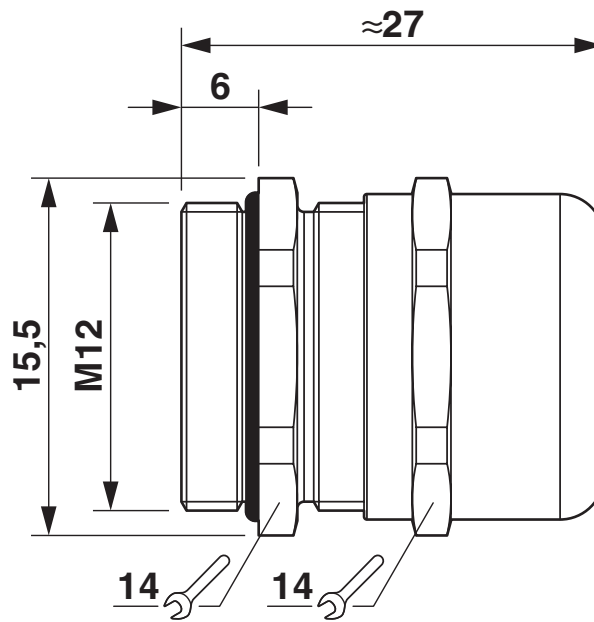
# G-INS-M12-S68N-NNES-S - Cable gland

1411160

<https://www.phoenixcontact.com/us/products/1411160>

## Drawings

Dimensional drawing



Dimensional drawing

# G-INS-M12-S68N-NNES-S - Cable gland



1411160

<https://www.phoenixcontact.com/us/products/1411160>

## Approvals

🔗 To download certificates, visit the product detail page: <https://www.phoenixcontact.com/us/products/1411160>

**DNV**

Approval ID: TAE00003WY



**cUL Recognized**

Approval ID: E199260



**UL Recognized**

Approval ID: E199260

**cULus Recognized**

# G-INS-M12-S68N-NNES-S - Cable gland



1411160

<https://www.phoenixcontact.com/us/products/1411160>

## Classifications

### ECLASS

ECLASS-11.0	27144432
ECLASS-12.0	27140801
ECLASS-13.0	27140801

### ETIM

ETIM 9.0	EC000441
----------	----------

### UNSPSC

UNSPSC 21.0	39121300
-------------	----------

# G-INS-M12-S68N-NNES-S - Cable gland



1411160

<https://www.phoenixcontact.com/us/products/1411160>

## Environmental product compliance

### EU RoHS

Fulfills EU RoHS substance requirements	Yes
Exemption	6(c)

### China RoHS

Environment friendly use period (EFUP)	EFUP-50
	An article-related China RoHS declaration table can be found in the download area for the respective article under "Manufacturer declaration". For all articles with EFUP-E, no China RoHS declaration table issued and required.

### EU REACH SVHC

REACH candidate substance (CAS No.)	Lead(CAS: 7439-92-1)
SCIP	c33cf4bb-5f69-474f-b693-bbb979f5d912

Phoenix Contact 2024 © - all rights reserved

<https://www.phoenixcontact.com>

Phoenix Contact USA  
586 Fulling Mill Road  
Middletown, PA 17057, United States  
(+717) 944-1300  
[info@phoenixcon.com](mailto:info@phoenixcon.com)