

# MICRO SWITCH

FREEPORT ILLINOIS, U.S.A  
A DIVISION OF HONEYWELL  
FED. MFG. CODE 91929

# SWITCH - ACTUATOR

CATALOG LISTING

## JX-220

JX-220

M

DRAWING NUMBER

ISSUE

4

4

REVISIONS

A	CO29803	R E R	29 DEC 71
B	CO79303	D A W	7 MAR 95
C	0015428	SPK	14 SEP 05

REPLACES

PR-1980

RELEASE NO.

14SEP05

RJ

CHECK

29 JUL 71

JWH

29 JUL 71

CHECK

LSD

29 JUL 71

CHECK

LSD

29 JUL 71

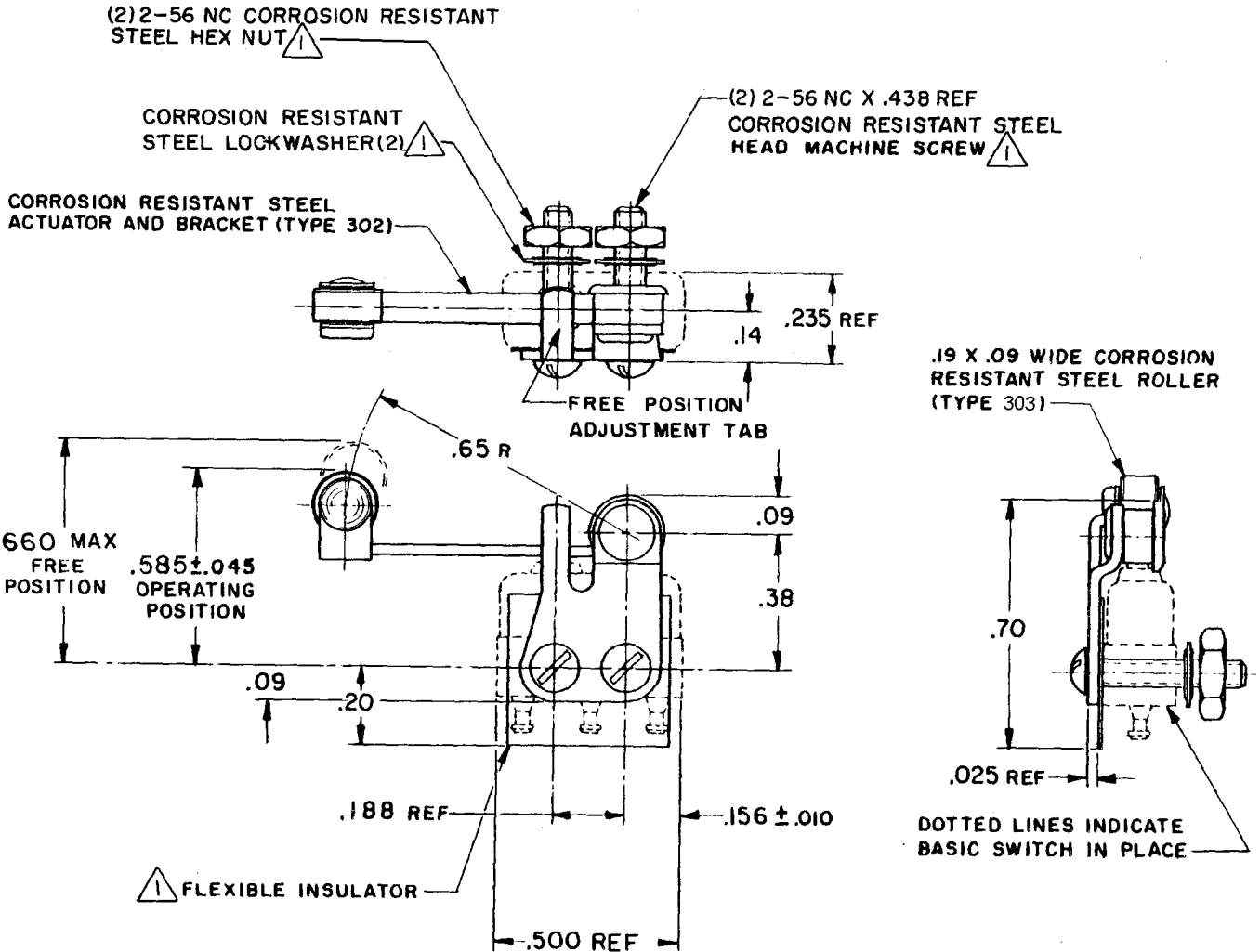
CHECK

LSD

29 JUL 71

CHECK

LSD



NOTE -

- 1 - FURNISHED UNASSEMBLED.
- 2 - ACTUATOR WILL WITHSTAND TEMPERATURE OF 400°F

THIS DRAWING COVERS A PROPRIETARY ITEM AND IS THE PROPERTY OF MICRO SWITCH, A DIVISION OF HONEYWELL. THIS DRAWING IS NOT TO BE COPIED OR USED WITHOUT THE APPROVAL OF MICRO SWITCH.

CHARACTERISTICS WITH 4SX1-T BASIC SWITCH INSTALLED

OPERATING FORCE	----- 1.5 OZ MAX
RELEASE FORCE	----- 4 GRAMS MIN
DIFFERENTIAL TRAVEL	----- .030 MAX
OVERTRAVEL	----- .020 MIN

ELECTRICAL DATA

CONTACT ARRANGEMENT

SCALE 2 TO 1

DO NOT SCALE PRINT

UNLESS OTHERWISE NOTED DIMENSIONS ARE IN INCHES

TOLERANCES ARE:

ONE PLACE	(.0)	±.030
TWO PLACE	(.00)	±.015
THREE PLACE	(.000)	±.005
ANGLES		±

WEIGHT