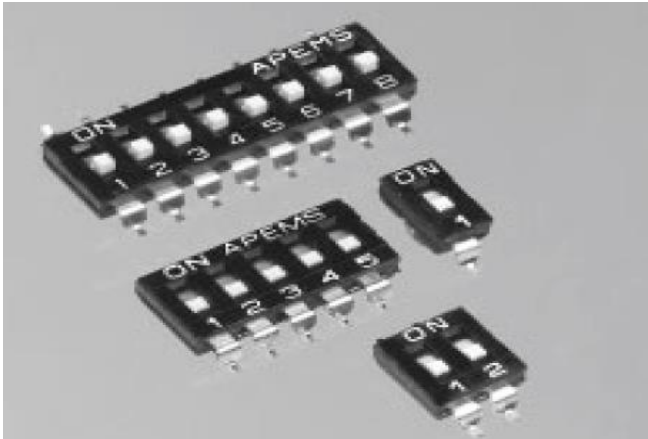


Datasheet

IKD series Surface Mount and Through Board Low Profile Dual in Line Switches

RS Stock number 8772337

Dimensions: mm



Features:

- Raised and recessed actuators
- Even and odd pole numbers
- Self-cleaning wiping contacts
- Gold plated terminals
- Process compatible - withstand IR and vapor phase reflow soldering
- Washable (tape seal standard), except 1-pole model

General Specifications

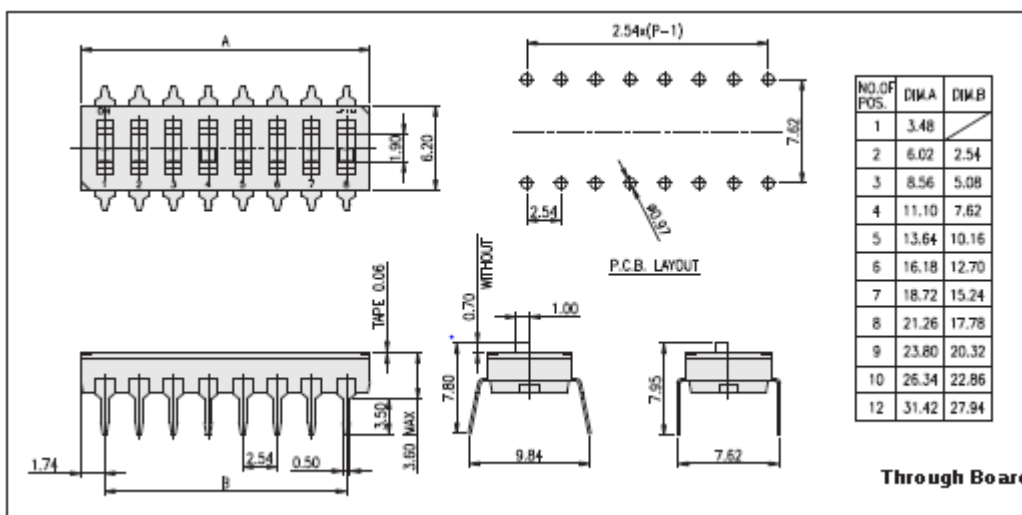
- Max. current/voltage rating :
 - Switching: 25mA 24VDC
 - Non-switching: 100mA 50VDC
- Initial contact resistance : 50mΩ max
- Insulation resistance : 100MΩ min. at 500VDC
- Dielectric strength: 500VAC min.
- Electrical life : 2,000 cycles
- Travel : 1 mm (0.39)
- Operating temperature : -20C to +85C
- Storage temperature : -40C to +85C

Materials

- Case & actuator :UL94-V0
- Moving contact : phosphor bronze, gold plated, over nickel barrier
- Terminal : gold plated
- Protection tape : polyimide

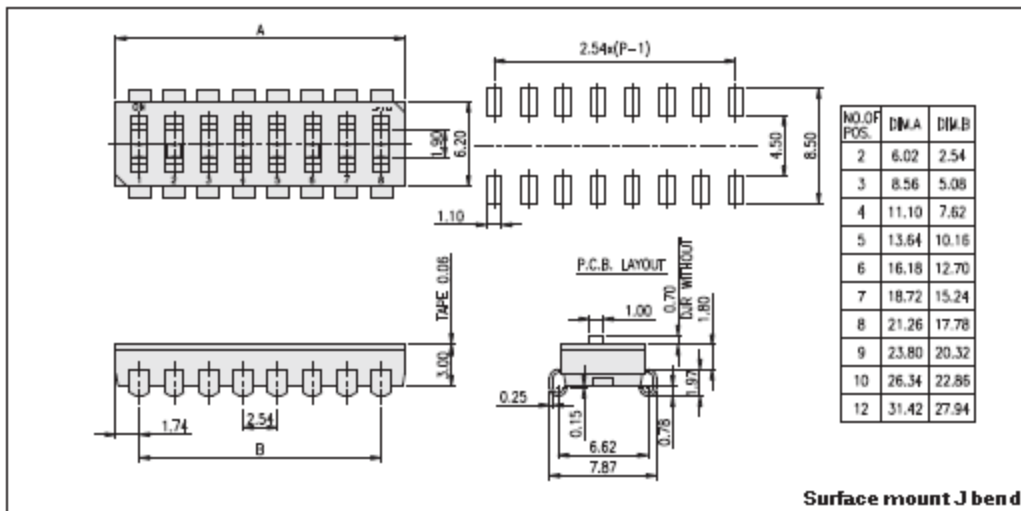
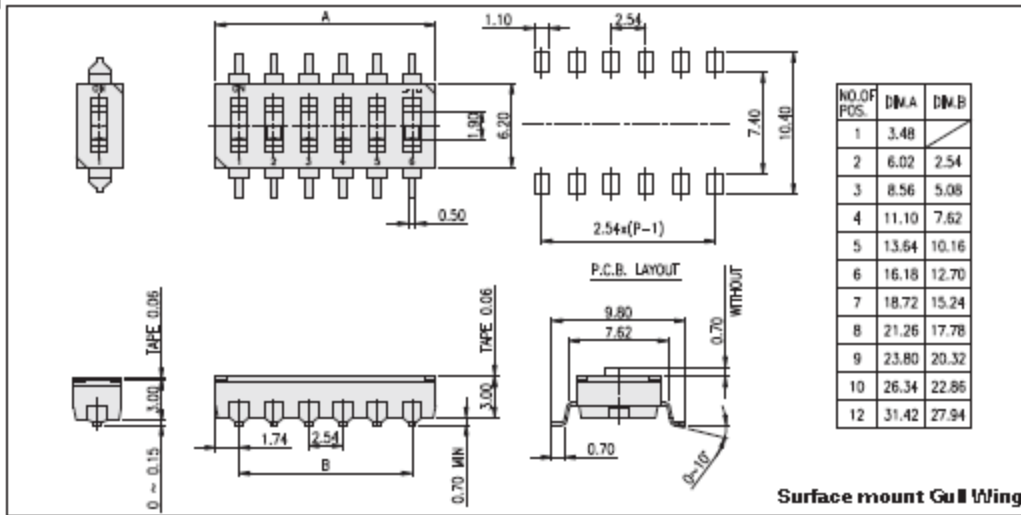
Packaging

- Reels of 900 pieces - Tape IEC 286-3 (EIA481A) std
- IC Tube



Surface Mount and Through Board Dual in Line Switches

Overview cont



SERIES

Number of ways

Model Type

Tape seal

- | | |
|--------------|---------------|
| 01 One way | 07 Seven way |
| 02 Two way | 08 Eight way |
| 03 Three way | 09 Nine way |
| 04 Four way | 10 Ten way |
| 05 Five way | 11 Eleven way |
| 06 Six way | 12 Twelve way |

- 001 Through hole raised actuators
- 000 Through hole recessed actuators
- 031 SMT raised actuators IC tubes
- 030 SMT recessed actuators IC tubes
- 041 SMT raised actuators T/R
- 040 SMT recessed actuators T/R
- 051 SMT J bend raised actuators IC tubes
- 050 SMT J bend recessed actuators IC tubes
- 061 SMT J bend raised actuators T/R
- 060 SMT J bend recessed actuators T/R

- 00 Top tape seal*
- 01 No tape seal

* Recessed actuators only

For other combinations contact APEM