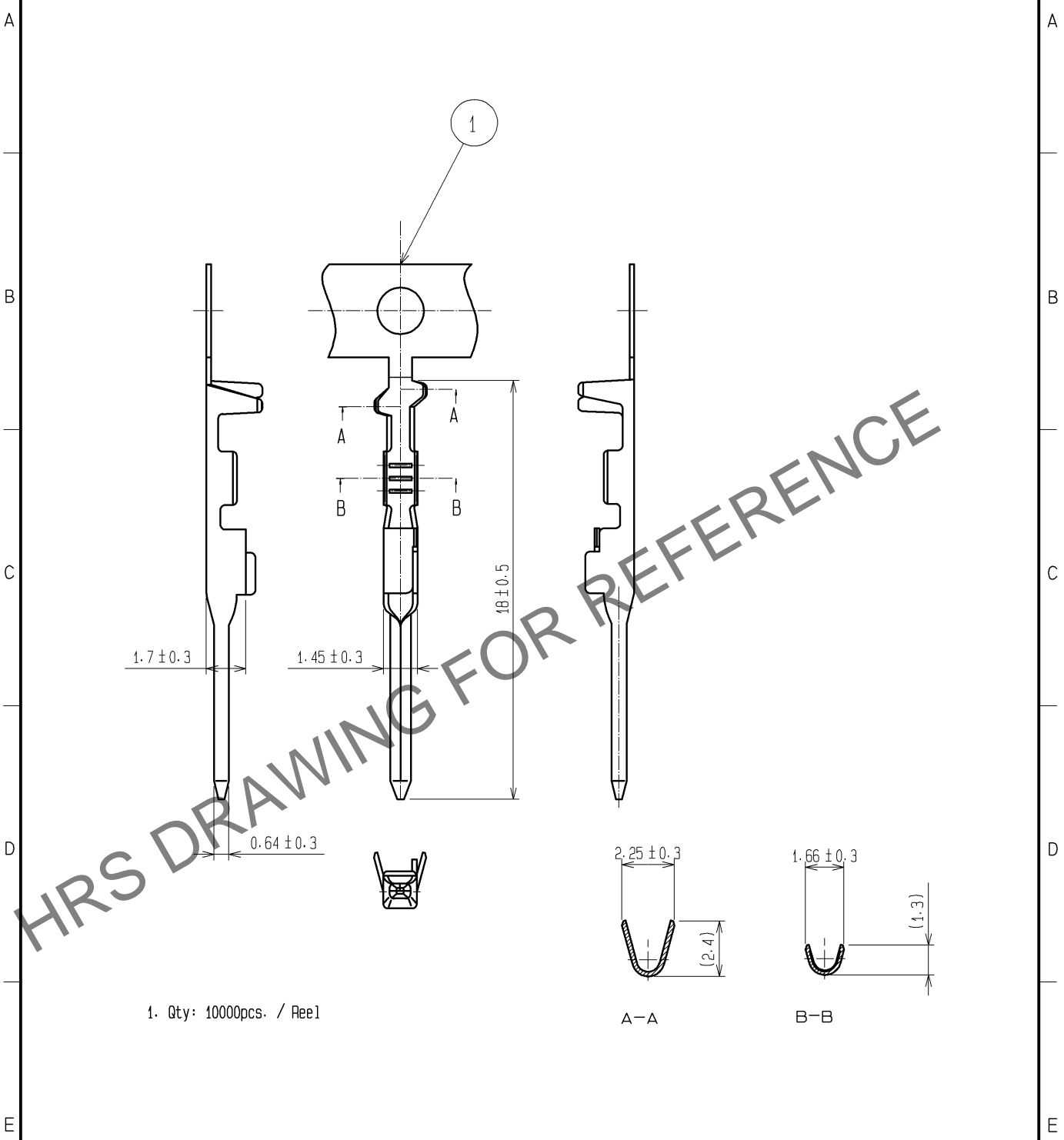


Jul.1.2024 Copyright 2024 HIROSE ELECTRIC CO., LTD. All Rights Reserved.
 In case of consideration for using Automotive equipment / device which demand high reliability, kindly contact our sales window correspondents.

ELV・RoHS COMPLIANT



1. Qty: 10000pcs. / Reel

1	COPPER ALLOY	TIN PLATED T=0.2						
NO.	MATERIAL	FINISH .	REMARKS	NO.	MATERIAL	FINISH .	REMARKS	
UNITS mm		SCALE 4 : 1	COUNT 	DESCRIPTION OF REVISIONS		DESIGNED	CHECKED	DATE
HRS	HIROSE ELECTRIC CO., LTD.	APPROVED : KS. SATOH	08.09.02	DRAWING NO.		EDC4-166490-00		
		CHECKED : NH. NAKATA	08.09.02	PART NO.		GT17A-2428PCF		
		DESIGNED : MH. SHOUJI	08.09.01	CODE NO.		CL767-0121-0-00		
		DRAWN : MH. SHOUJI	08.09.01					