

**SENCITY® Omni-M Wi-Fi Stick Antenna**

1324.17.0114

**Properties**

- Omnidirectional stick antenna for Wi-Fi bands between 2400 and 2500 MHz
- Gain of 6 dBi with Vertical Polarisation
- For both indoor and outdoor mounting with IP rating IP67
- Integrated N female connector
- Suitable for Pole or Wall mounting



Electrical bands	
	Band 1
Frequency	2400 MHz ... 2500 MHz
VSWR	1.8
Impedance	50 Ω
Gain	6 dBi
HPBW vertical	30 °
HPBW horizontal	360 °
Vertical Electrical Tilt	0 °
Ambient Temperature	25 °C
Composite Power max	30 W

Ports	
	Port 1
Connector	N, jack (female)
Polarization	vertical
DC grounded	No

Mechanical data	
Weight	0.3 kg
Dimensions	250 mm x 19 mm (Height x Diameter)
Windload	front: 3 N at 160 km/h, lateral: 3 at 160 km/h, Wind Speed survival: 220 km/h

**SENCITY® Omni-M Wi-Fi Stick Antenna**

1324.17.0114

<b>Mechanical data</b>	
Remarks	MATERIALS of ANTENNA CONNECTOR / BASE: brass, with tri-metal surface plating (Cu/Zn/Sn alloy) INCLUDED MOUNTING MATERIAL: Bracket 9091.99.0173 and 2 metal-bands for mast-diameter 25mm - 101mm, all piece parts made of stainless steel

<b>Interface and material data</b>	
Radome material	Glass Fibre
Radome colour	RAL 9003 (signal white)

<b>Environmental data</b>	
Operation temperature	-40 °C ... 85 °C
Storage temperature	-55 °C ... 85 °C
Transport temperature	-40 °C ... 85 °C
Environment (application)	Indoor/Outdoor
Ingress protection (IP Rating)	IP67
Flammability rating	UL 94-HB

<b>Environmental remarks</b>	
LOW TEMPERATURE: IEC 60068-2-1 72h -55°C HIGH TEMPERATURE: IEC 60068-2-2 72h +85°C HUMIDITY: ETSI EN300-2-4 T4, 1E 144h 95% SALT SPRAY: EN 60068-2-11 / GB-T 10125 96h MECHANICAL SHOCK: IEC 60721-3-4, 4M5 VIBRATION: IEC 60721-3-4 30 min/axis random 4M5	

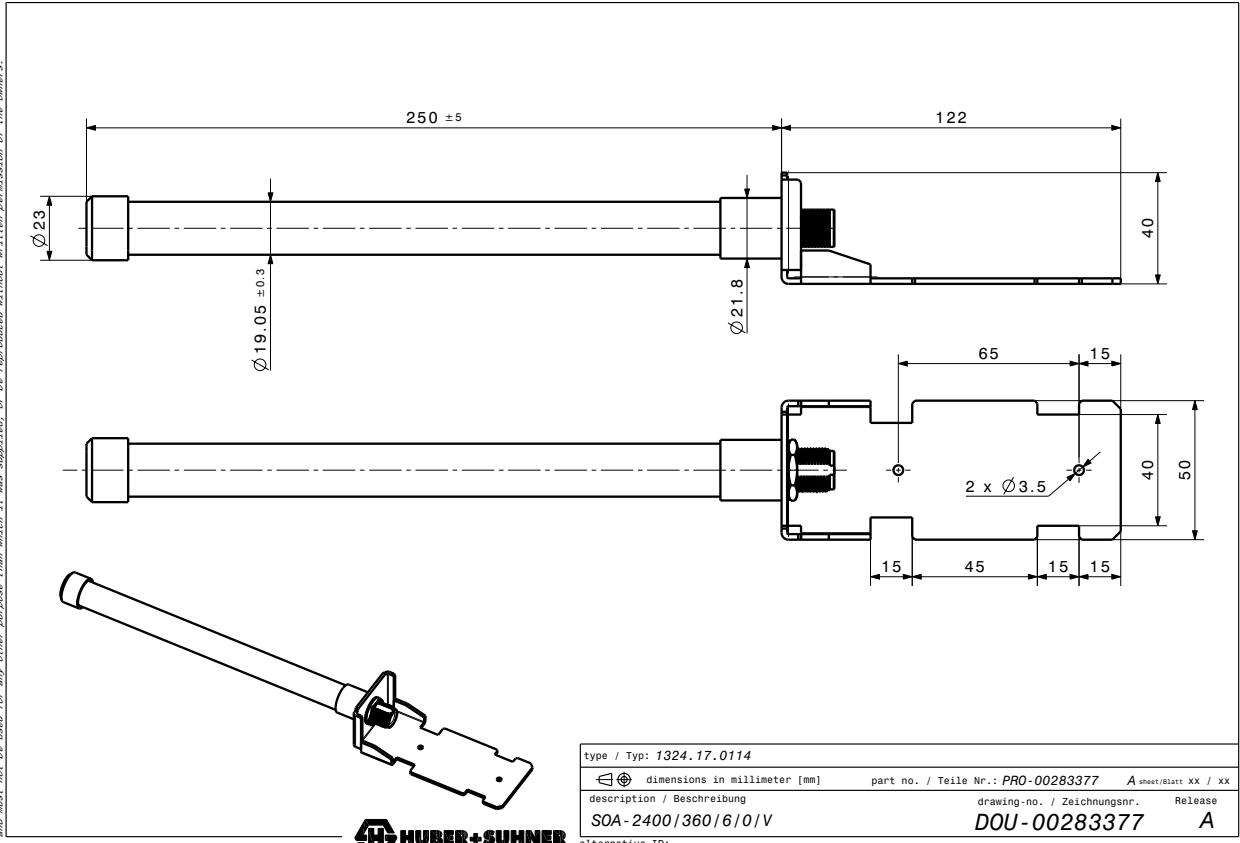
<b>Additional Information</b>	
Mounting accessory included	

**SENCITY® Omni-M Wi-Fi Stick Antenna**

1324.17.0114

**Outline drawing**

Diese Zeichnung ist unser geistiges Eigentum und darf ohne unsere Einwilligung weder kopiert, vervielfältigt, noch übertragen oder nachzuverfolgen zugelassen werden. ( Art. 12 & a.)  
 This drawing is our intellectual property and may not be reproduced without written permission of the company.



HUBER+SUHNER is certified by ISO 9001, ISO 14001, ISO 45001, IATF 16949, AS/ EN 9100 and ISO/TS 22163-IRIS. Waiver: Facts and figures herein are for information only and do not represent any warranty of any kind. DOCUMENT PIM-P3305 / Date of publication: 24.06.2024 / uncontrolled copy