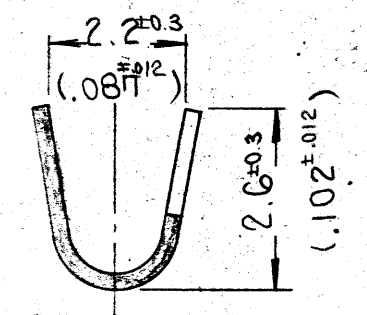
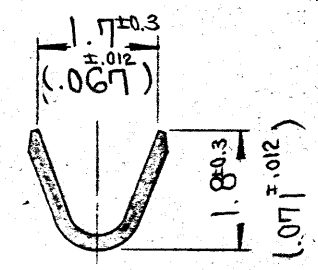
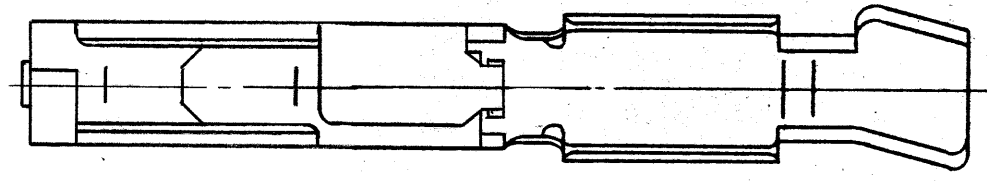
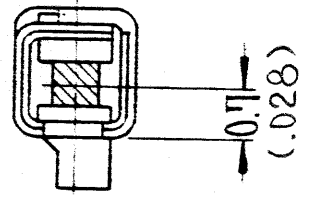
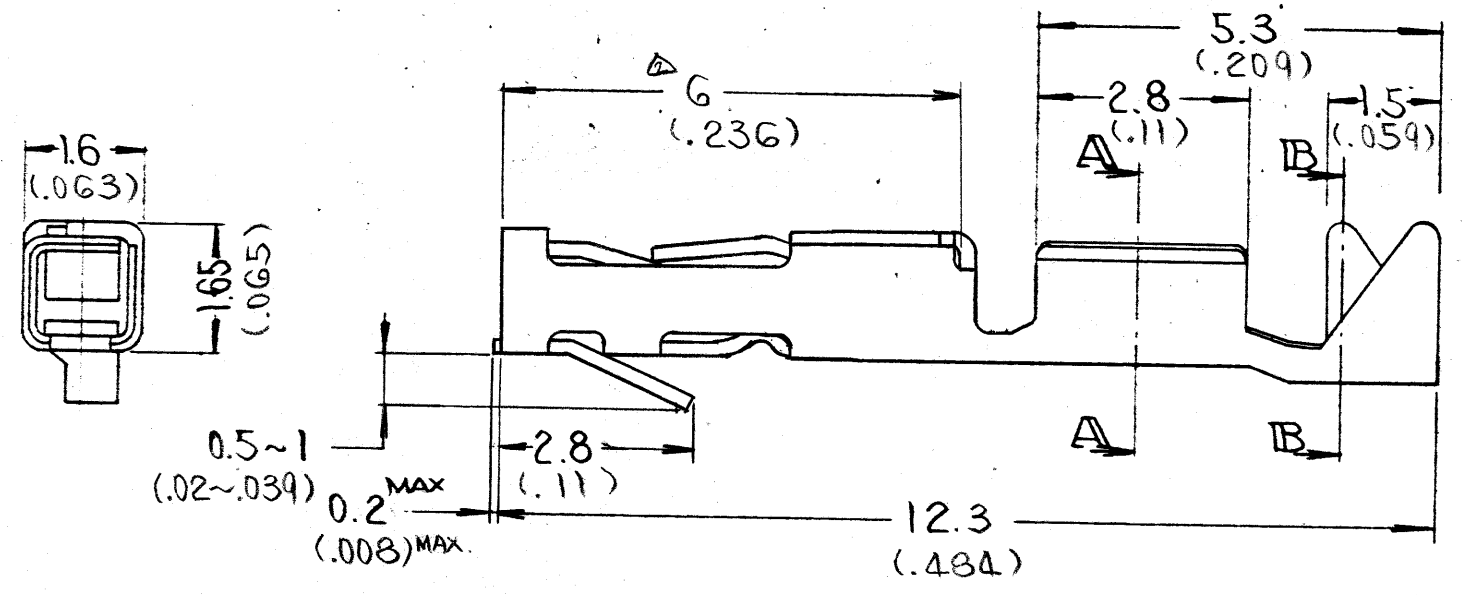


DWG. NO. SJ016352E 3
 SYM. 3

SYM.	DCN NO.	DESCRIPTION	DATE	DRAWN	CHECKED	APP'D	APP'D
2	15116	6.5(.256) → 6(.236)	4.MAR.1982	M. Sasaki	Y. Nagashita	T. Yajima	
3	50963	CHANGED TO SI UNIT SYSTEM	13.Nov.2002	M. Sasaki	K. Kawase	S. Kashiwagi	



SECTION A-A (CONTACT CRIMPING BARREL) SECTION B-B (INSULATION CRIMPING BARREL)



CROSS SECTION (MATED WITH PIN)

TABLE 1. PART NO. DIMENSIONS AND CONTACT FINISH

PART NO.	PART NAME	FINISH	
		MATING PORTION	OTHER AREA
030-51307-001	PS-SF-C1-1	GOLD FLASH OVER NICKEL	GOLD FLASH OVER NICKEL
↑ ↓ -002	↑ ↓ -2	GOLD, 0.3 μm MIN Δ OVER NICKEL	GOLD FLASH OVER NICKEL
030-51307-003	PS-SF-C1-3	GOLD, 0.76 μm MIN Δ OVER NICKEL	GOLD FLASH OVER NICKEL

- NOTE 1. MATING PIN SIZE : 0.64^{±0.05} (.025^{±.002})
 2. USABLE WIRE SIZE : STRANDED WIRE, AWG 22 TO AWG 24
 OUTER DIA. (INCLUDING INSULATION) : 1.2 (.047) TO 1.6 (.063)

ITEM	DESCRIPTION	Q'TY	MATERIAL	FINISH	PART NO.
	(PS-SF-C1) JAE CONNECTOR				030-51307-00*

UNLESS OTHERWISE SPECIFIED				DATE	22-JUN-1981
DIMENSIONS ARE IN MILLIMETERS				DRAWN	E. MURANO
TOLERANCES ON: (INCHES)				CHECKED	Y. Nagashita
FRACTIONS	DECIMALS	ANGLES	APP'D	Y. Nagashita	
			APP'D	K. Katoh	
TREATMENT OR FINISH				t0.2 PHOSPHOR BRONZE	

NEXT ASS'Y		USED ON		NEXT ASS'Y		FINAL ASS'Y	
APPLICATION		QTY REQ'D					

TITLE		JAPAN AVIATION ELECTRONICS IND. CO. LTD. FACTORY	
(PS-SF-C1) JAE CONNECTOR		NAKAGAWA-CHO, AKISHIMA-SHI, TOKYO, JAPAN	
030-51307-00*		Reference Only	
SCALE	× 10	DWG. SIZE	B WT.
SHEET		DWG. NO. SJ016352-E	

Mouser Electronics

Authorized Distributor

Click to View Pricing, Inventory, Delivery & Lifecycle Information:

[JAE Electronics:](#)

[030-51307-001](#)