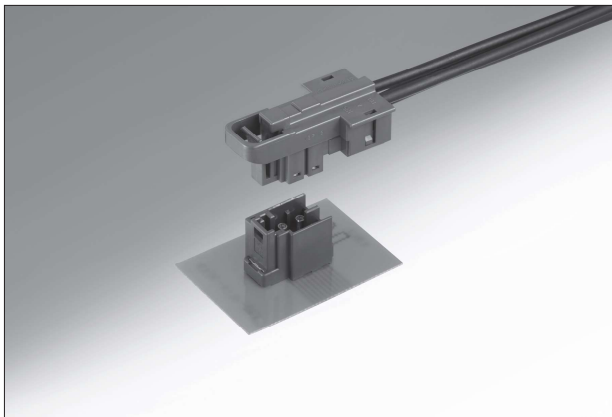


# GT36 Series

— Board Straight, Cable Side Right Angle Coaxial Connector —



## ■ Features

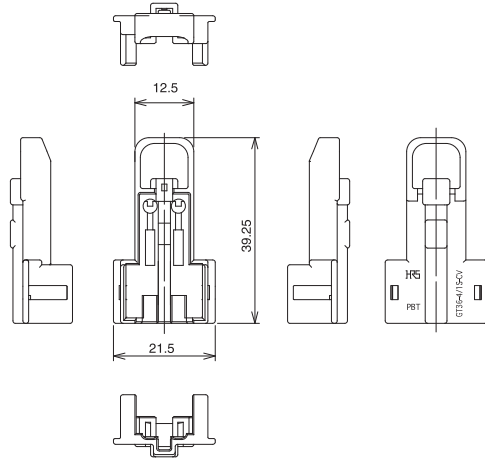
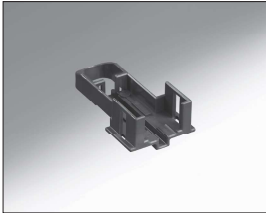
- Supported frequency range DC to 2.5 GHz
- Board connector straight type/Cable connector right-angle type

## ■ Applications

Various antennas within the DC to 2.5 GHz frequency range

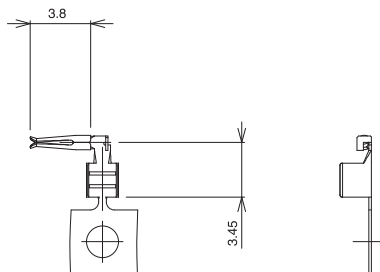


## ■ Cover for F Connector



Part No.	HRS No.	Material	Color	Sales unit	RoHS
GT36-4/1S-CV-A	786-0070-0	PBT	Dark gray	1	○

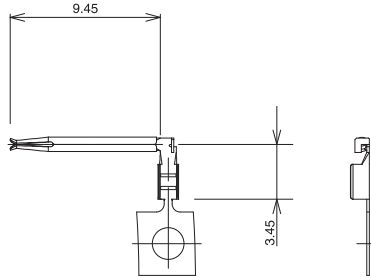
## ■ Center Terminal for F Connector (Short)



Part No.	HRS No.	Material / Finish or color	Applicable wire	Sales unit	RoHS
GT36A-2022SCF	786-0028-3	Center terminal : Phosphor bronze /Tin plating	2.5D-2V	12,000 pcs/reel	○
GT36-2428SCF	786-0001-7		1.5D-2V	13,000 pcs/reel	

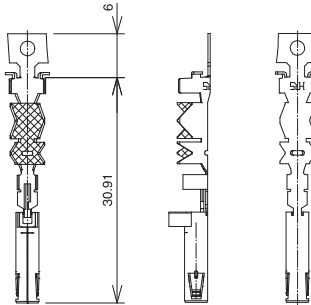
Oct. 1, 2024. Copyright 2024 HIROSE ELECTRIC CO., LTD. All Rights Reserved.

### Center Terminal for F Connector (Long)



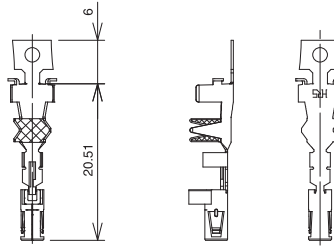
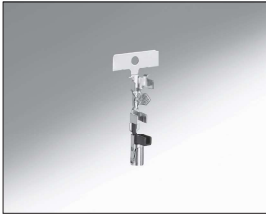
Part No.	HRS No.	Material / Finish or color	Applicable wire	Sales unit	RoHS
GT36-2428SCF(A)	786-0010-8	Center terminal : Phosphor bronze /Tin plating	1.5D-2V	9,000 pcs/reel	○
GT36-30SCF(ID)(A)	786-0042-4		1.5C-2V (single wire)	12,000 pcs/reel	

### Outer Terminal for F Connector (Long)



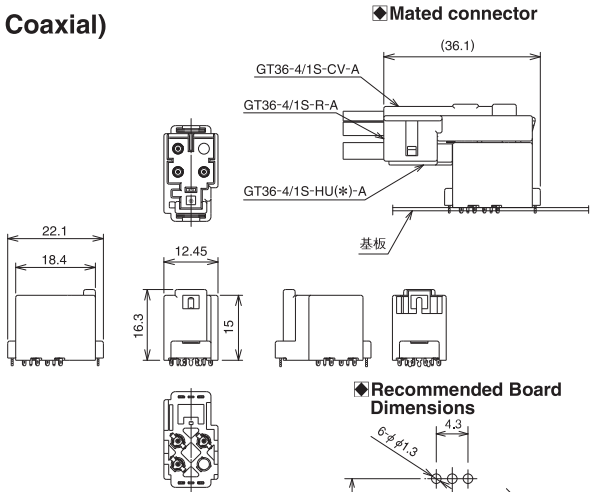
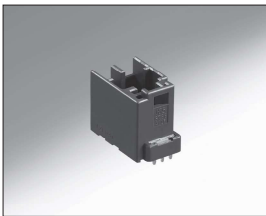
Part No.	HRS No.	Material / Finish or color	Applicable wire	Sales unit	RoHS
GT36-1.6-2.9SCF(A)-B	786-0114-0	Insulator : PBT/Dark gray Outer terminal : Brass/Tin plating	1.5D-2V	6,500 pcs/reel	○

## Outer Terminal for F Connector (Short)



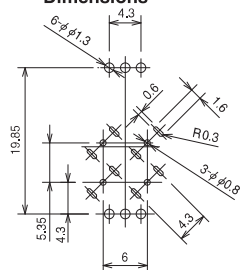
Part No.	HRS No.	Material / Finish or color	Applicable wire	Sales unit	RoHS
GT36-3.3-3.8SCF	786-0005-8	Insulator : PBT/Dark gray Outer terminal : Brass/Tin plating	2.5D-2V	5,000 pcs/reel	○
GT36-1.6-2.9SCF	786-0003-2		1.5D-2V	3,000 pcs/reel	

## Board Connector (4 Coaxial)



Ex. GT36-4ABD0P-DSAA(55)  
Contact position      Key

### Recommended Board Dimensions



Part No.	HRS No.	Material	Color	Sales unit	RoHS
GT36-4ABD0P-DSAA(55)	786-0011-0 55	PA	Brown	200 pcs/reel	○
GT36-4A0P-DSAC(55)	786-0012-3 55		Blue		
GT36-4D0P-DSAC(55)	786-0013-6 55		Green		
GT36-4BD0P-DSAB(55)	786-0014-9 55				

\*Applicable board thickness: T = 0.8 mm.

## ◆ Crimping Tools

Please ask your Hirose Electric account representative for a user manual.

### Automatic Crimping Machine



Photo for reference only.  
Subject to change.

### Specifications

Item	Specifications	Remarks
Press capacity	1,5tons	
Stroke length	30mm	
Number of strokes	200spm (50Hz)	200spm (60Hz)
Weight	75kg	
Motor	0.2KW	AC100V
Crimping speed	2,000~4,000/H	

Part No. CM-105C

- \*Terminal crimp height setting tables are available for each cable type.  
Please contact your nearest Hirose Electric account representative.
- \*Applicator required for each cable.

### Applicator (for Mounting to Automatic Crimping Machines)

Contact Product No.	Contact HRS No.	Tool No.	Tool HRS No.
GT36A-2022SCF	786-0028-3	AP105-GT36A-2022S	901-5220-4
GT36-2428SCF	786-0001-7	AP105-GT36-2428S	901-5220-0
GT36-2428SCF(A)	786-0010-8	AP105-GT36-2428S(A)	901-5212-6
GT36-30SCF(ID)(A)	786-0042-4	AP105-GT36-30SI(A)	901-5225-8
GT36-3,3~3,8SCF	786-0005-8	GT36-3338S/CK-AD	902-5113-0
GT36-1,6~2,9SCF	786-0003-2	GT36-1629S/CK-AD	902-5116-9
GT36-1,6~2,9SCF(A)	786-0004-5	GT36-1629S(A)/CK-AD	902-5112-8

Please refer to our cable termination procedure manual for performing terminations.

Oct. 1, 2024. Copyright 2024 HIROSE ELECTRIC CO., LTD. All Rights Reserved.