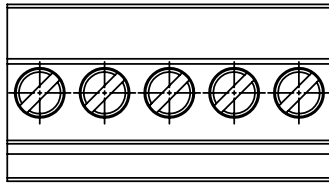


SIGN	DATE	DESCRIPTION	APPROVER
△	8/07'06	Added VDE standard	梁仁松
△	2010.11.29	The tolerance is changed	Jacke

THIS IS CAD DRAWING, DO NOT REVISE MANUALLY!!!

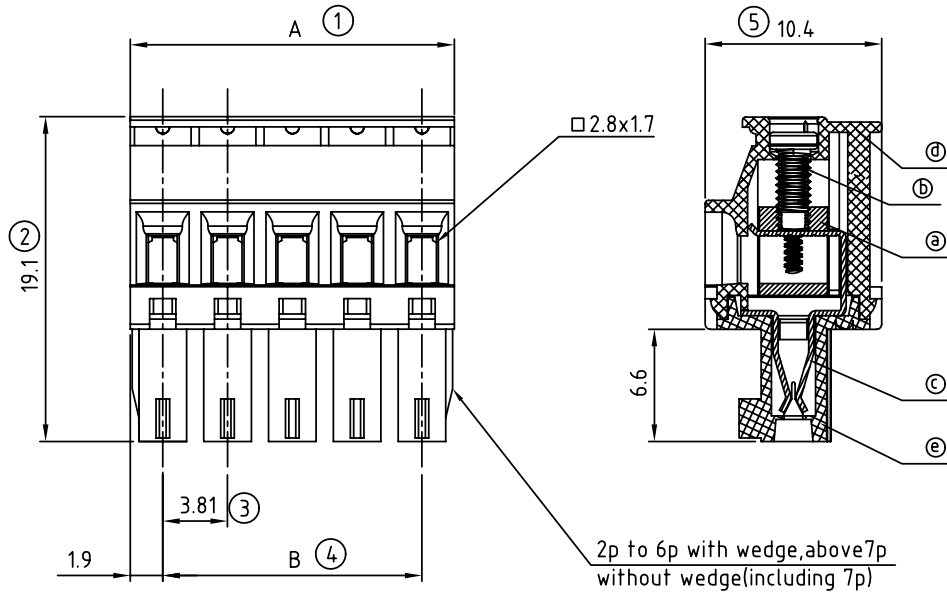


Material

- Item① Clamp: Brass(CuZn),Nickel plated
- Item② Terminal screw: Steel Zinc plating "-" slot type
- Item③ Female contact: PhBz, Tin plated
- Item④ Terminal (housing): Thermoplastic (UL94V-0)
- Item⑤ Terminal (cover): Thermoplastic (UL94V-0)

△ Electrical cULus/VDE

- Voltage rating: 300VAC/300VAC
- Current rating: 8A/10A
- Wire range: 1.5mm²
- Solid wire(AWG): 16-28
- Stranded wire(AWG): 16-28
- Torque: 1.7Lb-In./0.2Nm
- Screw: M2
- Wire strip length: 6-7mm
- Withstanding Voltage: 1.6KV/2.5KV
- Operating temperature: -40°C to +115°C
- Safety approval: us



TS xx 3 1 x A xxxx G

No. OF POLES 02: 2 POLES : : 24: 24 POLES	Color 0 Black (RAL9005) 2 Red (RAL3001/D) 3 Orange(RAL2011/P) 4 Yellow(RAL1018/A) 5 Green(RAL6018/T) 6 Blue (RAL5015/A) 8 Grey(RAL7035/D)	RoHS pb<40 , 000ppm 0000 Standard @ Logo 000A Standard ANY Logo Any special item by customer request, please contact sales department.
---	--	--

DIMENSION
N = Number of contacts

A	NX3.81
B	(N-1)X3.81

Poles	Tolerance
2p-6p	±0.15
7p-12p	±0.20
13p-16p	±0.25
17p-24p	±0.30

ANYTEK

CUSTOMER COPY

ALL RIGHTS RESERVED. REPRODUCTION OR ISSUE TO THIRD PARTIES IN ANY FORM WHATSOEVER IS NOT PERMITTED WITHOUT WRITTEN AUTHORITY FROM THE PROPRIETOR. PROPERTY OF ANYTEK TECHNOLOGY CO., LTD

TITLE		TS-3.81mm Series Without flange (W/latching hooks on the wire entry side)			
PART NO.		TSxx31xAxxxxG		DWG NO. 8TS0301	
APPROVED	CHECKED	DESIGNED	DRAWN	CUST NO.	
		Jacke 2010.11.29	Marvin 2006.08.07		
				UNIT: mm SCALE: NONE SHEET: 01/01 REV.: F	
				Tolerance X. ±0.50 X.X ±0.30 X.XX ±0.10 X° ±1°	