

### 5V, Byte Alterable EEPROM

The X28HC256 is a second generation high performance CMOS 32k x 8 EEPROM. It is fabricated with Intersil's proprietary, textured poly floating gate technology, providing a highly reliable 5V only nonvolatile memory.

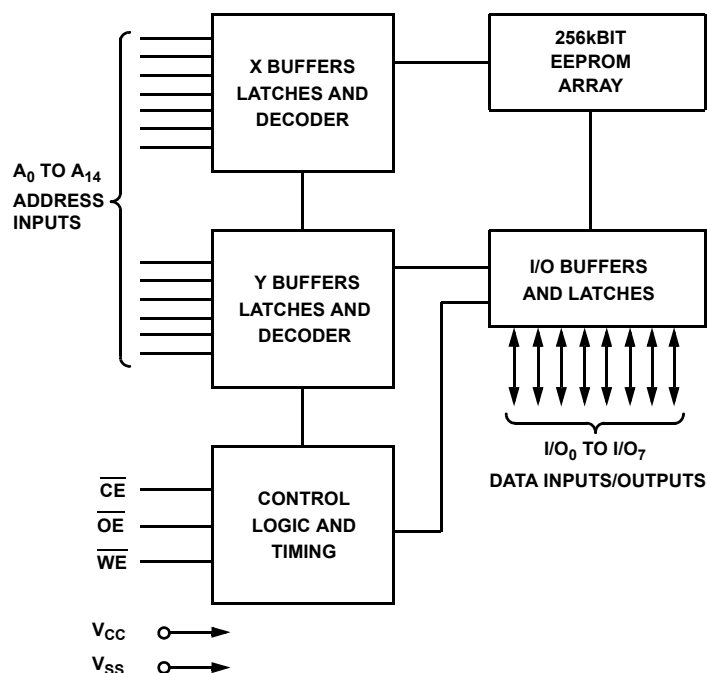
The X28HC256 supports a 128-byte page write operation, effectively providing a 24µs/byte write cycle, and enabling the entire memory to be typically rewritten in less than 0.8 seconds. The X28HC256 also features DATA Polling and Toggle Bit Polling, two methods of providing early end of write detection. The X28HC256 also supports the JEDEC standard Software Data Protection feature for protecting against inadvertent writes during power-up and power-down.

Endurance for the X28HC256 is specified as a minimum 1,000,000 write cycles per byte and an inherent data retention of 100 years.

### Features

- Access time: 70ns
- Simple byte and page write
  - Single 5V supply
  - No external high voltages or V<sub>P,P</sub> control circuits
  - Self-timed
  - No erase before write
  - No complex programming algorithms
  - No overerase problem
- Low power CMOS
  - Active: 60mA
  - Standby: 500µA
- Software data protection
  - Protects data against system level inadvertent writes
- High speed page write capability
- Highly reliable Direct Write™ cell
  - Endurance: 1,000,000 cycles
  - Data retention: 100 years
- Early end of write detection
  - DATA polling
  - Toggle bit polling
- Pb-free available (RoHS compliant)

### Block Diagram



## X28HC256

### Ordering Information

| PART NUMBER               | PART MARKING      | ACCESS TIME<br>(ns) | TEMP. RANGE<br>(°C) | PACKAGE                         | PKG. DWG. # |
|---------------------------|-------------------|---------------------|---------------------|---------------------------------|-------------|
| X28HC256J-15*             | X28HC256J-15 HY   |                     | 0 to +70            | 32 Ld PLCC                      | N32.45x55   |
| X28HC256JZ-15* (Note)     | X28HC256J-15 ZHY  |                     | 0 to +70            | 32 Ld PLCC (Pb-free)            | N32.45x55   |
| X28HC256JI-15*, **        | X28HC256JI-15 HY  |                     | -40 to +85          | 32 Ld PLCC                      | N32.45x55   |
| X28HC256JIZ-15* (Note)    | X28HC256JI-15 ZHY |                     | -40 to +85          | 32 Ld PLCC (Pb-free)            | N32.45x55   |
| X28HC256P-15****          | X28HC256P-15 HY   |                     | 0 to +70            | 28 Ld PDIP                      | E28.6       |
| X28HC256PZ-15**** (Note)  | X28HC256P-15 HYZ  |                     | 0 to +70            | 28 Ld PDIP (Pb-free)            | E28.6       |
| X28HC256PI-15****         | X28HC256PI-15 HY  |                     | -40 to +85          | 28 Ld PDIP                      | E28.6       |
| X28HC256PIZ-15**** (Note) | X28HC256PI-15 HYZ |                     | -40 to +85          | 28 Ld PDIP (Pb-free)            | E28.6       |
| X28HC256SI-15*            | X28HC256SI-15 HY  |                     | -40 to +85          | 28 Ld SOIC (300 mil)            | MDP0027     |
| X28HC256SIZ-15 (Note)     | X28HC256SI-15 HYZ |                     | -40 to +85          | 28 Ld SOIC (300 mil) (Pb-free)  | MDP0027     |
| X28HC256J-12*             | X28HC256J-12 HY   |                     | 0 to +70            | 32 Ld PLCC                      | N32.45x55   |
| X28HC256JZ-12* (Note)     | X28HC256J-12 ZHY  |                     | 0 to +70            | 32 Ld PLCC (Pb-free)            | N32.45x55   |
| X28HC256JI-12*            | X28HC256JI-12 HY  |                     | -40 to +85          | 32 Ld PLCC                      | N32.45x55   |
| X28HC256JIZ-12* (Note)    | X28HC256JI-12 ZHY |                     | -40 to +85          | 32 Ld PLCC (Pb-free)            | N32.45x55   |
| X28HC256P-12****          | X28HC256P-12 HY   |                     | 0 to +70            | 28 Ld PDIP                      | E28.6       |
| X28HC256PZ-12**** (Note)  | X28HC256P-12 HYZ  |                     | 0 to +70            | 28 Ld PDIP (Pb-free)            | E28.6       |
| X28HC256PI-12****         | X28HC256PI-12 HY  |                     | -40 to +85          | 28 Ld PDIP                      | E28.6       |
| X28HC256PIZ-12**** (Note) | X28HC256PI-12 HYZ |                     | -40 to +85          | 28 Ld PDIP (Pb-free)            | E28.6       |
| X28HC256S-12              | X28HC256S-12 HY   | 120                 | 0 to +70            | 28 Ld SOIC (300 mils)           | MDP0027     |
| X28HC256SZ-12 (Note)      | X28HC256S-12 HYZ  |                     | 0 to +70            | 28 Ld SOIC (300 mils) (Pb-free) | MDP0027     |
| X28HC256SI-12             | X28HC256SI-12 HY  |                     | -40 to +85          | 28 Ld SOIC (300 mils)           | MDP0027     |
| X28HC256SIZ-12 (Note)     | X28HC256SI-12 HYZ |                     | -40 to +85          | 28 Ld SOIC (300 mils) (Pb-free) | MDP0027     |
| X28HC256JZ-90* (Note)     | X28HC256J-90 ZHY  |                     | 0 to +70            | 32 Ld PLCC (Pb-free)            | N32.45x55   |
| X28HC256JI-90*            | X28HC256JI-90 HY  |                     | -40 to +85          | 32 Ld PLCC                      | N32.45x55   |
| X28HC256JIZ-90* (Note)    | X28HC256JI-90 ZHY |                     | -40 to +85          | 32 Ld PLCC (Pb-free)            | N32.45x55   |
| X28HC256P-90****          | X28HC256P-90 HY   | 90                  | 0 to +70            | 28 Ld PDIP                      | E28.6       |
| X28HC256PZ-90**** (Note)  | X28HC256P-90 HYZ  |                     | 0 to +70            | 28 Ld PDIP (Pb-free)            | E28.6       |
| X28HC256PIZ-90 (Note)     | X28HC256PI-90 HYZ |                     | -40 to +85          | 28 Ld PDIP (Pb-free)            | E28.6       |
| X28HC256S-90              | X28HC256S-90 HY   |                     | 0 to +70            | 28 Ld SOIC (300 mils)           | MDP0027     |
| X28HC256SI-90             | X28HC256SI-90 HY  |                     | -40 to +85          | 28 Ld SOIC (300 mils)           | MDP0027     |
| X28HC256SIZ-90 (Note)     | X28HC256SI-90 HYZ |                     | -40 to +85          | 28 Ld SOIC (300 mils) (Pb-free) | MDP0027     |

\*Add "T1" suffix for tape and reel.

\*\*Add "T2" suffix for tape and reel.

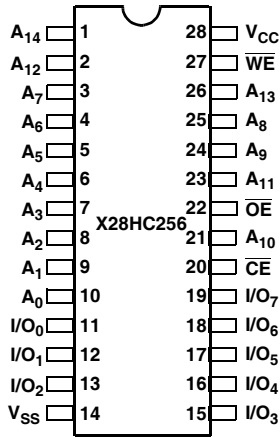
\*\*\*Pb-free PDIPs can be used for through hole wave solder processing only. They are not intended for use in Reflow solder processing applications.

\*\*\*\*Part at Prenotification (will become obsolete).

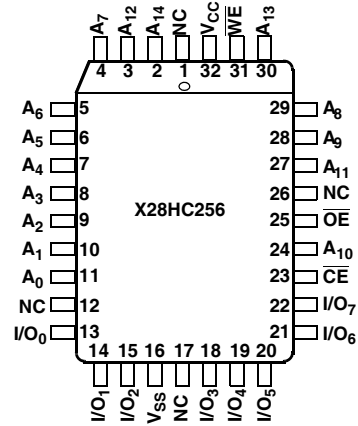
NOTE: These Intersil Pb-free plastic packaged products employ special Pb-free material sets, molding compounds/die attach materials, and 100% matte tin plate plus anneal (e3 termination finish, which is RoHS compliant and compatible with both SnPb and Pb-free soldering operations). Intersil Pb-free products are MSL classified at Pb-free peak reflow temperatures that meet or exceed the Pb-free requirements of IPC/JEDEC J STD-020.

Pinouts

X28HC256  
(28 LD FLATPACK, PDIP, SOIC)  
TOP VIEW



X28HC256  
(32 LD PLCC, LCC)  
TOP VIEW



Pin Descriptions

Addresses ( $A_0$  to  $A_{14}$ )

The Address inputs select an 8-bit memory location during a read or write operation.

Chip Enable ( $\overline{CE}$ )

The Chip Enable input must be LOW to enable all read/write operations. When  $\overline{CE}$  is HIGH, power consumption is reduced.

Output Enable ( $\overline{OE}$ )

The Output Enable input controls the data output buffers, and is used to initiate read operations.

Data In/Data Out ( $I/O_0$  to  $I/O_7$ )

Data is written to or read from the X28HC256 through the I/O pins.

Write Enable ( $\overline{WE}$ )

The Write Enable input controls the writing of data to the X28HC256.

Pin Names

| SYMBOL             | DESCRIPTION       |
|--------------------|-------------------|
| $A_0$ to $A_{14}$  | Address Inputs    |
| $I/O_0$ to $I/O_7$ | Data Input/Output |
| $\overline{WE}$    | Write Enable      |
| $\overline{CE}$    | Chip Enable       |
| $\overline{OE}$    | Output Enable     |
| $V_{CC}$           | +5V               |
| $V_{SS}$           | Ground            |
| NC                 | No Connect        |

Device Operation

Read

Read operations are initiated by both  $\overline{OE}$  and  $\overline{CE}$  LOW. The read operation is terminated by either  $\overline{CE}$  or  $\overline{OE}$  returning HIGH. This two line control architecture eliminates bus contention in a system environment. The data bus will be in a high impedance state when either  $\overline{OE}$  or  $\overline{CE}$  is HIGH.

Write

Write operations are initiated when both  $\overline{CE}$  and  $\overline{WE}$  are LOW and  $\overline{OE}$  is HIGH. The X28HC256 supports both a  $\overline{CE}$  and  $\overline{WE}$  controlled write cycle. That is, the address is latched by the falling edge of either  $\overline{CE}$  or  $\overline{WE}$ , whichever occurs last. Similarly, the data is latched internally by the rising edge of either  $\overline{CE}$  or  $\overline{WE}$ , whichever occurs first. A byte write operation, once initiated, will automatically continue to completion, typically within 3ms.

**Page Write Operation**

The page write feature of the X28HC256 allows the entire memory to be written in typically 0.8 seconds. Page write allows up to one hundred twenty-eight bytes of data to be consecutively written to the X28HC256, prior to the commencement of the internal programming cycle. The host can fetch data from another device within the system during a page write operation (change the source address), but the page address (A<sub>7</sub> through A<sub>14</sub>) for each subsequent valid write cycle to the part during this operation must be the same as the initial page address.

The page write mode can be initiated during any write operation. Following the initial byte write cycle, the host can write an additional one to one hundred twenty-seven bytes in the same manner as the first byte was written. Each successive byte load cycle, started by the  $\overline{WE}$  HIGH to LOW transition, must begin within 100µs of the falling edge of the preceding  $\overline{WE}$ . If a subsequent  $\overline{WE}$  HIGH to LOW transition is not detected within 100µs, the internal automatic programming cycle will commence. There is no page write window limitation. Effectively the page write window is infinitely wide, so long as the host continues to access the device within the byte load cycle time of 100µs.

**Write Operation Status Bits**

The X28HC256 provides the user two write operation status bits. These can be used to optimize a system write cycle time. The status bits are mapped onto the I/O bus as shown in Figure 1.

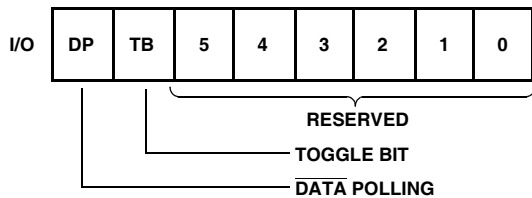


FIGURE 1. STATUS BIT ASSIGNMENT

**DATA Polling (I/O<sub>7</sub>)**

The X28HC256 features  $\overline{DATA}$  Polling as a method to indicate to the host system that the byte write or page write cycle has completed.  $\overline{DATA}$  Polling allows a simple bit test operation to determine the status of the X28HC256. This eliminates additional interrupt inputs or external hardware. During the internal programming cycle, any attempt to read the last byte written will produce the complement of that data on I/O<sub>7</sub> (i.e., write data = 0xxx xxxx, read data = 1xxx xxxx). Once the programming cycle is complete, I/O<sub>7</sub> will reflect true data.

**Toggle Bit (I/O<sub>6</sub>)**

The X28HC256 also provides another method for determining when the internal write cycle is complete. During the internal programming cycle I/O<sub>6</sub> will toggle from HIGH to LOW and LOW to HIGH on subsequent attempts to read the device. When the internal cycle is complete the toggling will

cease, and the device will be accessible for additional read and write operations.

**DATA Polling I/O**

$\overline{DATA}$  Polling can effectively halve the time for writing to the X28HC256. The timing diagram in Figure 2 illustrates the sequence of events on the bus. The software flow diagram in Figure 3 illustrates one method of implementing the routine.

**The Toggle Bit I/O**

The Toggle Bit can eliminate the chore of saving and fetching the last address and data in order to implement  $\overline{DATA}$  Polling. This can be especially helpful in an array comprised of multiple X28HC256 memories that is frequently updated. The timing diagram in Figure 4 illustrates the sequence of events on the bus. The software flow diagram in Figure 5 illustrates a method for polling the Toggle Bit.

**Hardware Data Protection**

The X28HC256 provides two hardware features that protect nonvolatile data from inadvertent writes.

- Default V<sub>CC</sub> Sense—All write functions are inhibited when V<sub>CC</sub> is 3.5V typically.

Write Inhibit—Holding either  $\overline{OE}$  LOW,  $\overline{WE}$  HIGH, or  $\overline{CE}$  HIGH will prevent an inadvertent write cycle during power-up and power-down, maintaining data integrity.

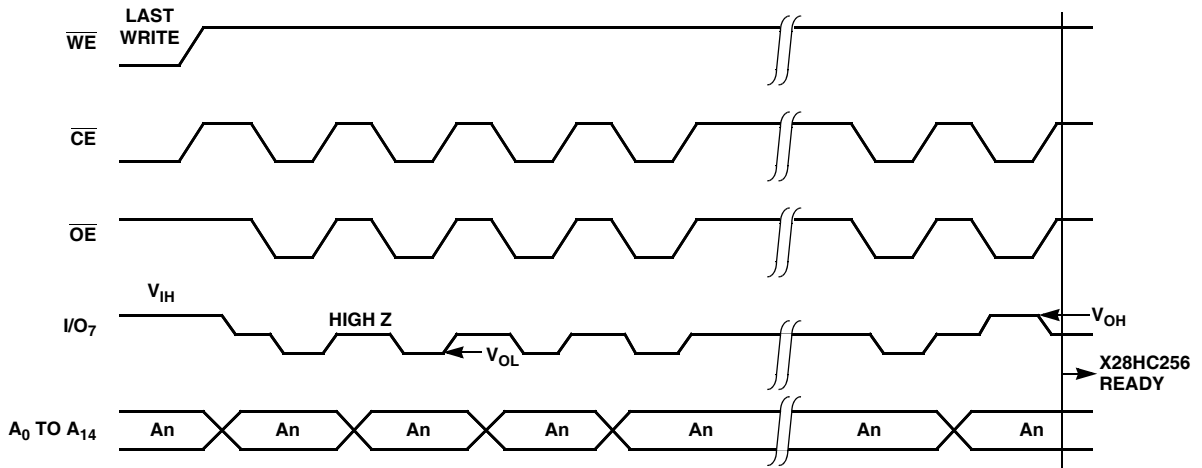


FIGURE 2. DATA POLLING BUS SEQUENCE

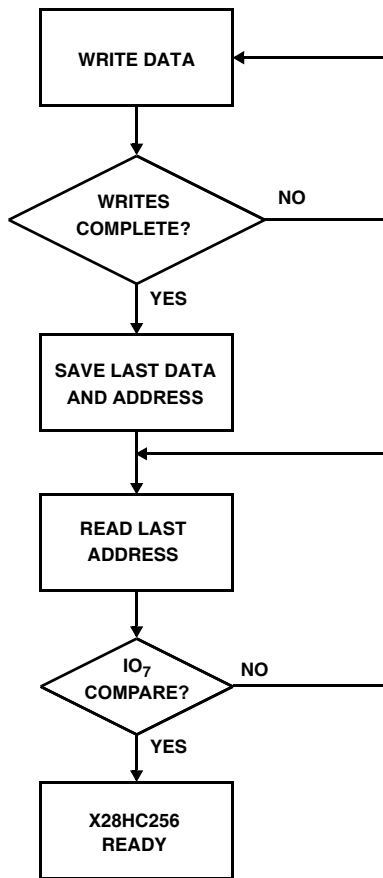
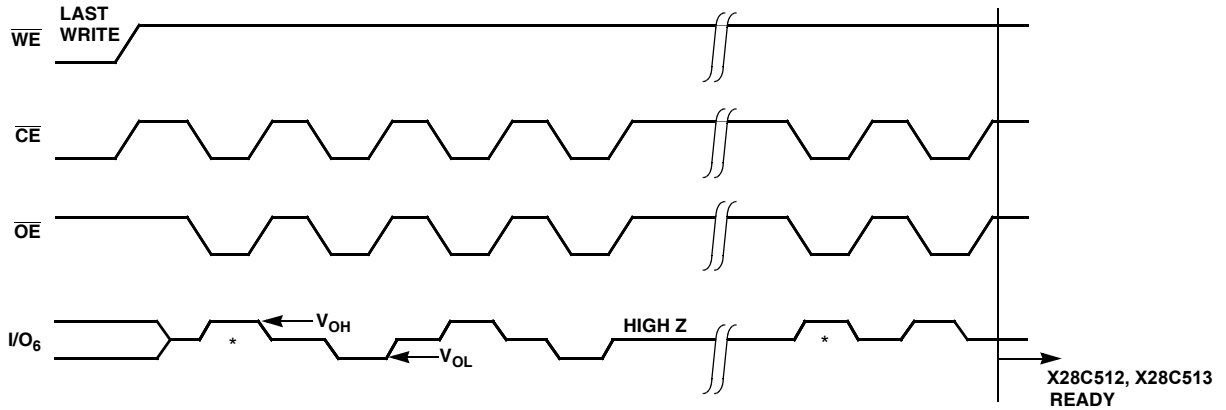


FIGURE 3. DATA POLLING SOFTWARE FLOW



\* I/O<sub>6</sub> Beginning and ending state of I/O<sub>6</sub> will vary.

FIGURE 4. TOGGLE BIT BUS SEQUENCE

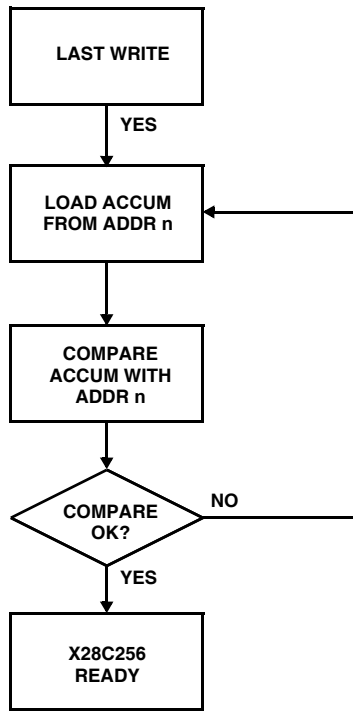


FIGURE 5. TOGGLE BIT SOFTWARE FLOW

The internal software data protection circuit is enabled after the first write operation, utilizing the software algorithm. This circuit is nonvolatile, and will remain set for the life of the device unless the reset command is issued.

Once the software protection is enabled, the X28HC256 is also protected from inadvertent and accidental writes in the powered-up state. That is, the software algorithm must be issued prior to writing additional data to the device.

**Software Algorithm**

Selecting the software data protection mode requires the host system to precede data write operations by a series of three write operations to three specific addresses. Refer to Figures 6 and 7 for the sequence. The three-byte sequence opens the page write window, enabling the host to write from one to one hundred twenty-eight bytes of data. Once the page load cycle has been completed, the device will automatically be returned to the data protected state.

**Software Data Protection**

The X28HC256 offers a software-controlled data protection feature. The X28HC256 is shipped from Intersil with the software data protection NOT ENABLED; that is, the device will be in the standard operating mode. In this mode data should be protected during power-up/down operations through the use of external circuits. The host would then have open read and write access of the device once V<sub>CC</sub> was stable.

The X28HC256 can be automatically protected during power-up and power-down (without the need for external circuits) by employing the software data protection feature.

Software Data Protection

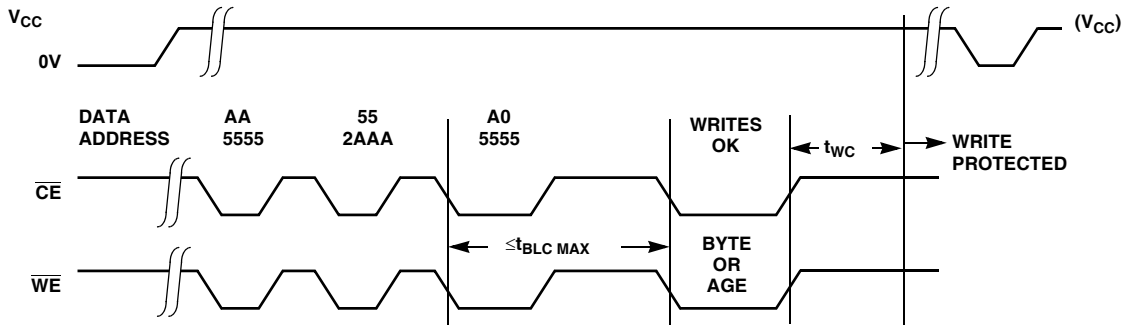
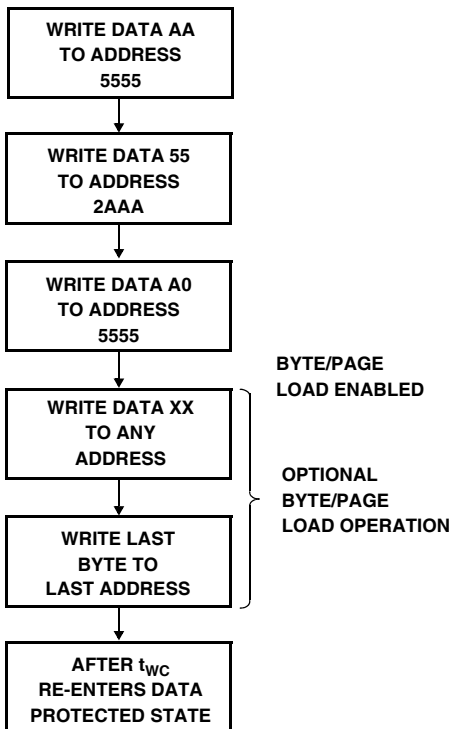


FIGURE 6. TIMING SEQUENCE—BYTE OR PAGE WRITE



Regardless of whether the device has previously been protected or not, once the software data protection algorithm is used and data has been written, the X28HC256 will automatically disable further writes unless another command is issued to cancel it. If no further commands are issued the X28HC256 will be write protected during power-down and after any subsequent power-up.

**Note:** Once initiated, the sequence of write operations should not be interrupted.

**Resetting Software Data Protection**

In the event the user wants to deactivate the software data protection feature for testing or reprogramming in an EEPROM programmer, the following six step algorithm will reset the internal protection circuit. After  $t_{WC}$ , the X28HC256 will be in standard operating mode.

**Note:** Once initiated, the sequence of write operations should not be interrupted.

FIGURE 7. WRITE SEQUENCE FOR SOFTWARE DATA PROTECTION

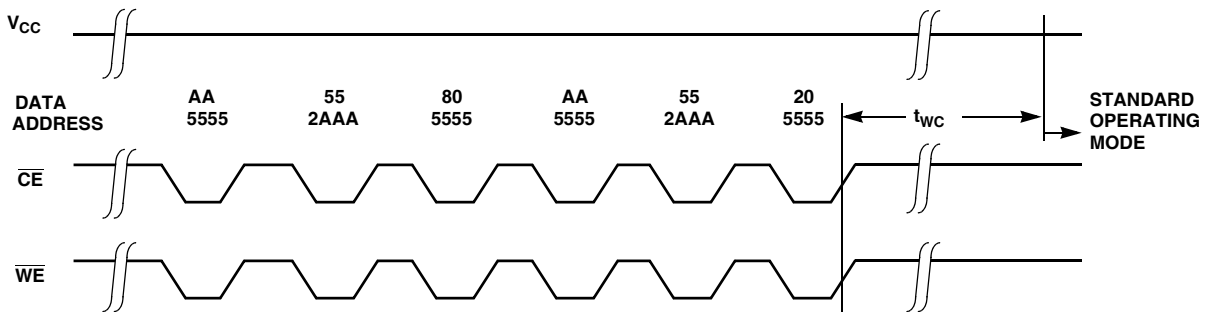


FIGURE 8. RESET SOFTWARE DATA PROTECTION TIMING SEQUENCE

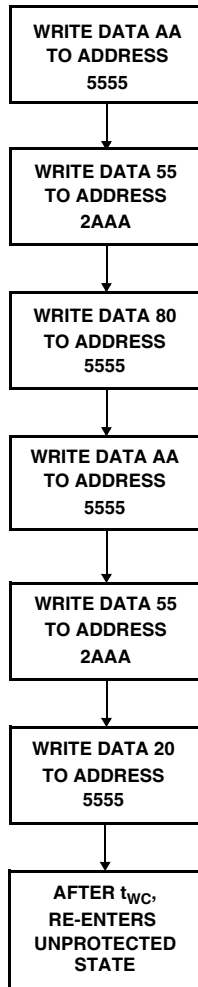


FIGURE 9. WRITE SEQUENCE FOR RESETTING SOFTWARE DATA PROTECTION

### System Considerations

Because the X28HC256 is frequently used in large memory arrays, it is provided with a two line control architecture for both read and write operations. Proper usage can provide the lowest possible power dissipation, and eliminate the possibility of contention where multiple I/O pins share the same bus.

To gain the most benefit, it is recommended that  $\overline{CE}$  be decoded from the address bus and be used as the primary device selection input. Both  $\overline{OE}$  and  $\overline{WE}$  would then be common among all devices in the array. For a read operation, this assures that all deselected devices are in their standby mode, and that only the selected device(s) is/are outputting data on the bus.

Because the X28HC256 has two power modes, standby and active, proper decoupling of the memory array is of prime concern. Enabling  $\overline{CE}$  will cause transient current spikes. The magnitude of these spikes is dependent on the output capacitive loading of the I/Os. Therefore, the larger the array sharing a common bus, the larger the transient spikes. The voltage peaks associated with the current transients can be suppressed by the proper selection and placement of decoupling capacitors. As a minimum, it is recommended that a 0.1  $\mu\text{F}$  high frequency ceramic capacitor be used between  $V_{CC}$  and  $V_{SS}$  at each device. Depending on the size of the array, the value of the capacitor may have to be larger.

In addition, it is recommended that a 4.7  $\mu\text{F}$  electrolytic bulk capacitor be placed between  $V_{CC}$  and  $V_{SS}$  for each eight devices employed in the array. This bulk capacitor is employed to overcome the voltage droop caused by the inductive effects of the PC board traces.



**Absolute Maximum Ratings**

Voltage on any Pin with Respect to  $V_{SS}$  ..... -1V to +7V  
 DC Output Current ..... 10mA

**Operating Conditions**

Temperature Range .....  
 Commercial ..... 0°C to +70°C  
 Industrial ..... -40°C to +85°C  
 Military ..... -55°C to +125°C  
 Supply Voltage ..... 5V ± 10%

**Thermal Information**

Temperature Under Bias ..... -10°C to +85°C  
 X28HC256 ..... -65°C to +135°C  
 X28HC256I, X28HC256M ..... -65°C to +150°C  
 Storage Temperature ..... -65°C to +150°C  
 Pb-free reflow profile ..... see link below  
<http://www.intersil.com/pbfree/Pb-FreeReflow.asp>  
 \*Pb-free PDIPs can be used for through hole wave solder processing only. They are not intended for use in Reflow solder processing applications.

*CAUTION: Do not operate at or near the maximum ratings listed for extended periods of time. Exposure to such conditions may adversely impact product reliability and result in failures not covered by warranty.*

**DC Electrical Specifications** Over Recommended Operating Conditions, Unless Otherwise Specified.

| PARAMETER                              | SYMBOL            | TEST CONDITIONS  | LIMITS |              |              | UNIT |
|--|-------------------|--|--------|--------------|--------------|------|
|  |                   |  | MIN    | TYP (Note 1) | MAX          |      |
| $V_{CC}$ Active Current (TTL Inputs)   | $I_{CC}$          | $\overline{CE} = \overline{OE} = V_{IL}$ , $\overline{WE} = V_{IH}$ , All I/O's = open, address inputs = .4V/2.4V levels @ f = 10MHz |        | 30           | 60           | mA   |
| $V_{CC}$ Standby Current (TTL Inputs)  | $I_{SB1}$         | $\overline{CE} = V_{IH}$ , $\overline{OE} = V_{IL}$ , All I/O's = open, other inputs = $V_{IH}$                                      |        | 1            | 2            | mA   |
| $V_{CC}$ Standby Current (CMOS Inputs) | $I_{SB2}$         | $\overline{CE} = V_{CC} - 0.3V$ , $\overline{OE} = GND$ , All I/Os = open, other inputs = $V_{CC} - 0.3V$                            |        | 200          | 500          | µA   |
| Input Leakage Current                  | $I_{LI}$          | $V_{IN} = V_{SS}$ to $V_{CC}$  |        |              | 10           | µA   |
| Output Leakage Current                 | $I_{LO}$          | $V_{OUT} = V_{SS}$ to $V_{CC}$ , $\overline{CE} = V_{IH}$  |        |              | 10           | µA   |
| Input LOW Voltage                      | $V_{IL}$ (Note 2) |  | -1     |              | 0.8          | V    |
| Input HIGH Voltage                     | $V_{IH}$ (Note 2) |  | 2      |              | $V_{CC} + 1$ | V    |
| Output LOW Voltage                     | $V_{OL}$          | $I_{OL} = 6mA$   |        |              | 0.4          | V    |
| Output HIGH Voltage                    | $V_{OH}$          | $I_{OH} = -4mA$  | 2.4    |              |              | V    |

NOTES:

1. Typical values are for  $T_A = +25^\circ C$  and nominal supply voltage.
2.  $V_{IL}$  min. and  $V_{IH}$  max. are for reference only and are not tested.

**Power-Up Timing**

| PARAMETER         | SYMBOL               | MAX | UNIT |
|-------------------|----------------------|-----|------|
| Power-up to read  | $t_{PUR}$ , (Note 3) | 100 | µs   |
| Power-up to write | $t_{PUW}$ , (Note 3) | 5   | ms   |

NOTE:

3. This parameter is periodically sampled and not 100% tested.

**Capacitance**  $T_A = +25^\circ C$ , f = 1MHz,  $V_{CC} = 5V$ .

| SYMBOL             | TEST                     | CONDITIONS     | MAX | UNIT |
|--------------------|--------------------------|----------------|-----|------|
| $C_{I/O}$ (Note 9) | Input/output capacitance | $V_{I/O} = 0V$ | 10  | pF   |
| $C_{IN}$ (Note 9)  | Input capacitance        | $V_{IN} = 0V$  | 6   | pF   |

**Endurance and Data Retention**

| PARAMETER      | MIN       | MAX | UNIT   |
|----------------|-----------|-----|--------|
| Endurance      | 1,000,000 |     | Cycles |
| Data retention | 100       |     | Years  |

**AC Conditions of Test**

|                                |          |
|--------------------------------|----------|
| Input pulse levels             | 0V to 3V |
| Input rise and fall times      | 5ns      |
| Input and output timing levels | 1.5V     |

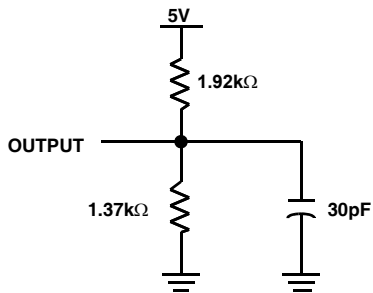
**Mode Selection**

| $\overline{CE}$ | $\overline{OE}$ | $\overline{WE}$ | MODE                      | I/O              | POWER   |
|-----------------|-----------------|-----------------|---------------------------|------------------|---------|
| L               | L               | H               | Read                      | D <sub>OUT</sub> | active  |
| L               | H               | L               | Write                     | D <sub>IN</sub>  | active  |
| H               | X               | X               | Standby and write inhibit | High Z           | standby |
| X               | L               | X               | Write inhibit             | —                | —       |
| X               | X               | H               | Write inhibit             | —                | —       |

**Symbol Table**

| WAVEFORM | INPUTS                      | OUTPUTS                       |
|----------|-----------------------------|-------------------------------|
|          | Must be steady              | Will be steady                |
|          | May change from LOW to HIGH | Will change from LOW to HIGH  |
|          | May change from HIGH to LOW | Will change from HIGH to LOW  |
|          | Don't Care: Changes Allowed | Changing: State Not Known     |
|          | N/A                         | Center Line is High Impedance |

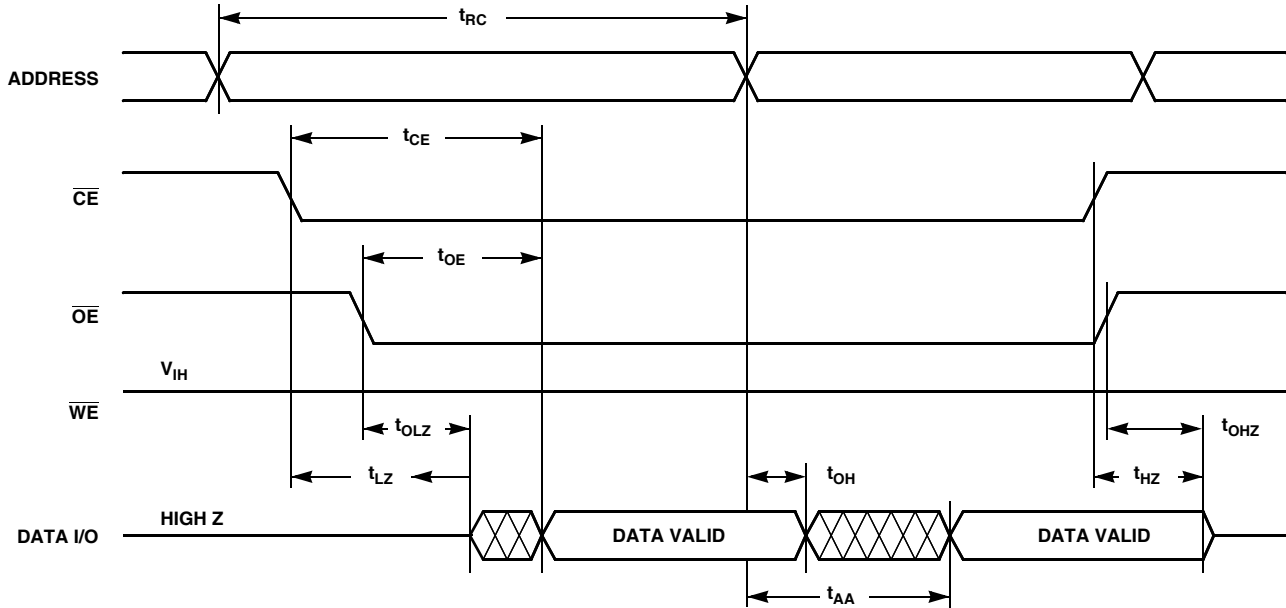
**Equivalent AC Load Circuit**



**AC Electrical Specifications** Over Recommended Operating Conditions, Unless Otherwise Specified.

| PARAMETER                             | SYMBOL                    | X28HC256-70 |     | X28HC256-90 |     | X28HC256-12 |     | X28HC256-15 |     | UNIT |
|---------------------------------------|---------------------------|-------------|-----|-------------|-----|-------------|-----|-------------|-----|------|
|                                       |                           | MIN         | MAX | MIN         | MAX | MIN         | MAX | MIN         | MAX |      |
| Read Cycle Time                       | t <sub>RC</sub> (Note 5)  | 70          |     | 90          |     | 120         |     | 150         |     | ns   |
| Chip Enable Access Time               | t <sub>CE</sub> (Note 5)  |             | 70  |             | 90  |             | 120 |             | 150 | ns   |
| Address Access Time                   | t <sub>AA</sub> (Note 5)  |             | 70  |             | 90  |             | 120 |             | 150 | ns   |
| Output Enable Access Time             | t <sub>OE</sub>           |             | 35  |             | 40  |             | 50  |             | 50  | ns   |
| $\overline{CE}$ LOW to Active Output  | t <sub>LZ</sub> (Note 4)  | 0           |     | 0           |     | 0           |     | 0           |     | ns   |
| $\overline{OE}$ LOW to Active Output  | t <sub>OLZ</sub> (Note 4) | 0           |     | 0           |     | 0           |     | 0           |     | ns   |
| $\overline{CE}$ HIGH to High Z Output | t <sub>HZ</sub> (Note 4)  |             | 35  |             | 40  |             | 50  |             | 50  | ns   |
| $\overline{OE}$ HIGH to High Z Output | t <sub>OHZ</sub> (Note 4) |             | 35  |             | 40  |             | 50  |             | 50  | ns   |
| Output Hold from Address Change       | t <sub>OH</sub>           | 0           |     | 0           |     | 0           |     | 0           |     | ns   |

Read Cycle



NOTES:

- $t_{LZ}$  min.,  $t_{HZ}$ ,  $t_{OLZ}$  min. and  $t_{OHZ}$  are periodically sampled and not 100% tested,  $t_{HZ}$  and  $t_{OHZ}$  are measured with  $C_L = 5\text{pF}$ , from the point when  $\overline{CE}$ ,  $\overline{OE}$  return HIGH (whichever occurs first) to the time when the outputs are no longer driven.
- For faster 256k products, refer to X28VC256 product line.

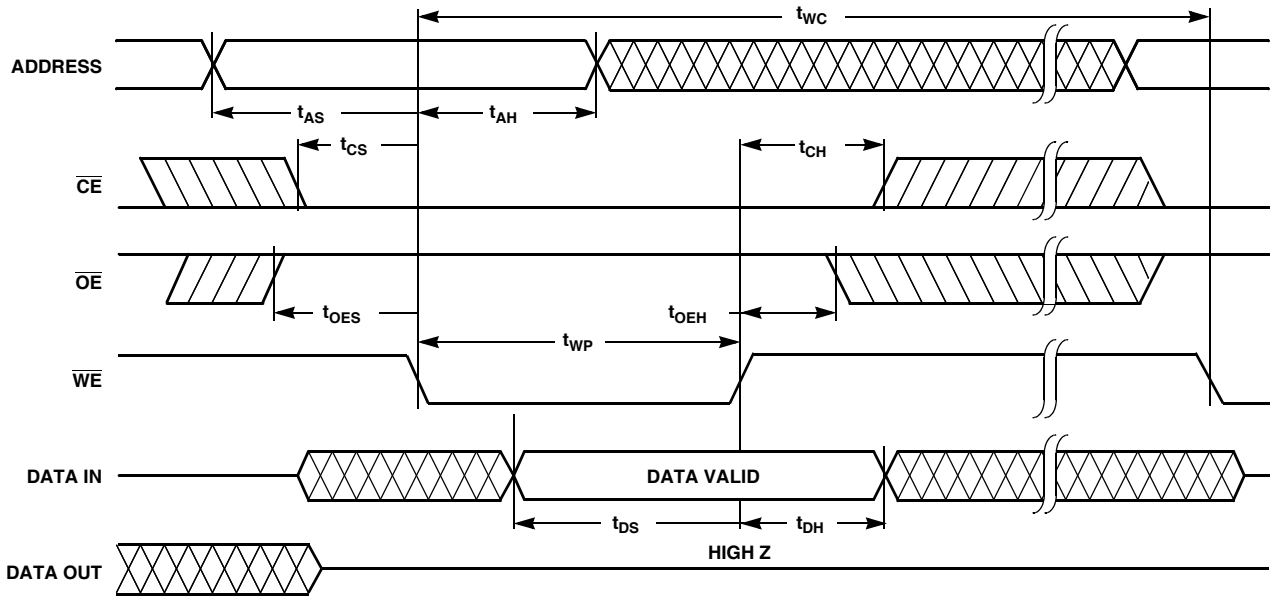
**Write Cycle Limits**

| PARAMETER                                       | SYMBOL             | MIN  | TYP<br>(Note 6) | MAX | UNIT          |
|---|--------------------|------|-----------------|-----|---------------|
| Write Cycle Time                                | $t_{WC}$ (Note 7)  |      | 3               | 5   | ms            |
| Address Setup Time                              | $t_{AS}$           | 0    |                 |     | ns            |
| Address Hold Time                               | $t_{AH}$           | 50   |                 |     | ns            |
| Write Setup Time                                | $t_{CS}$           | 0    |                 |     | ns            |
| Write Hold Time                                 | $t_{CH}$           | 0    |                 |     | ns            |
| $\overline{CE}$ Pulse Width                     | $t_{CW}$           | 50   |                 |     | ns            |
| $\overline{OE}$ HIGH Setup Time                 | $t_{OES}$          | 0    |                 |     | ns            |
| $\overline{OE}$ HIGH Hold Time                  | $t_{OEH}$          | 0    |                 |     | ns            |
| $\overline{WE}$ Pulse Width                     | $t_{WP}$           | 50   |                 |     | ns            |
| $\overline{WE}$ HIGH Recovery (page write only) | $t_{WPH}$ (Note 8) | 50   |                 |     | ns            |
| Data Valid                                      | $t_{DV}$           |      |                 | 1   | $\mu\text{s}$ |
| Data Setup                                      | $t_{DS}$           | 50   |                 |     | ns            |
| Data Hold                                       | $t_{DH}$           | 0    |                 |     | ns            |
| Delay to Next Write After Polling is True       | $t_{DW}$ (Note 8)  | 10   |                 |     | $\mu\text{s}$ |
| Byte Load Cycle                                 | $t_{BLC}$          | 0.15 |                 | 100 | $\mu\text{s}$ |

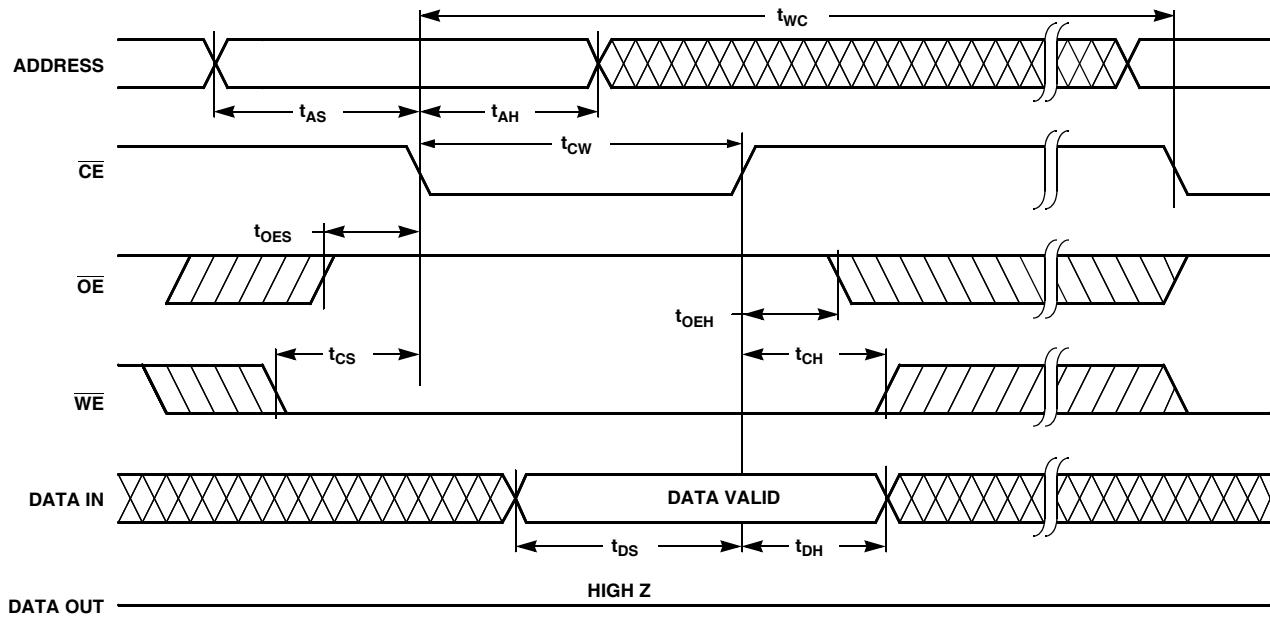
NOTES:

- Typical values are for  $T_A = +25^\circ\text{C}$  and nominal supply voltage.
- $t_{WC}$  is the minimum cycle time to be allowed from the system perspective unless polling techniques are used. It is the maximum time the device requires to automatically complete the internal write operation.
- $t_{WPH}$  and  $t_{DW}$  are periodically sampled and not 100% tested.

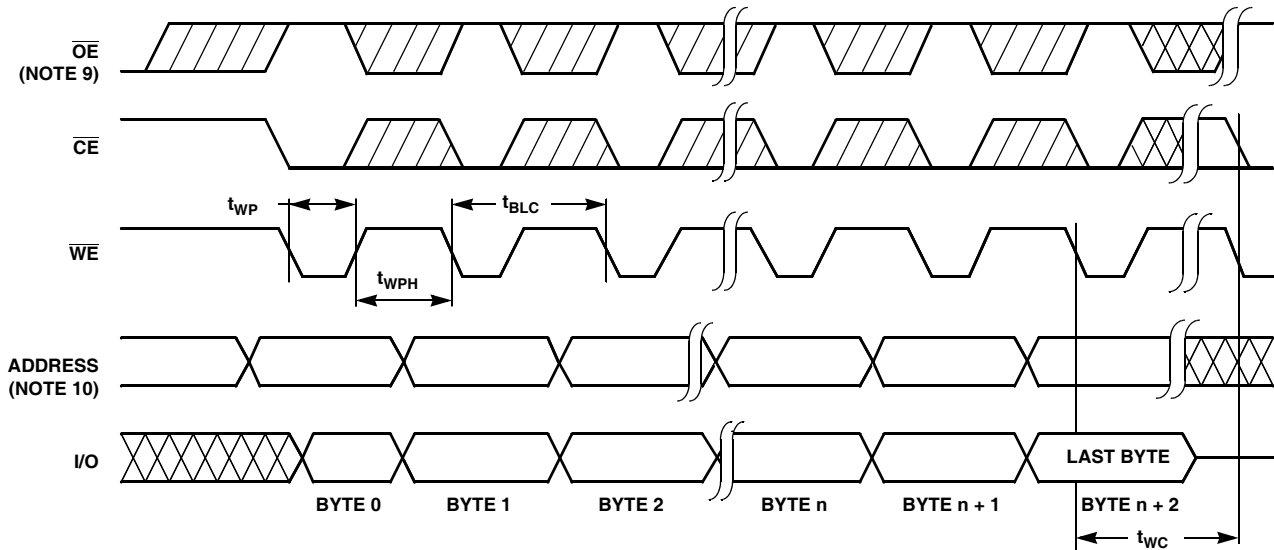
**$\overline{WE}$  Controlled Write Cycle**



**$\overline{CE}$  Controlled Write Cycle**



**Page Write Cycle**

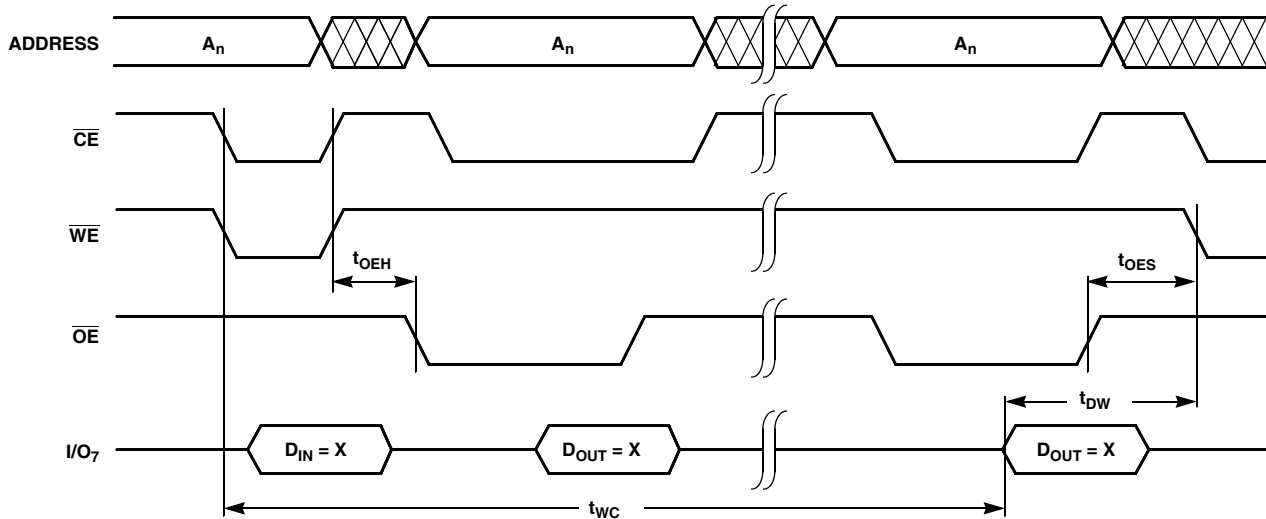


\*For each successive write within the page write operation,  $A_7$  to  $A_{15}$  should be the same or writes to an unknown address could occur.

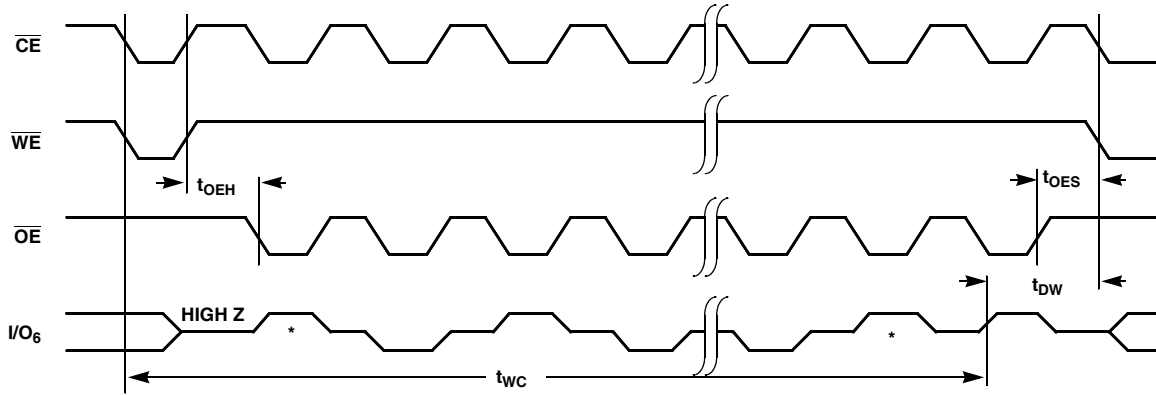
**NOTES:**

9. Between successive byte writes within a page write operation,  $\overline{OE}$  can be strobed LOW: e.g. this can be done with  $\overline{CE}$  and  $\overline{WE}$  HIGH to fetch data from another memory device within the system for the next write; or with  $\overline{WE}$  HIGH and  $\overline{CE}$  LOW effectively performing a polling operation.
10. The timings shown above are unique to page write operations. Individual byte load operations within the page write must conform to either the  $\overline{CE}$  or  $\overline{WE}$  controlled write cycle timing.

**DATA Polling Timing Diagram** (Note 11)



**Toggle Bit Timing Diagram** (Note 11)

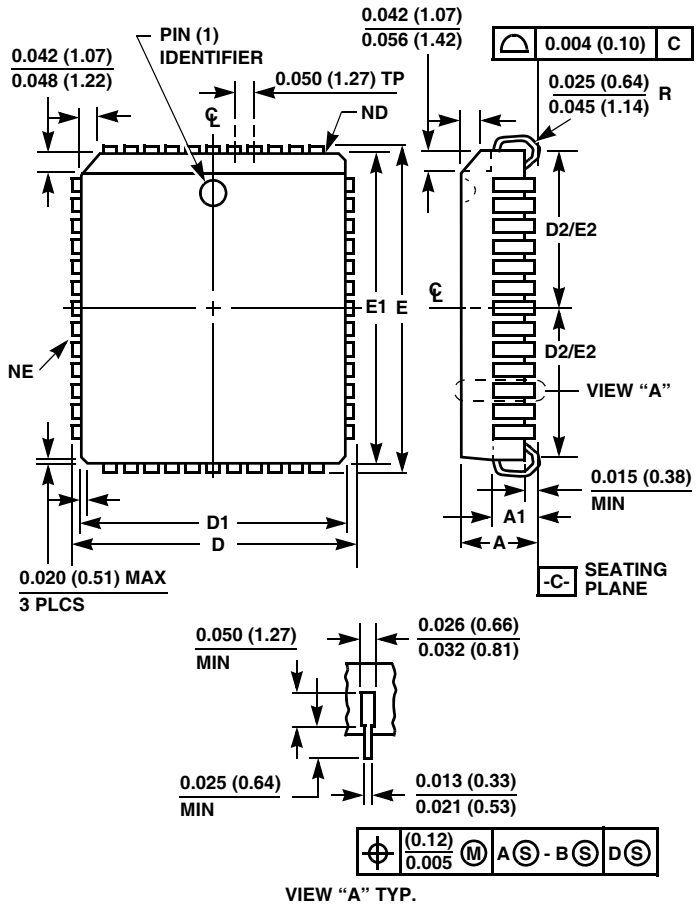


\*  $I/O_6$  beginning and ending state will vary, depending upon actual  $t_{WC}$ .

**NOTE:**

11. Polling operations are by definition read cycles and are therefore subject to read cycle timings.

Plastic Leaded Chip Carrier Packages (PLCC)



**N32.45x55 (JEDEC MS-016AE ISSUE A)**  
32 LEAD PLASTIC LEADED CHIP CARRIER PACKAGE

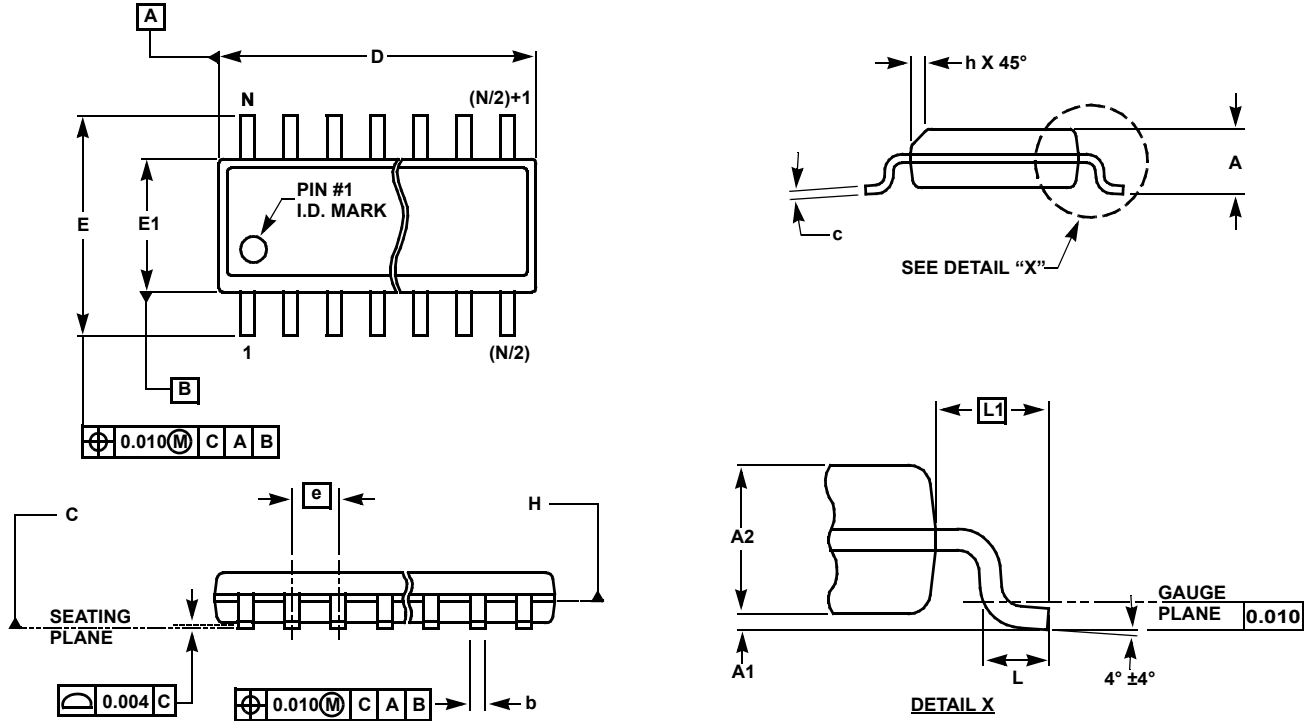
| SYMBOL | INCHES |       | MILLIMETERS |       | NOTES |
|--------|--------|-------|-------------|-------|-------|
|        | MIN    | MAX   | MIN         | MAX   |       |
| A      | 0.125  | 0.140 | 3.18        | 3.55  | -     |
| A1     | 0.060  | 0.095 | 1.53        | 2.41  | -     |
| D      | 0.485  | 0.495 | 12.32       | 12.57 | -     |
| D1     | 0.447  | 0.453 | 11.36       | 11.50 | 3     |
| D2     | 0.188  | 0.223 | 4.78        | 5.66  | 4, 5  |
| E      | 0.585  | 0.595 | 14.86       | 15.11 | -     |
| E1     | 0.547  | 0.553 | 13.90       | 14.04 | 3     |
| E2     | 0.238  | 0.273 | 6.05        | 6.93  | 4, 5  |
| N      | 28     |       | 28          |       | 6     |
| ND     | 7      |       | 7           |       | 7     |
| NE     | 9      |       | 9           |       | 7     |

Rev. 0 7/98

NOTES:

1. Controlling dimension: INCH. Converted millimeter dimensions are not necessarily exact.
2. Dimensions and tolerancing per ANSI Y14.5M-1982.
3. Dimensions D1 and E1 do not include mold protrusions. Allowable mold protrusion is 0.010 inch (0.25mm) per side. Dimensions D1 and E1 include mold mismatch and are measured at the extreme material condition at the body parting line.
4. To be measured at seating plane [-C-] contact point.
5. Centerline to be determined where center leads exit plastic body.
6. "N" is the number of terminal positions.
7. ND denotes the number of leads on the two shorts sides of the package, one of which contains pin #1. NE denotes the number of leads on the two long sides of the package.

Small Outline Package Family (SO)



MDP0027

SMALL OUTLINE PACKAGE FAMILY (SO)

| SYMBOL | INCHES |       |               |                        |               |               |               | TOLERANCE | NOTES |
|--------|--------|-------|---------------|------------------------|---------------|---------------|---------------|-----------|-------|
|        | SO-8   | SO-14 | SO16 (0.150") | SO16 (0.300") (SOL-16) | SO20 (SOL-20) | SO24 (SOL-24) | SO28 (SOL-28) |           |       |
| A      | 0.068  | 0.068 | 0.068         | 0.104                  | 0.104         | 0.104         | 0.104         | MAX       | -     |
| A1     | 0.006  | 0.006 | 0.006         | 0.007                  | 0.007         | 0.007         | 0.007         | ±0.003    | -     |
| A2     | 0.057  | 0.057 | 0.057         | 0.092                  | 0.092         | 0.092         | 0.092         | ±0.002    | -     |
| b      | 0.017  | 0.017 | 0.017         | 0.017                  | 0.017         | 0.017         | 0.017         | ±0.003    | -     |
| c      | 0.009  | 0.009 | 0.009         | 0.011                  | 0.011         | 0.011         | 0.011         | ±0.001    | -     |
| D      | 0.193  | 0.341 | 0.390         | 0.406                  | 0.504         | 0.606         | 0.704         | ±0.004    | 1, 3  |
| E      | 0.236  | 0.236 | 0.236         | 0.406                  | 0.406         | 0.406         | 0.406         | ±0.008    | -     |
| E1     | 0.154  | 0.154 | 0.154         | 0.295                  | 0.295         | 0.295         | 0.295         | ±0.004    | 2, 3  |
| e      | 0.050  | 0.050 | 0.050         | 0.050                  | 0.050         | 0.050         | 0.050         | Basic     | -     |
| L      | 0.025  | 0.025 | 0.025         | 0.030                  | 0.030         | 0.030         | 0.030         | ±0.009    | -     |
| L1     | 0.041  | 0.041 | 0.041         | 0.056                  | 0.056         | 0.056         | 0.056         | Basic     | -     |
| h      | 0.013  | 0.013 | 0.013         | 0.020                  | 0.020         | 0.020         | 0.020         | Reference | -     |
| N      | 8      | 14    | 16            | 16                     | 20            | 24            | 28            | Reference | -     |

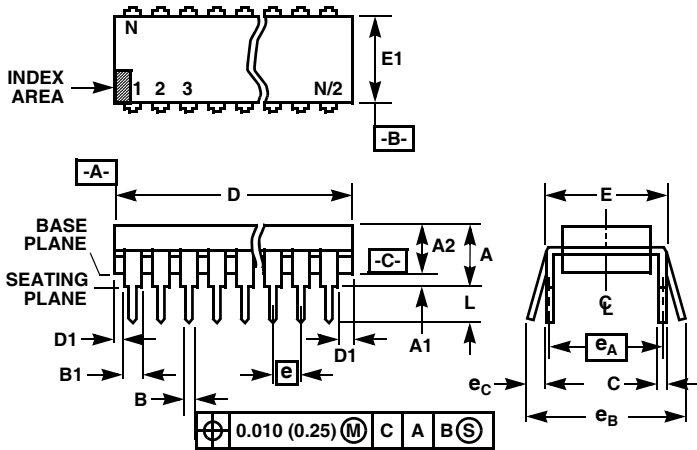
Rev. M 2/07

NOTES:

1. Plastic or metal protrusions of 0.006" maximum per side are not included.
2. Plastic interlead protrusions of 0.010" maximum per side are not included.
3. Dimensions "D" and "E1" are measured at Datum Plane "H".
4. Dimensioning and tolerancing per ASME Y14.5M-1994



Dual-In-Line Plastic Packages (PDIP)



NOTES:

- Controlling Dimensions: INCH. In case of conflict between English and Metric dimensions, the inch dimensions control.
- Dimensioning and tolerancing per ANSI Y14.5M-1982.
- Symbols are defined in the "MO Series Symbol List" in Section 2.2 of Publication No. 95.
- Dimensions A, A1 and L are measured with the package seated in JEDEC seating plane gauge GS-3.
- D, D1, and E1 dimensions do not include mold flash or protrusions. Mold flash or protrusions shall not exceed 0.010 inch (0.25mm).
- E and  $e_A$  are measured with the leads constrained to be perpendicular to datum  $-C-$ .
- $e_B$  and  $e_C$  are measured at the lead tips with the leads unconstrained.  $e_C$  must be zero or greater.
- B1 maximum dimensions do not include dambar protrusions. Dambar protrusions shall not exceed 0.010 inch (0.25mm).
- N is the maximum number of terminal positions.
- Corner leads (1, N, N/2 and N/2 + 1) for E8.3, E16.3, E18.3, E28.3, E42.6 will have a B1 dimension of 0.030 - 0.045 inch (0.76 - 1.14mm).

E28.6 (JEDEC MS-011-AB ISSUE B)  
28 LEAD DUAL-IN-LINE PLASTIC PACKAGE

| SYMBOL | INCHES    |       | MILLIMETERS |       | NOTES |
|--------|-----------|-------|-------------|-------|-------|
|        | MIN       | MAX   | MIN         | MAX   |       |
| A      | -         | 0.250 | -           | 6.35  | 4     |
| A1     | 0.015     | -     | 0.39        | -     | 4     |
| A2     | 0.125     | 0.195 | 3.18        | 4.95  | -     |
| B      | 0.014     | 0.022 | 0.356       | 0.558 | -     |
| B1     | 0.030     | 0.070 | 0.77        | 1.77  | 8     |
| C      | 0.008     | 0.015 | 0.204       | 0.381 | -     |
| D      | 1.380     | 1.565 | 35.1        | 39.7  | 5     |
| D1     | 0.005     | -     | 0.13        | -     | 5     |
| E      | 0.600     | 0.625 | 15.24       | 15.87 | 6     |
| E1     | 0.485     | 0.580 | 12.32       | 14.73 | 5     |
| e      | 0.100 BSC |       | 2.54 BSC    |       | -     |
| $e_A$  | 0.600 BSC |       | 15.24 BSC   |       | 6     |
| $e_B$  | -         | 0.700 | -           | 17.78 | 7     |
| L      | 0.115     | 0.200 | 2.93        | 5.08  | 4     |
| N      | 28        |       | 28          |       | 9     |

Rev. 1 12/00

All Intersil U.S. products are manufactured, assembled and tested utilizing ISO9000 quality systems.  
Intersil Corporation's quality certifications can be viewed at [www.intersil.com/design/quality](http://www.intersil.com/design/quality)

*Intersil products are sold by description only. Intersil Corporation reserves the right to make changes in circuit design, software and/or specifications at any time without notice. Accordingly, the reader is cautioned to verify that data sheets are current before placing orders. Information furnished by Intersil is believed to be accurate and reliable. However, no responsibility is assumed by Intersil or its subsidiaries for its use; nor for any infringements of patents or other rights of third parties which may result from its use. No license is granted by implication or otherwise under any patent or patent rights of Intersil or its subsidiaries.*

For information regarding Intersil Corporation and its products, see [www.intersil.com](http://www.intersil.com)