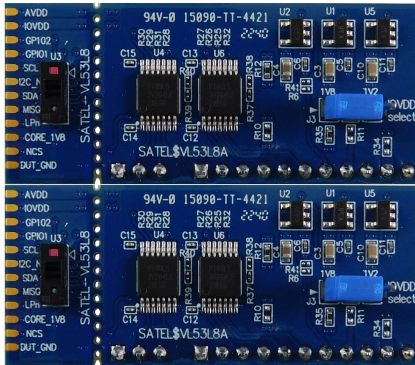


Breakout board based on the VL53L8 series Time-of-Flight sensors



Features

- Breakout boards based on the **VL53L8** series for STM32 Nucleo
 - **VL53L8CX** Low-power high-performance 8x8 multizone ToF sensor
 - **VL53L8CH** Artificial intelligence enabler, high performance 8x8 multizone ToF sensor
- Divisible board that can be used as a mini-PCB breakout board, easy to integrate into the customer's device
- Two breakout boards available in the package
- Compatible with **X-NUCLEO-53L8A1**

Description

The **SATEL-VL53L8** package includes two breakout boards, which can be easily integrated into the customer's devices.

The PCB section that embeds the VL53L8 series Time-of-Flight sensor module is perforated. The developers can then break off the mini-PCB and use it in a 3.3 V supply application via flying wires.

This makes it easier to integrate the **SATEL-VL53L8** breakout boards into the development and evaluation devices, thanks to their small size.

The breakout boards support two products: **VL53L8CX** and **VL53L8CH**.

The **VL53L8CX** is an 8x8 multizone, ToF ranging sensor, which enhances performance under ambient light with a reduced power consumption. Based on STMicroelectronics FlightSense technology, the sensor is designed to provide accurate ranging up to 400 cm with a 65° diagonal FoV.

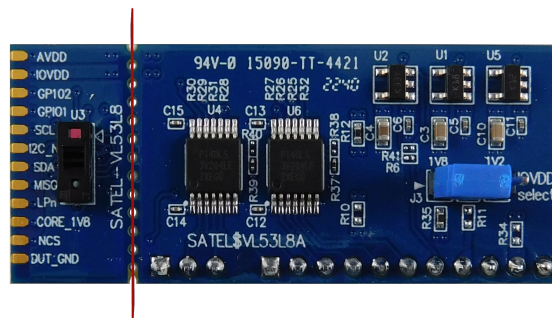
The **VL53L8CH** is the perfect Time-of-Flight sensor enabling AI applications, with enhanced performance under ambient light with a wide 65° diagonal FoV. The compact and normalized histogram (CNH) innovative data output is specially designed for artificial intelligence (AI) applications requiring multizone raw data from a high performance multizone ToF sensor.

Product summary	
Breakout board based on the VL53L8 series Time-of-Flight sensors	SATEL-VL53L8
Time-of-Flight expansion board based on the VL53L8 series for STM32 Nucleo	X-NUCLEO-53L8A1
Applications	Personal Electronics - Audio and Video Gaming and Drones Virtual - Augmented Reality Wearable

1 Breakout boards

You can break the breakout boards along the perforations to use the mini-PCB.

Figure 1. Breakout board



This setup is easier to integrate into a customer's device thanks to its small form factor.

You cannot plug the VL53L8 breakout boards directly onto the X-NUCLEO-53L8A1 expansion board through two six-pin connectors (Figure 2). They can be connected to the X-NUCLEO-53L8A1 by using the mini PCB through flying wires (Figure 3 and Figure 4).

The schematic can be duplicated for the sensor on the right allowing the use of both mini PCB. For more information on connection and how to configure the X-NUCLEO-53L8A1 please refer to UM3120.

Figure 2. SATEL-VL53L8 breakout boards can not be connected to the X-NUCLEO-53L8A1 expansion board

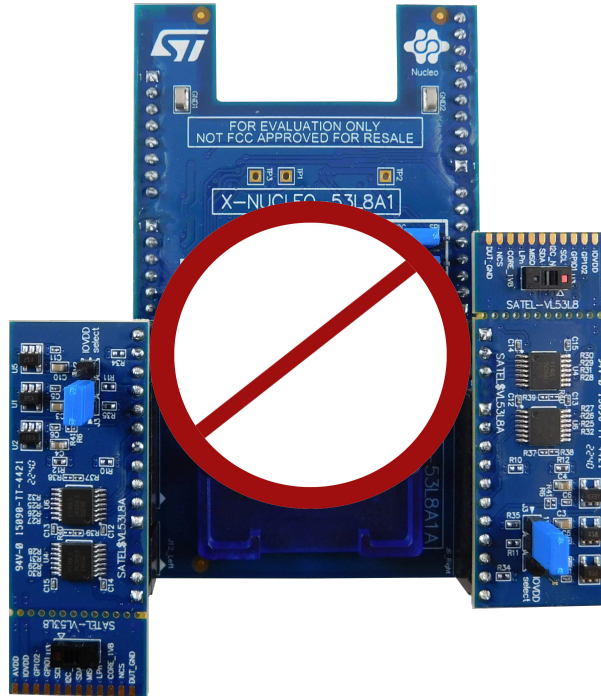


Figure 3. SATEL-VL53L8 mini-PCB flying wire connection to the X-NUCLEO-53L8A1 expansion board in I2C mode. X-NUCLEO-53L8A1 J9 jumper with pin 2 and 3 connected

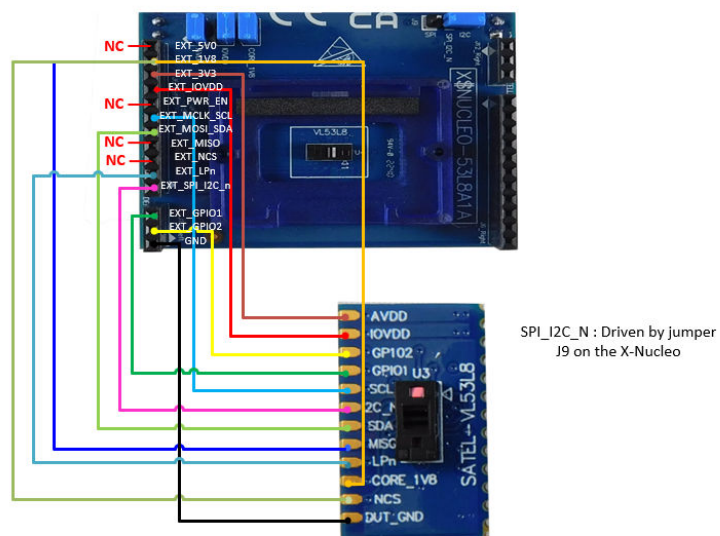
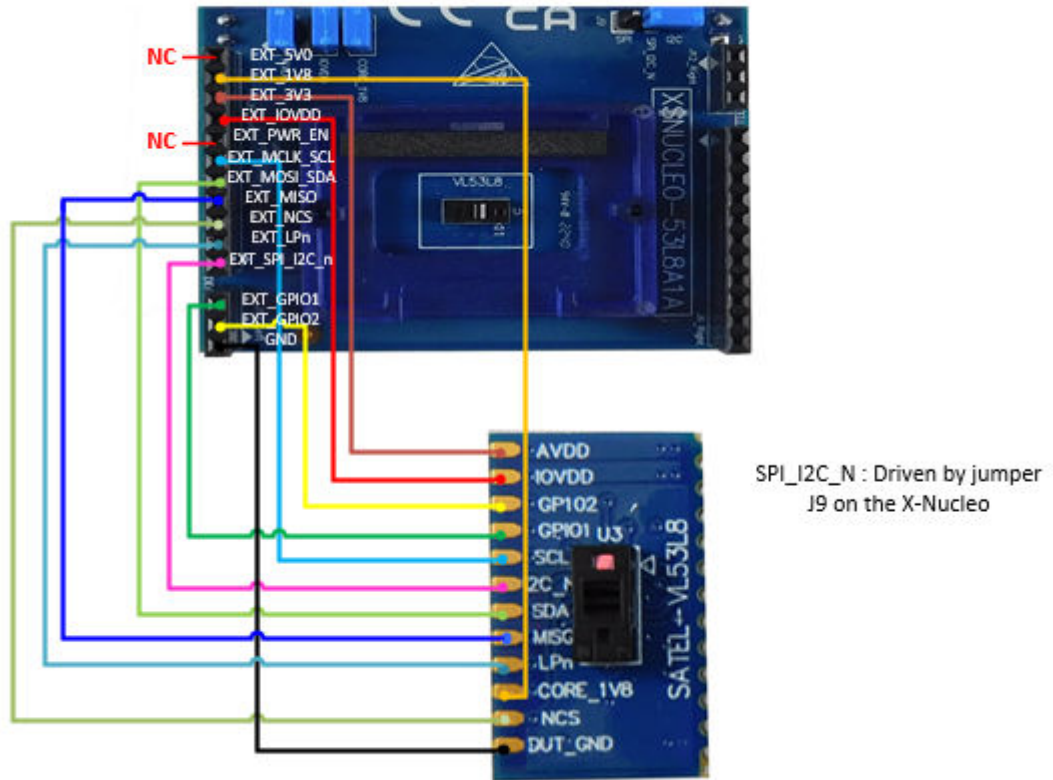


Figure 4. SATEL-VL53L8 mini-PCB flying wire connection to the X-NUCLEO-53L8A1 expansion board in SPI mode. X-NUCLEO-53L8A1 J9 jumper with pin 1 and 2 connected



2 Ordering information for the VL53L8 series ToF sensor

This board is equipped with a noncommercial VL53L8CA evaluation purpose only Time-of-Flight sensor. Its equivalent orderable products are listed in the following table.

For a detailed description of each sensor, please refer to its datasheet on the product web page.

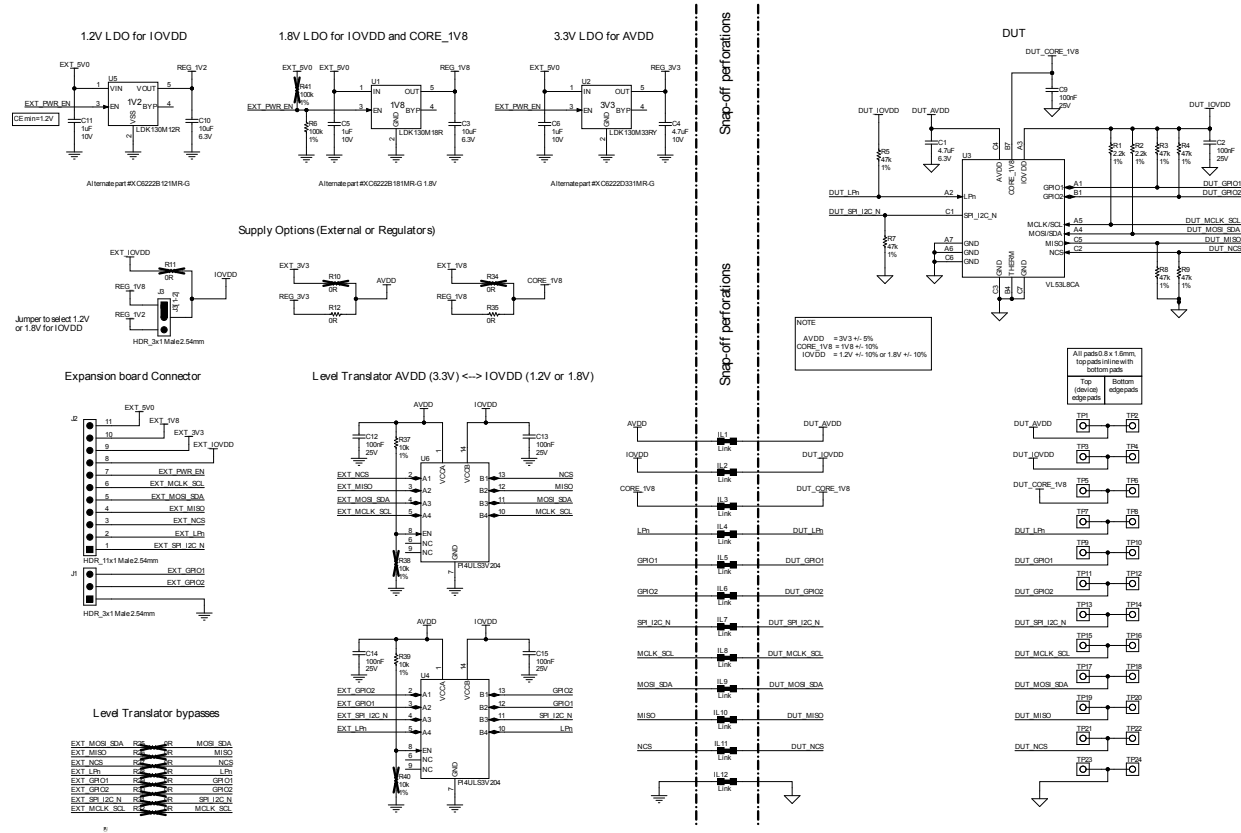
Additional information is available from the user manual and collateral documents of the target ToF sensor.

Table 1. Orderable products

RPN	CPN	Datasheet	Features
VL53L8CX	VL53L8CXV0GC/1	DS14161	Low-power high-performance 8x8 multizone Time-of-Flight sensor
VL53L8CH	VL53L8CHV0GC/1	DS14310	Artificial intelligence enabler, high performance 8x8 multizone Time-of-Flight sensor

3 Schematic diagram

Figure 5. SATEL-VL53L8 circuit schematic



4 Board versions

Table 2. SATEL-VL53L8 versions

Finished good	Schematic diagrams	Bill of materials
SATEL\$VL53L8A ⁽¹⁾	SATEL\$VL53L8A schematic diagrams	SATEL\$VL53L8A bill of materials

1. This code identifies the SATEL-VL53L8 expansion board first version.

Revision history

Table 3. Document revision history

Date	Revision	Changes
09-Mar-2023	1	Initial release.
02-Aug-2023	2	Updated Section Features , Section Description and Section 2 Ordering information for the VL53L8 series ToF sensor.

IMPORTANT NOTICE – READ CAREFULLY

STMicroelectronics NV and its subsidiaries (“ST”) reserve the right to make changes, corrections, enhancements, modifications, and improvements to ST products and/or to this document at any time without notice. Purchasers should obtain the latest relevant information on ST products before placing orders. ST products are sold pursuant to ST’s terms and conditions of sale in place at the time of order acknowledgment.

Purchasers are solely responsible for the choice, selection, and use of ST products and ST assumes no liability for application assistance or the design of purchasers’ products.

No license, express or implied, to any intellectual property right is granted by ST herein.

Resale of ST products with provisions different from the information set forth herein shall void any warranty granted by ST for such product.

ST and the ST logo are trademarks of ST. For additional information about ST trademarks, refer to www.st.com/trademarks. All other product or service names are the property of their respective owners.

Information in this document supersedes and replaces information previously supplied in any prior versions of this document.

© 2023 STMicroelectronics – All rights reserved