

# TLV5627C, TLV5627I

## 2.7-V TO 5.5-V 8-BIT 4-CHANNEL DIGITAL-TO-ANALOG CONVERTERS WITH POWER DOWN

SLAS232A – JUNE 1999 – REVISED JULY 2002

- Four 8-Bit D/A Converters
- Programmable Settling Time of 2.5  $\mu$ s or 8.5  $\mu$ s Typ
- TMS320, (Q)SPI™, and Microwire™ Compatible Serial Interface
- Low Power Consumption:  
7 mW, Slow Mode – 5-V Supply  
3 mW, Slow Mode – 3-V Supply
- Reference Input Buffers
- Monotonic Over Temperature
- Dual 2.7-V to 5.5-V Supply (Separate Digital and Analog Supplies)

- Hardware Power Down
- Software Power Down
- Simultaneous Update

### applications

- Battery Powered Test Instruments
- Digital Offset and Gain Adjustment
- Industrial Process Controls
- Machine and Motion Control Devices
- Arbitrary Waveform Generation

### description

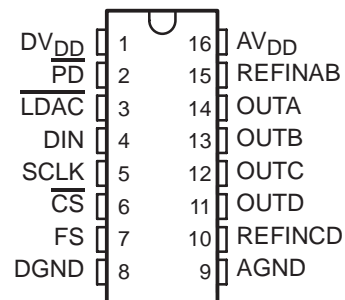
The TLV5627 is a four channel, 8-bit voltage output digital-to-analog converter (DAC) with a flexible 4-wire serial interface. The 4-wire serial interface allows glueless interface to TMS320, SPI, QSPI, and Microwire serial ports. The TLV5627 is programmed with a 16-bit serial word comprised of a DAC address, individual DAC control bits, and an 8-bit DAC value.

The device has provision for two supplies: one digital supply for the serial interface (via pins  $DV_{DD}$  and DGND), and one for the DACs, reference buffers and output buffers (via pins  $AV_{DD}$  and AGND). Each supply is independent of the other, and can be any value between 2.7 V and 5.5 V. The dual supplies allow a typical application where the DAC will be controlled via a microprocessor operating on a 3-V supply (also used on pins  $DV_{DD}$  and DGND), with the DACs operating on a 5-V supply. The digital and analog supplies can be tied together.

The resistor string output voltage is buffered by an x2 gain rail-to-rail output buffer. The buffer features a Class AB output stage to improve stability and reduce settling time. A rail-to-rail output stage and a power-down mode make it ideal for single voltage, battery based applications. The settling time of the DAC is programmable to allow the designer to optimize speed versus power dissipation. The settling time is chosen by the control bits within the 16-bit serial input string. A high-impedance buffer is integrated on the REFINAB and REFINCD terminals to reduce the need for a low source impedance drive to the terminal. REFINAB and REFINCD allow DACs A and B to have a different reference voltage than DACs C and D.

The device, implemented with a CMOS process, is available in 16-terminal SOIC and TSSOP packages. The TLV5627C is characterized for operation from 0°C to 70°C. The TLV5627I is characterized for operation from –40°C to 85°C.

D OR PW PACKAGE  
(TOP VIEW)



Please be aware that an important notice concerning availability, standard warranty, and use in critical applications of Texas Instruments semiconductor products and disclaimers thereto appears at the end of this data sheet.

SPI and QSPI are trademarks of Motorola, Inc.  
Microwire is a trademark of National Semiconductor Corporation.

PRODUCTION DATA information is current as of publication date. Products conform to specifications per the terms of Texas Instruments standard warranty. Production processing does not necessarily include testing of all parameters.



POST OFFICE BOX 655303 • DALLAS, TEXAS 75265

Copyright © 2002, Texas Instruments Incorporated

# TLV5627C, TLV5627I

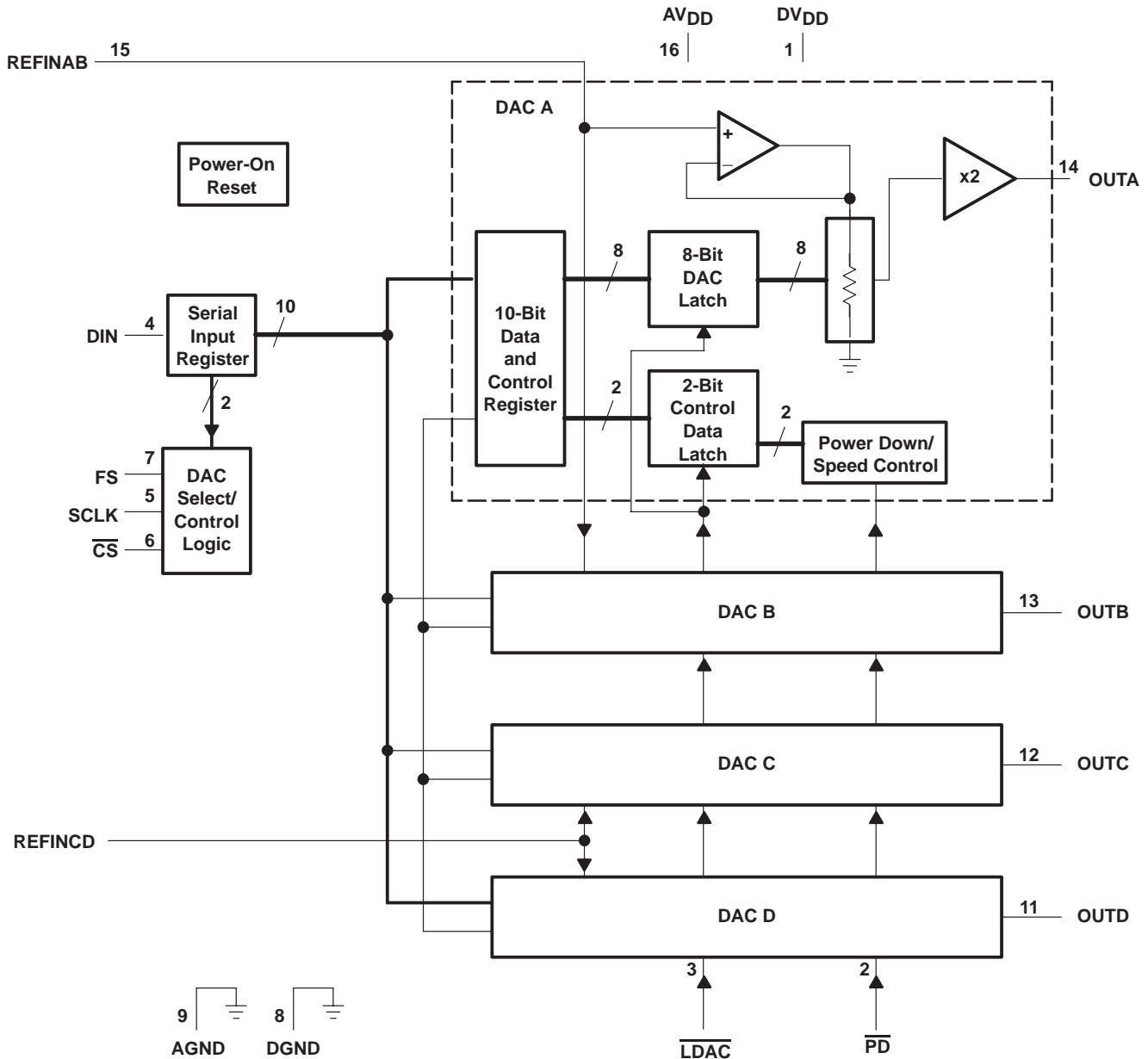
## 2.7-V TO 5.5-V 8-BIT 4-CHANNEL DIGITAL-TO-ANALOG CONVERTERS WITH POWER DOWN

SLAS232A – JUNE 1999 – REVISED JULY 2002

### AVAILABLE OPTIONS

T <sub>A</sub>	PACKAGE	
	SOIC (D)	TSSOP (PW)
0°C to 70°C	TLV5627CD	TLV5627CPW
-40°C to 85°C	TLV5627ID	TLV5627IPW

### functional block diagram



**TLV5627C, TLV5627I**  
**2.7-V TO 5.5-V 8-BIT 4-CHANNEL DIGITAL-TO-ANALOG CONVERTERS**  
**WITH POWER DOWN**

SLAS232A – JUNE 1999 – REVISED JULY 2002

**Terminal Functions**

TERMINAL NAME	NO.	I/O	DESCRIPTION
AGND	9		Analog ground
AV <sub>DD</sub>	16		Analog supply
$\overline{\text{CS}}$	6	I	Chip select. This terminal is active low.
DGND	8		Digital ground
DIN	4	I	Serial data input
DV <sub>DD</sub>	1		Digital supply
FS	7	I	Frame sync input. The falling edge of the frame sync pulse indicates the start of a serial data frame shifted out to the TLV5627.
$\overline{\text{PD}}$	2	I	Power-down pin. Powers down all DACs (overriding their individual power down settings), and all output stages. This terminal is active low.
$\overline{\text{LDAC}}$	3	I	Load DAC. When the $\overline{\text{LDAC}}$ signal is high, no DAC output updates occur when the input digital data is read into the serial interface. The DAC outputs are only updated when LDAC is low.
REFINAB	15	I	Voltage reference input for DACs A and B.
REFINCD	10	I	Voltage reference input for DACs C and D.
SCLK	5	I	Serial clock input
OUTA	14	O	DAC A output
OUTB	13	O	DAC B output
OUTC	12	O	DAC C output
OUTD	11	O	DAC D output

**absolute maximum ratings over operating free-air temperature range (unless otherwise noted)†**

Supply voltage, (DV <sub>DD</sub> , AV <sub>DD</sub> to GND)	7 V
Supply voltage difference, (AV <sub>DD</sub> to DV <sub>DD</sub> )	–2.8 V to 2.8 V
Digital input voltage range	–0.3 V to DV <sub>DD</sub> + 0.3 V
Reference input voltage range	–0.3 V to AV <sub>DD</sub> + 0.3 V
Operating free-air temperature range, T <sub>A</sub> : TLV5627C	0°C to 70°C
TLV5627I	–40°C to 85°C
Storage temperature range, T <sub>stg</sub>	–65°C to 150°C
Lead temperature 1,6 mm (1/16 inch) from case for 10 seconds	260°C

† Stresses beyond those listed under “absolute maximum ratings” may cause permanent damage to the device. These are stress ratings only, and functional operation of the device at these or any other conditions beyond those indicated under “recommended operating conditions” is not implied. Exposure to absolute-maximum-rated conditions for extended periods may affect device reliability.



# TLV5627C, TLV5627I

## 2.7-V TO 5.5-V 8-BIT 4-CHANNEL DIGITAL-TO-ANALOG CONVERTERS WITH POWER DOWN

SLAS232A – JUNE 1999 – REVISED JULY 2002

### recommended operating conditions

		MIN	NOM	MAX	UNIT
Supply voltage, $AV_{DD}$ , $DV_{DD}$	5-V supply	4.5	5	5.5	V
	3-V supply	2.7	3	3.3	
High-level digital input voltage, $V_{IH}$	$DV_{DD} = 2.7\text{ V}$	2			V
	$DV_{DD} = 5.5\text{ V}$	2.4			
Low-level digital input voltage, $V_{IL}$	$DV_{DD} = 2.7\text{ V}$			0.6	V
	$DV_{DD} = 5.5\text{ V}$			1	
Reference voltage, $V_{ref}$ to REFINAB, REFINCD terminal	5-V supply (see Note 1)	0	2.048	$AV_{DD}-1.5$	V
	3-V supply (see Note 1)	0	1.024	$AV_{DD}-1.5$	
Load resistance, $R_L$		2	10		k $\Omega$
Load capacitance, $C_L$				100	pF
Serial clock rate, SCLK				20	MHz
Operating free-air temperature	TLV5627C	0		70	$^{\circ}\text{C}$
	TLV5627I	-40		85	

NOTE 1: Voltages greater than  $AV_{DD}/2$  will cause output saturation for large DAC codes.

### electrical characteristics over recommended operating free-air temperature range (unless otherwise noted)

#### static DAC specifications

PARAMETER		TEST CONDITIONS	MIN	TYP	MAX	UNIT
Resolution			8			bits
Integral nonlinearity (INL), end point adjusted		See Note 2		$\pm 0.3$	$\pm 0.5$	LSB
Differential nonlinearity (DNL)		See Note 3		$\pm 0.03$	$\pm 0.5$	LSB
E <sub>ZS</sub>	Zero scale error (offset error at zero scale)	See Note 4			$\pm 10$	mV
Zero scale error temperature coefficient		See Note 5		10		ppm/ $^{\circ}\text{C}$
E <sub>G</sub>	Gain error	See Note 6			$\pm 0.6$	%of FS voltage
Gain error temperature coefficient		See Note 7		10		ppm/ $^{\circ}\text{C}$

- NOTES: 2. The relative accuracy or integral nonlinearity (INL) sometimes referred to as linearity error, is the maximum deviation of the output from the line between zero and full scale excluding the effects of zero code and full-scale errors.
3. The differential nonlinearity (DNL) sometimes referred to as differential error, is the difference between the measured and ideal 1 LSB amplitude change of any two adjacent codes. Monotonic means the output voltage changes in the same direction (or remains constant) as a change in the digital input code.
4. Zero-scale error is the deviation from zero voltage output when the digital input code is zero.
5. Zero-scale-error temperature coefficient is given by:  $E_{ZS\ TC} = [E_{ZS}(T_{max}) - E_{ZS}(T_{min})]/V_{ref} \times 10^6/(T_{max} - T_{min})$ .
6. Gain error is the deviation from the ideal output ( $2V_{ref} - 1\text{ LSB}$ ) with an output load of 10 k $\Omega$  excluding the effects of the zero-error.
7. Gain temperature coefficient is given by:  $E_{G\ TC} = [E_G(T_{max}) - E_G(T_{min})]/V_{ref} \times 10^6/(T_{max} - T_{min})$ .



# TLV5627C, TLV5627I

## 2.7-V TO 5.5-V 8-BIT 4-CHANNEL DIGITAL-TO-ANALOG CONVERTERS WITH POWER DOWN

SLAS232A – JUNE 1999 – REVISED JULY 2002

electrical characteristics over recommended operating free-air temperature range  
(unless otherwise noted) (continued)

### individual DAC output specifications

PARAMETER	TEST CONDITIONS	MIN	TYP	MAX	UNIT
$V_O$ Voltage output	$R_L = 10\text{ k}\Omega$	0		$AV_{DD}-0.4$	V
Output load regulation accuracy	$R_L = 2\text{ k}\Omega$ vs $10\text{ k}\Omega$		0.1	0.25	% of FS voltage

### reference input (REFINAB, REFINCD)

PARAMETER	TEST CONDITIONS	MIN	TYP	MAX	UNIT
$V_I$ Input voltage range	See Note 8	0		$AV_{DD}-1.5$	V
$R_I$ Input resistance			10		$M\Omega$
$C_I$ Input capacitance			5		pF
Reference feed through	$REFIN = 1\text{ V}_{pp}$ at 1 kHz + 1.024 V dc (see Note 9)		-75		dB
Reference input bandwidth	$REFIN = 0.2\text{ V}_{pp} + 1.024\text{ V dc}$	Slow	0.5		MHz
		Fast	1		

NOTES: 8. Reference input voltages greater than  $V_{DD}/2$  will cause output saturation for large DAC codes.

9. Reference feedthrough is measured at the DAC output with an input code = 000 hex and a  $V_{ref}(REFINAB$  or  $REFINCD)$  input =  $1.024\text{ Vdc} + 1\text{ V}_{pp}$  at 1 kHz.

### digital inputs ( $\overline{D0-D11}$ , $\overline{CS}$ , $\overline{WEB}$ , $\overline{LDAC}$ , $\overline{PD}$ )

PARAMETER	TEST CONDITIONS	MIN	TYP	MAX	UNIT
$I_{IH}$ High-level digital input current	$V_I = DV_{DD}$			$\pm 1$	$\mu\text{A}$
$I_{IL}$ Low-level digital input current	$V_I = 0\text{ V}$			$\pm 1$	$\mu\text{A}$
$C_I$ Input capacitance			3		pF

### power supply

PARAMETER	TEST CONDITIONS	MIN	TYP	MAX	UNIT	
$I_{DD}$ Power supply current	5-V supply, No load, Clock running	Slow	1.4	2.2	mA	
		Fast	3.5	5.5		
	3-V supply, No load, Clock running	Slow		1	1.5	mA
		Fast		3	4.5	
Power down supply current, See Figure 12			1		$\mu\text{A}$	
PSRR Power supply rejection ratio	Zero scale gain			-68	dB	
	Gain	See Notes 10 and 11		-68		

10. Zero-scale-error rejection ratio (EZR-RR) is measured by varying the  $AV_{DD}$  from  $5 \pm 0.5\text{ V}$  and  $3 \pm 0.3\text{ V dc}$ , and measuring the proportion of this signal imposed on the zero-code output voltage.

11. Gain-error rejection ratio (EG-RR) is measured by varying the  $AV_{DD}$  from  $5 \pm 0.5\text{ V}$  and  $3 \pm 0.3\text{ V dc}$  and measuring the proportion of this signal imposed on the full-scale output voltage after subtracting the zero scale change.



# TLV5627C, TLV5627I

## 2.7-V TO 5.5-V 8-BIT 4-CHANNEL DIGITAL-TO-ANALOG CONVERTERS WITH POWER DOWN

SLAS232A – JUNE 1999 – REVISED JULY 2002

### electrical characteristics over recommended operating free-air temperature range (unless otherwise noted) (continued)

#### analog output dynamic performance

PARAMETER		TEST CONDITIONS	MIN	TYP	MAX	UNIT
SR	Output slew rate	$C_L = 100 \text{ pF}$ , $R_L = 10 \text{ k}\Omega$ , $V_O = 10\% \text{ to } 90\%$ , $V_{ref} = 2.048 \text{ V}, 1024 \text{ V}$	Fast	5		$\text{V}/\mu\text{s}$
			Slow	1		$\text{V}/\mu\text{s}$
$t_s$	Output settling time	$T_o \pm 0.1 \text{ LSB}$ , $C_L = 100 \text{ pF}$ , $R_L = 10 \text{ k}\Omega$ , See Notes 12 and 14	Fast	2.5	4	$\mu\text{s}$
			Slow	8.5	18	
$t_{s(c)}$	Output settling time, code to code	$T_o \pm 0.1 \text{ LSB}$ , $C_L = 100 \text{ pF}$ , $R_L = 10 \text{ k}\Omega$ , See Notes 13 and 14	Fast	1		$\mu\text{s}$
			Slow	2		
Glitch energy		Code transition from 7F0 to 800		10		nV-sec
SNR	Signal-to-noise ratio	Sinewave generated by DAC, Reference voltage = 1.024 at 3 V and 2.048 at 5 V, $f_s = 400 \text{ KSPS}$ , $f_{OUT} = 1.1 \text{ kHz}$ sinewave, $C_L = 100 \text{ pF}$ , $R_L = 10 \text{ k}\Omega$ , $BW = 20 \text{ kHz}$		57		dB
S/(N+D)	Signal to noise + distortion			49		
THD	Total harmonic distortion			-50		
SFDR	Spurious free dynamic range			60		

- NOTES: 12. Settling time is the time for the output signal to remain within  $\pm 0.1 \text{ LSB}$  of the final measured value for a digital input code change of 0x020 to 0xFF0 or 0xFF0 to 0x020.
13. Settling time is the time for the output signal to remain within  $\pm 0.1 \text{ LSB}$  of the final measured value for a digital input code change of one count.
14. Limits are ensured by design and characterization, but are not production tested.

#### digital input timing requirements

	MIN	NOM	MAX	UNIT
$t_{su}(CS-FS)$ Setup time, $\overline{CS}$ low before $FS\downarrow$	10			ns
$t_{su}(FS-CK)$ Setup time, FS low before first negative SCLK edge	8			ns
$t_{su}(C16-FS)$ Setup time, sixteenth negative SCLK edge after FS low on which bit D0 is sampled before rising edge of FS	10			ns
$t_{su}(C16-CS)$ Setup time. The first positive SCLK edge after D0 is sampled before $\overline{CS}$ rising edge. If FS is used instead of the SCLK positive edge to update the DAC, then the setup time is between the FS rising edge and $\overline{CS}$ rising edge.	10			ns
$t_{wH}$ Pulse duration, SCLK high	25			ns
$t_{wL}$ Pulse duration, SCLK low	25			ns
$t_{su}(D)$ Setup time, data ready before SCLK falling edge	8			ns
$t_h(D)$ Hold time, data held valid after SCLK falling edge	5			ns
$t_{wH}(FS)$ Pulse duration, FS high	20			ns



**TLV5627C, TLV5627I**  
**2.7-V TO 5.5-V 8-BIT 4-CHANNEL DIGITAL-TO-ANALOG CONVERTERS**  
**WITH POWER DOWN**

SLAS232A – JUNE 1999 – REVISED JULY 2002

**PARAMETER MEASUREMENT INFORMATION**

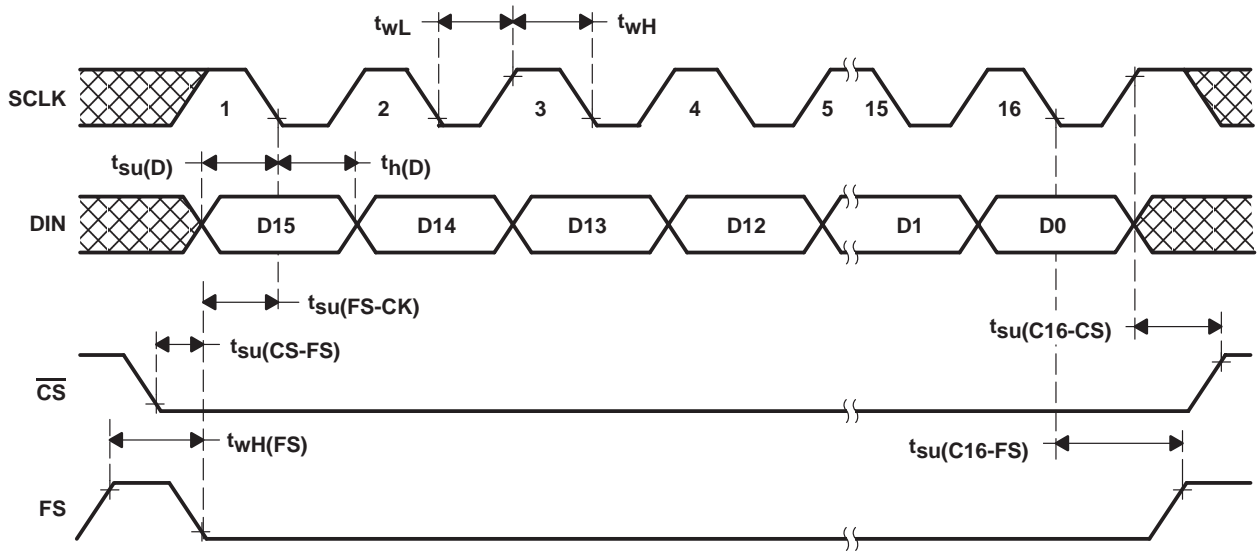


Figure 1. Timing Diagram

# TLV5627C, TLV5627I

## 2.7-V TO 5.5-V 8-BIT 4-CHANNEL DIGITAL-TO-ANALOG CONVERTERS WITH POWER DOWN

SLAS232A – JUNE 1999 – REVISED JULY 2002

### TYPICAL CHARACTERISTICS

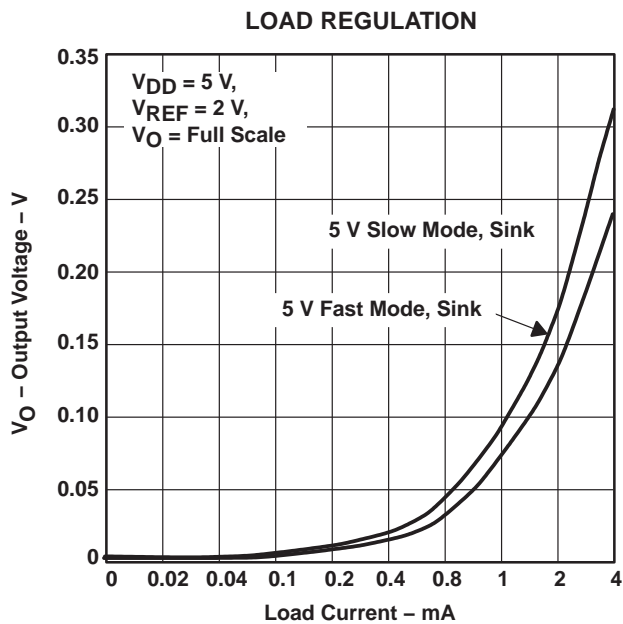


Figure 2

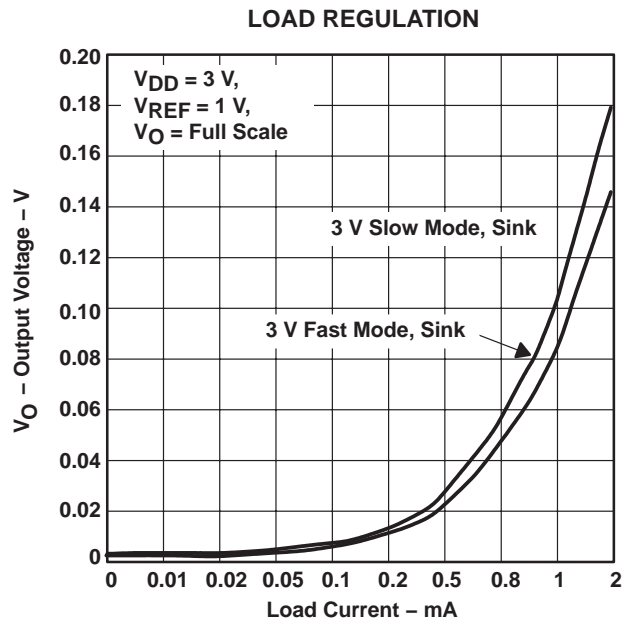


Figure 3

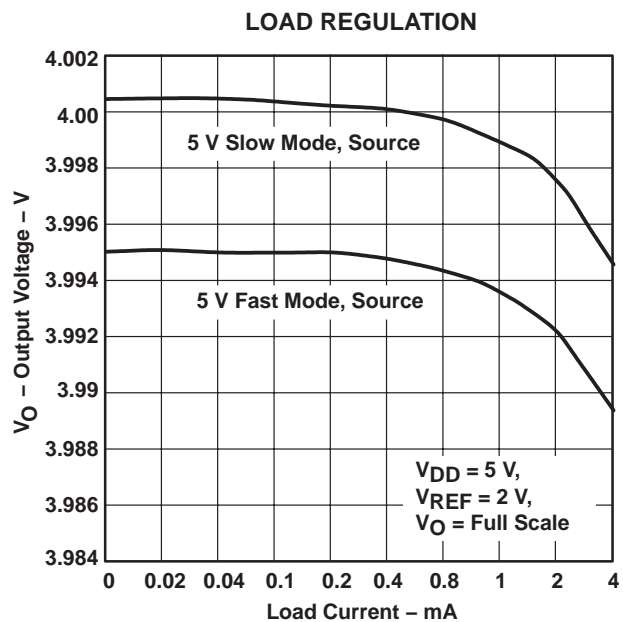


Figure 4

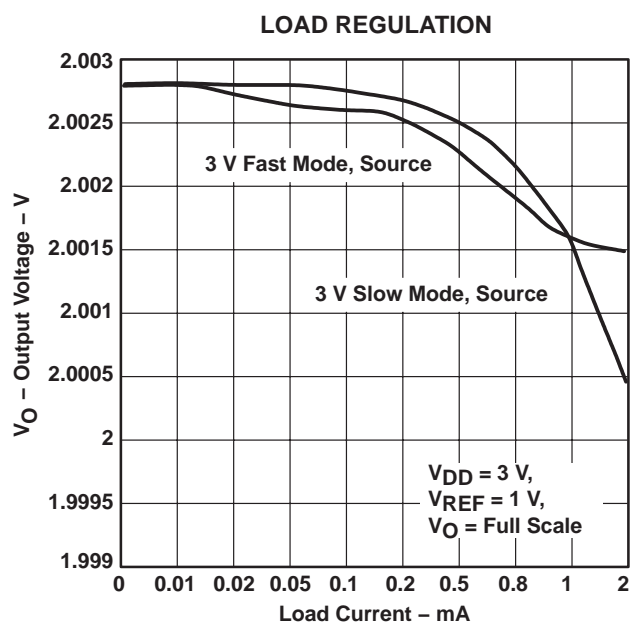


Figure 5



# TLV5627C, TLV5627I

## 2.7-V TO 5.5-V 8-BIT 4-CHANNEL DIGITAL-TO-ANALOG CONVERTERS WITH POWER DOWN

SLAS232A – JUNE 1999 – REVISED JULY 2002

### TYPICAL CHARACTERISTICS

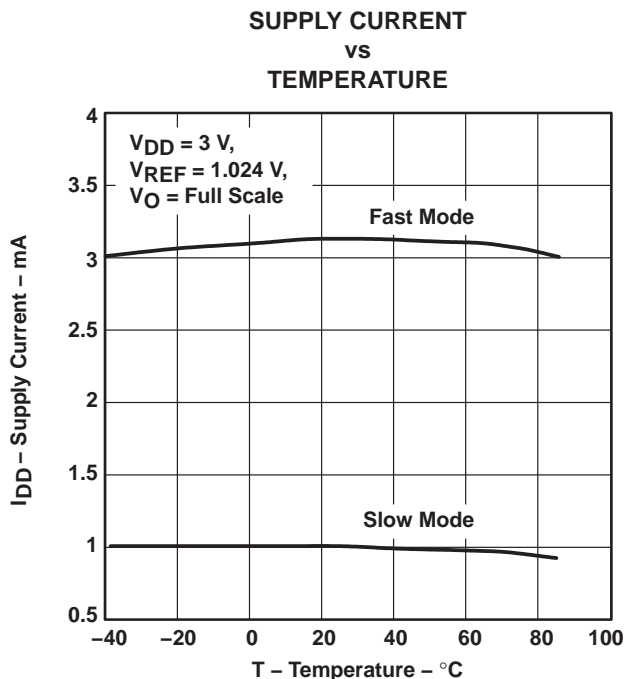


Figure 6

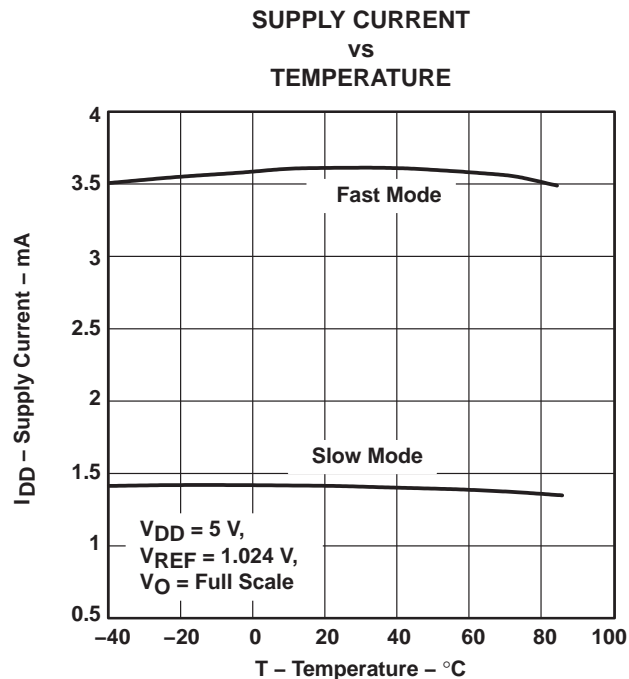


Figure 7

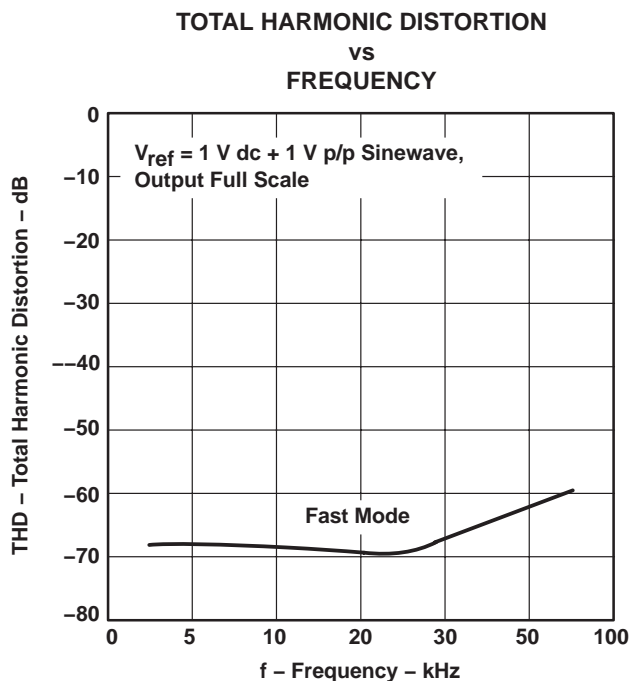


Figure 8

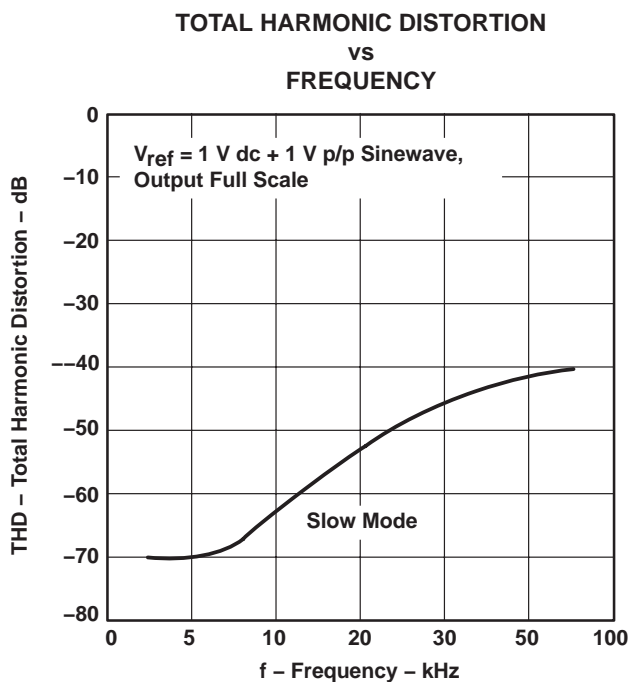


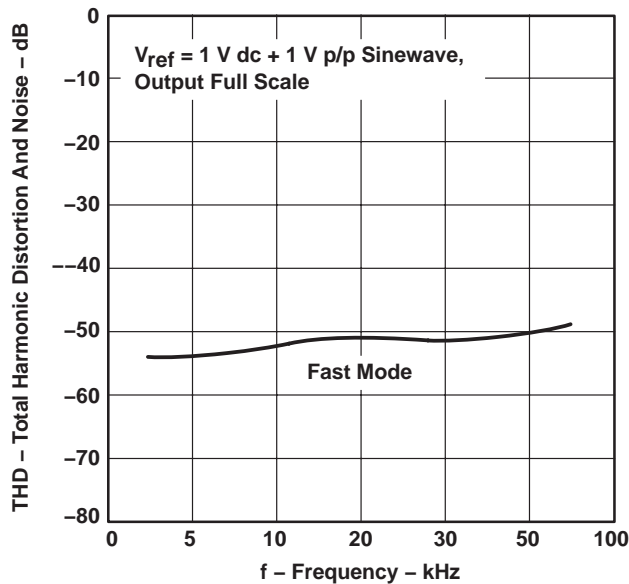
Figure 9

**TLV5627C, TLV5627I**  
**2.7-V TO 5.5-V 8-BIT 4-CHANNEL DIGITAL-TO-ANALOG CONVERTERS**  
**WITH POWER DOWN**

SLAS232A – JUNE 1999 – REVISED JULY 2002

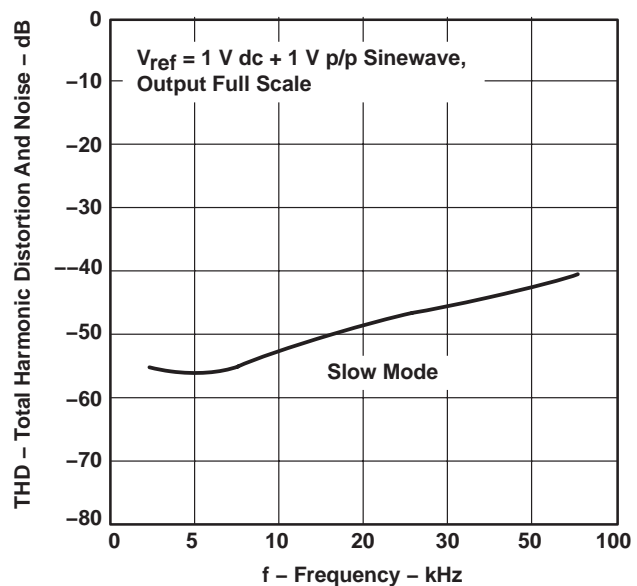
**TYPICAL CHARACTERISTICS**

**TOTAL HARMONIC DISTORTION AND NOISE**  
**VS**  
**FREQUENCY**



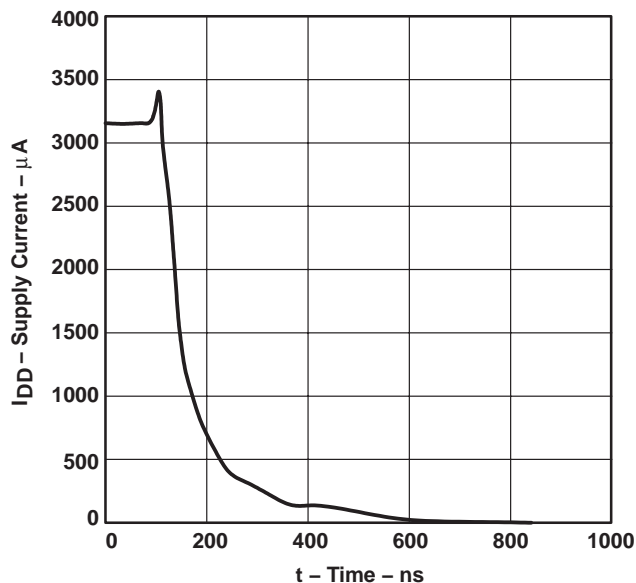
**Figure 10**

**TOTAL HARMONIC DISTORTION AND NOISE**  
**VS**  
**FREQUENCY**



**Figure 11**

**SUPPLY CURRENT**  
**VS**  
**TIME**  
**(WHEN ENTERING POWER-DOWN MODE)**



**Figure 12**

TYPICAL CHARACTERISTICS

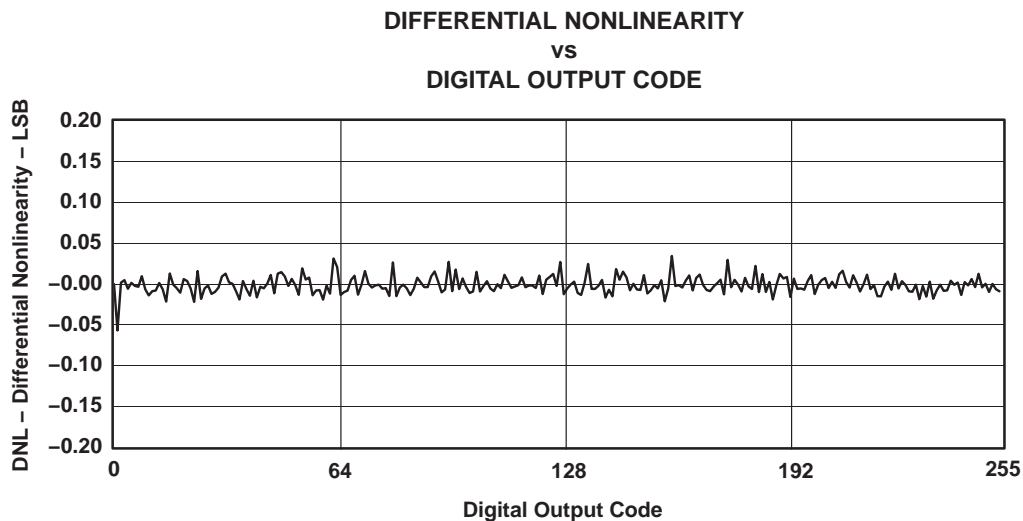


Figure 13

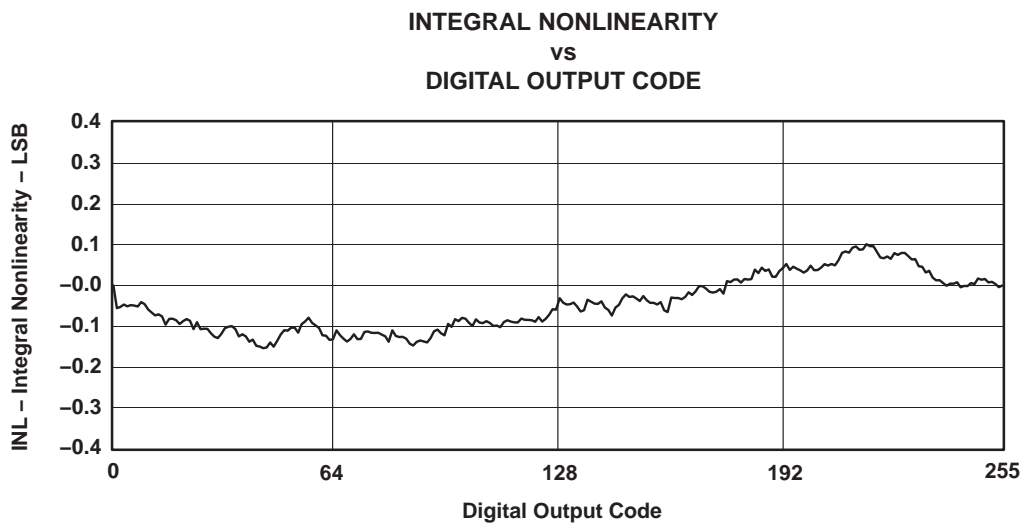


Figure 14

# TLV5627C, TLV5627I

## 2.7-V TO 5.5-V 8-BIT 4-CHANNEL DIGITAL-TO-ANALOG CONVERTERS WITH POWER DOWN

SLAS232A – JUNE 1999 – REVISED JULY 2002

### APPLICATION INFORMATION

#### general function

The TLV5627 is an 8-bit single supply DAC based on a resistor string architecture. The device consists of a serial interface, speed and power-down control logic, a reference input buffer, a resistor string, and a rail-to-rail output buffer.

The output voltage (full scale determined by external reference) is given by:

$$2 \text{ REF} \frac{\text{CODE}}{2^n} \text{ [V]}$$

Where REF is the reference voltage and CODE is the digital input value within the range of  $0_{10}$  to  $2^n-1$ , where  $n=8$  (bits). The 16-bit data word, consisting of control bits and the new DAC value, is illustrated in the *data format* section. A power-on reset initially resets the internal latches to a defined state (all bits zero).

#### serial interface

The device has to be enabled with  $\overline{\text{CS}}$  set to low. A falling edge of FS starts shifting the data bit-per-bit (starting with the MSB) to the internal register on the falling edges of SCLK. After 16 bits have been transferred or FS rises, the content of the shift register is moved to the DAC latch, which updates the voltage output to the new level.

The serial interface of the TLV5627 can be used in two basic modes:

- Four wire (with chip select)
- Three wire (without chip select)

Using chip select (four-wire mode), it is possible to have more than one device connected to the serial port of the data source (DSP or microcontroller). The interface is compatible with the TMS320 family. Figure 15 shows an example with two TLV5627s connected directly to a TMS320 DSP.

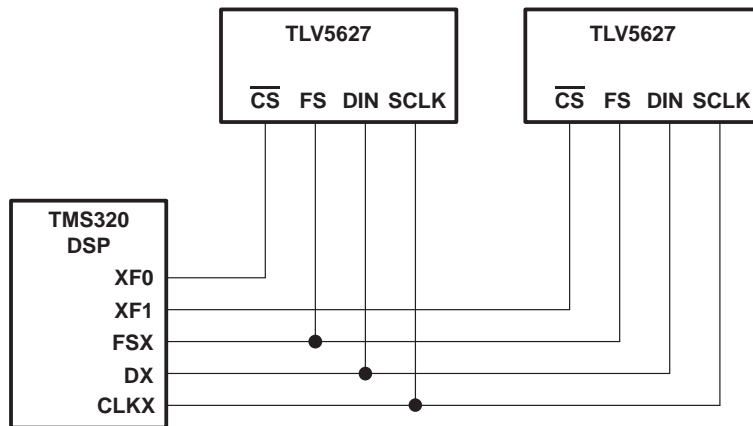
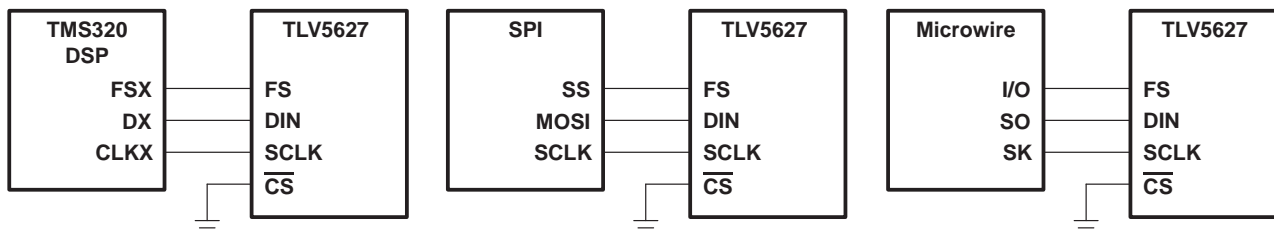


Figure 15. TMS320 Interface

## APPLICATION INFORMATION

### serial interface (continued)

If there is no need to have more than one device on the serial bus, then  $\overline{\text{CS}}$  can be tied low. Figure 16 shows an example of how to connect the TLV5627 to a TMS320, SPI, or Microwire port using only three pins.



**Figure 16. Three-Wire Interface**

Notes on SPI and Microwire: Before the controller starts the data transfer, the software has to generate a falling edge on the I/O pin connected to FS. If the word width is 8 bits (SPI and Microwire), two write operations must be performed to program the TLV5627. After the write operation(s), the DAC output is updated automatically on the next positive clock edge following the sixteenth falling clock edge.

### serial clock frequency and update rate

The maximum serial clock frequency is given by:

$$f_{\text{SCLKmax}} = \frac{1}{t_{\text{wH(min)}} + t_{\text{wL(min)}}} = 20 \text{ MHz}$$

The maximum update rate is:

$$f_{\text{UPDATEmax}} = \frac{1}{16 \left( t_{\text{wH(min)}} + t_{\text{wL(min)}} \right)} = 1.25 \text{ MHz}$$

The maximum update rate is a theoretical value for the serial interface since the settling time of the TLV5627 has to be considered also.

### data format

The 16-bit data word for the TLV5627 consists of two parts:

- Control bits (D15 . . . D12)
- New DAC value (D11 . . . D0)

D15	D14	D13	D12	D11	D10	D9	D8	D7	D6	D5	D4	D3	D2	D1	D0
A1	A0	PWR	SPD	New DAC value (8 bits)								0	0	0	0

SPD: Speed control bit. 1 → fast mode      0 → slow mode  
PWR: Power control bit. 1 → power down    0 → normal operation

# TLV5627C, TLV5627I

## 2.7-V TO 5.5-V 8-BIT 4-CHANNEL DIGITAL-TO-ANALOG CONVERTERS WITH POWER DOWN

SLAS232A – JUNE 1999 – REVISED JULY 2002

### APPLICATION INFORMATION

In power-down mode, all amplifiers within the TLV5627 are disabled. A particular DAC (A, B, C, D) of the TLV5627 is selected by A1 and A0 within the input word.

A1	A0	DAC
0	0	A
0	1	B
1	0	C
1	1	D

### TLV5627 interfaced to TMS320C203 DSP

#### hardware interfacing

Figure 17 shows an example of how to connect the TLV5627 to a TMS320C203 DSP. The serial port is configured in burst mode, with FSX generated by the TMS320C203 to provide the frame sync (FS) input to the TLV5627. Data is transmitted on the DX line, with the serial clock input on the CLKX line. The general-purpose input/output port bits IO0 and IO1 are used to generate the chip select ( $\overline{CS}$ ) and DAC latch update ( $\overline{LDAC}$ ) inputs to the TLV5627. The active low power down ( $\overline{PD}$ ) is pulled high all the time to ensure the DACs are enabled.

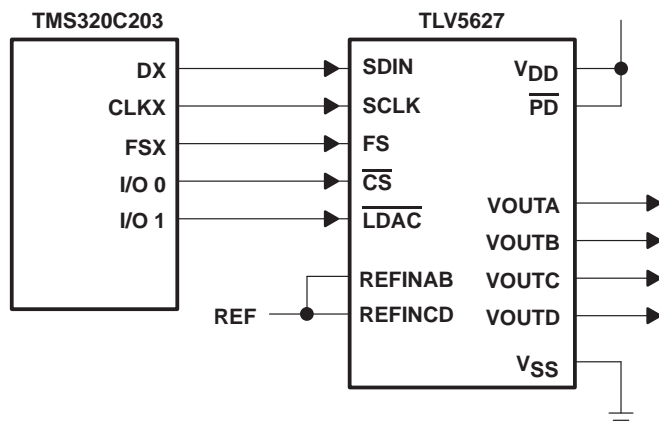


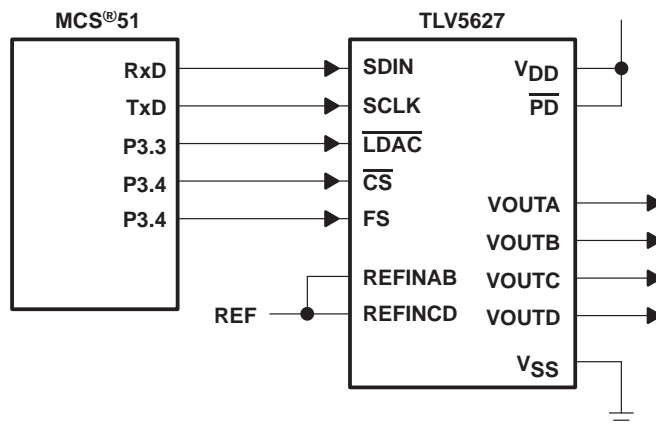
Figure 17. TLV5627 Interfaced with TMS320C203

**APPLICATION INFORMATION**

**TLV5627 interfaced to MCS<sup>®</sup>51 microcontroller**

**hardware interfacing**

Figure 18 shows an example of how to connect the TLV5627 to an MCS<sup>®</sup>51 Microcontroller. The serial DAC input data and external control signals are sent via I/O Port 3 of the controller. The serial data is sent on the RxD line, with the serial clock output on the TxD line. Port 3 bits 3, 4, and 5 are configured as outputs to provide the DAC latch update ( $\overline{\text{LDAC}}$ ), chip select ( $\overline{\text{CS}}$ ) and frame sync (FS) signals for the TLV5627. The active low power down pin ( $\overline{\text{PD}}$ ) of the TLV5627 is pulled high to ensure that the DACs are enabled.



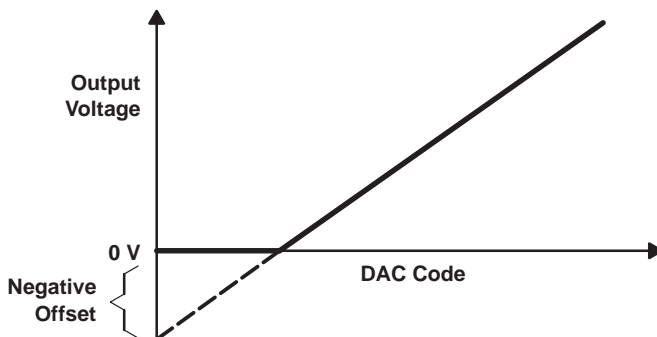
**Figure 18. TLV5627 Interfaced with MCS<sup>®</sup>51**

**linearity, offset, and gain error using single ended supplies**

When an amplifier is operated from a single supply, the voltage offset can still be either positive or negative. With a positive offset, the output voltage changes on the first code change. With a negative offset, the output voltage may not change with the first code, depending on the magnitude of the offset voltage.

The output amplifier attempts to drive the output to a negative voltage. However, because the most negative supply rail is ground, the output cannot drive below ground and clamps the output at 0 V.

The output voltage then remains at zero until the input code value produces a sufficient positive output voltage to overcome the negative offset voltage, resulting in the transfer function shown in Figure 19.



**Figure 19. Effect of Negative Offset (single supply)**

MCS is a registered trademark of Intel Corporation.

# TLV5627C, TLV5627I

## 2.7-V TO 5.5-V 8-BIT 4-CHANNEL DIGITAL-TO-ANALOG CONVERTERS WITH POWER DOWN

SLAS232A – JUNE 1999 – REVISED JULY 2002

### APPLICATION INFORMATION

#### linearity, offset, and gain error using single ended supplies (continued)

The offset error, not the linearity error, produces this breakpoint. The transfer function would have followed the dotted line if the output buffer could drive below the ground rail.

For a DAC, linearity is measured between zero-input code (all inputs 0) and full-scale code (all inputs 1) after offset and full scale are adjusted out or accounted for in some way. However, single supply operation does not allow for adjustment when the offset is negative due to the breakpoint in the transfer function. So the linearity is measured between full-scale code and the lowest code that produces a positive output voltage.

#### power-supply bypassing and ground management

Printed-circuit boards that use separate analog and digital ground planes offer the best system performance. Wire-wrap boards do not perform well and should not be used. The two ground planes should be connected together at the low-impedance power-supply source. The best ground connection may be achieved by connecting the DAC AGND terminal to the system analog ground plane, making sure that analog ground currents are well-managed and there are negligible voltage drops across the ground plane.

A 0.1- $\mu$ F ceramic-capacitor bypass should be connected between  $V_{DD}$  and AGND and mounted with short leads as close as possible to the device. Use of ferrite beads may further isolate the system analog supply from the digital power supply.

Figure 20 shows the ground plane layout and bypassing technique.

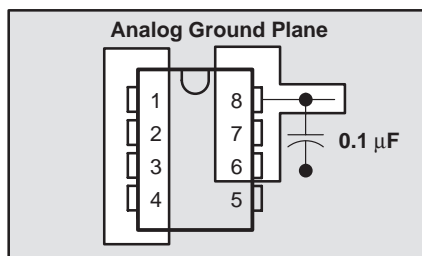


Figure 20. Power-Supply Bypassing



# TLV5627C, TLV5627I 2.7-V TO 5.5-V 8-BIT 4-CHANNEL DIGITAL-TO-ANALOG CONVERTERS WITH POWER DOWN

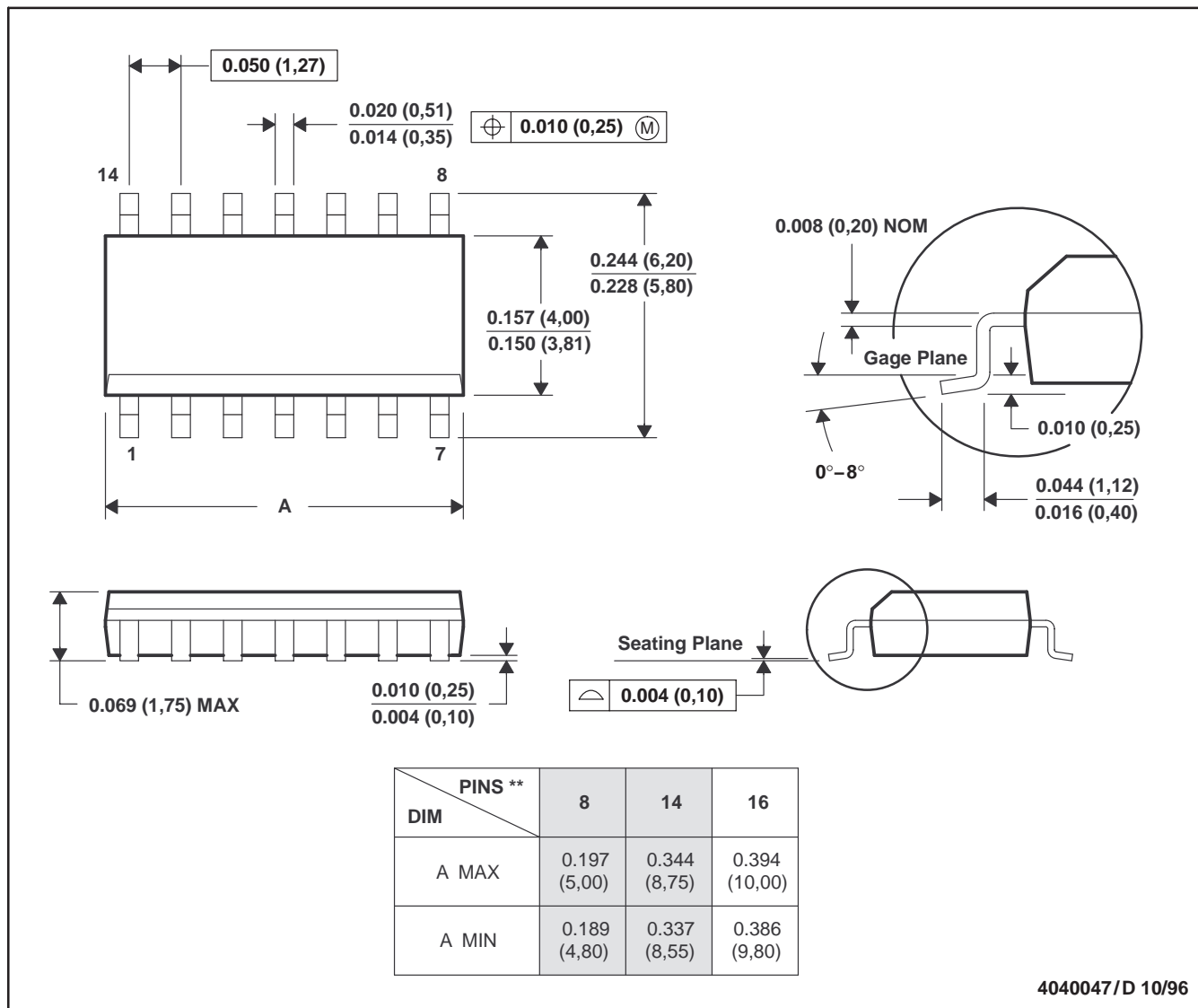
SLAS232A – JUNE 1999 – REVISED JULY 2002

## MECHANICAL DATA

**D (R-PDSO-G\*\*)**

**PLASTIC SMALL-OUTLINE PACKAGE**

14 PIN SHOWN



- NOTES: A. All linear dimensions are in inches (millimeters).  
 B. This drawing is subject to change without notice.  
 C. Body dimensions do not include mold flash or protrusion, not to exceed 0.006 (0,15).  
 D. Falls within JEDEC MS-012

**TLV5627C, TLV5627I**  
**2.7-V TO 5.5-V 8-BIT 4-CHANNEL DIGITAL-TO-ANALOG CONVERTERS**  
**WITH POWER DOWN**

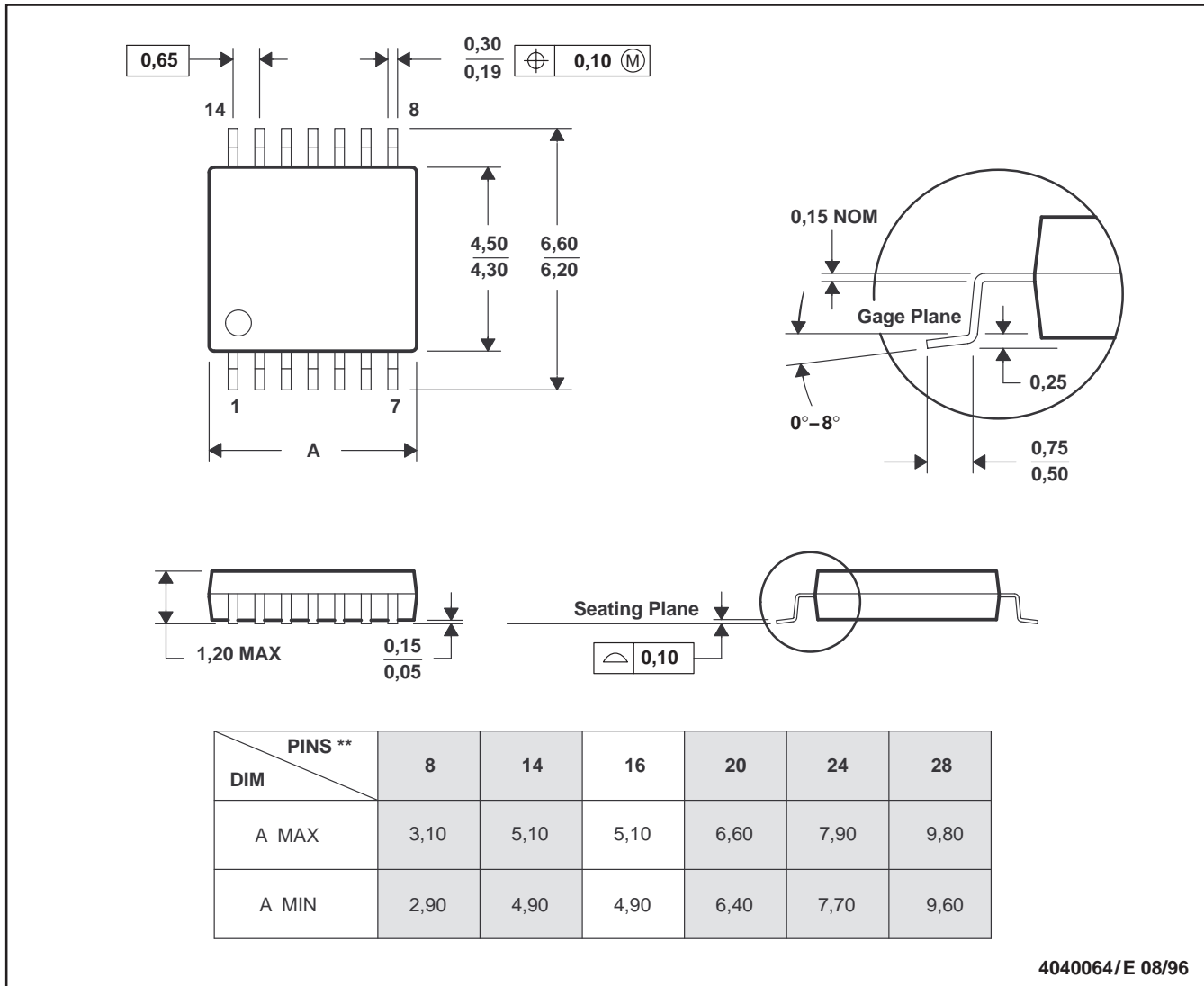
SLAS232A – JUNE 1999 – REVISED JULY 2002

**MECHANICAL DATA**

**PW (R-PDSO-G\*\*)**

**PLASTIC SMALL-OUTLINE PACKAGE**

14 PIN SHOWN



4040064/E 08/96

- NOTES: A. All linear dimensions are in millimeters.  
 B. This drawing is subject to change without notice.  
 C. Body dimensions do not include mold flash or protrusion not to exceed 0,15.  
 D. Falls within JEDEC MO-153

**PACKAGING INFORMATION**

Orderable Device	Status (1)	Package Type	Package Drawing	Pins	Package Qty	Eco Plan (2)	Lead finish/ Ball material (6)	MSL Peak Temp (3)	Op Temp (°C)	Device Marking (4/5)	Samples
TLV5627CD	ACTIVE	SOIC	D	16	40	RoHS & Green	NIPDAU	Level-1-260C-UNLIM	0 to 70	TLV5627C	<a href="#">Samples</a>
TLV5627CDG4	ACTIVE	SOIC	D	16	40	RoHS & Green	NIPDAU	Level-1-260C-UNLIM	0 to 70	TLV5627C	<a href="#">Samples</a>
TLV5627CDR	ACTIVE	SOIC	D	16	2500	RoHS & Green	NIPDAU	Level-1-260C-UNLIM	0 to 70	TLV5627C	<a href="#">Samples</a>
TLV5627CPW	ACTIVE	TSSOP	PW	16	90	RoHS & Green	NIPDAU	Level-1-260C-UNLIM	0 to 70	TV5627	<a href="#">Samples</a>
TLV5627CPWR	ACTIVE	TSSOP	PW	16	2000	RoHS & Green	NIPDAU	Level-1-260C-UNLIM	0 to 70	TV5627	<a href="#">Samples</a>
TLV5627ID	ACTIVE	SOIC	D	16	40	RoHS & Green	NIPDAU	Level-1-260C-UNLIM	-40 to 85	TLV5627I	<a href="#">Samples</a>
TLV5627IPW	ACTIVE	TSSOP	PW	16	90	RoHS & Green	NIPDAU	Level-1-260C-UNLIM	-40 to 85	TY5627	<a href="#">Samples</a>
TLV5627IPWG4	ACTIVE	TSSOP	PW	16	90	RoHS & Green	NIPDAU	Level-1-260C-UNLIM	-40 to 85	TY5627	<a href="#">Samples</a>
TLV5627IPWR	ACTIVE	TSSOP	PW	16	2000	RoHS & Green	NIPDAU	Level-1-260C-UNLIM	-40 to 85	TY5627	<a href="#">Samples</a>

(1) The marketing status values are defined as follows:

**ACTIVE:** Product device recommended for new designs.

**LIFEBUY:** TI has announced that the device will be discontinued, and a lifetime-buy period is in effect.

**NRND:** Not recommended for new designs. Device is in production to support existing customers, but TI does not recommend using this part in a new design.

**PREVIEW:** Device has been announced but is not in production. Samples may or may not be available.

**OBSOLETE:** TI has discontinued the production of the device.

(2) **RoHS:** TI defines "RoHS" to mean semiconductor products that are compliant with the current EU RoHS requirements for all 10 RoHS substances, including the requirement that RoHS substance do not exceed 0.1% by weight in homogeneous materials. Where designed to be soldered at high temperatures, "RoHS" products are suitable for use in specified lead-free processes. TI may reference these types of products as "Pb-Free".

**RoHS Exempt:** TI defines "RoHS Exempt" to mean products that contain lead but are compliant with EU RoHS pursuant to a specific EU RoHS exemption.

**Green:** TI defines "Green" to mean the content of Chlorine (Cl) and Bromine (Br) based flame retardants meet JS709B low halogen requirements of <=1000ppm threshold. Antimony trioxide based flame retardants must also meet the <=1000ppm threshold requirement.

(3) MSL, Peak Temp. - The Moisture Sensitivity Level rating according to the JEDEC industry standard classifications, and peak solder temperature.

(4) There may be additional marking, which relates to the logo, the lot trace code information, or the environmental category on the device.

<sup>(5)</sup> Multiple Device Markings will be inside parentheses. Only one Device Marking contained in parentheses and separated by a "~" will appear on a device. If a line is indented then it is a continuation of the previous line and the two combined represent the entire Device Marking for that device.

<sup>(6)</sup> Lead finish/Ball material - Orderable Devices may have multiple material finish options. Finish options are separated by a vertical ruled line. Lead finish/Ball material values may wrap to two lines if the finish value exceeds the maximum column width.

**Important Information and Disclaimer:**The information provided on this page represents TI's knowledge and belief as of the date that it is provided. TI bases its knowledge and belief on information provided by third parties, and makes no representation or warranty as to the accuracy of such information. Efforts are underway to better integrate information from third parties. TI has taken and continues to take reasonable steps to provide representative and accurate information but may not have conducted destructive testing or chemical analysis on incoming materials and chemicals. TI and TI suppliers consider certain information to be proprietary, and thus CAS numbers and other limited information may not be available for release.

In no event shall TI's liability arising out of such information exceed the total purchase price of the TI part(s) at issue in this document sold by TI to Customer on an annual basis.

**TAPE AND REEL INFORMATION**

**QUADRANT ASSIGNMENTS FOR PIN 1 ORIENTATION IN TAPE**


\*All dimensions are nominal

Device	Package Type	Package Drawing	Pins	SPQ	Reel Diameter (mm)	Reel Width W1 (mm)	A0 (mm)	B0 (mm)	K0 (mm)	P1 (mm)	W (mm)	Pin1 Quadrant
TLV5627CDR	SOIC	D	16	2500	330.0	16.4	6.5	10.3	2.1	8.0	16.0	Q1
TLV5627CPWR	TSSOP	PW	16	2000	330.0	12.4	6.9	5.6	1.6	8.0	12.0	Q1
TLV5627IPWR	TSSOP	PW	16	2000	330.0	12.4	6.9	5.6	1.6	8.0	12.0	Q1

**TAPE AND REEL BOX DIMENSIONS**


\*All dimensions are nominal

Device	Package Type	Package Drawing	Pins	SPQ	Length (mm)	Width (mm)	Height (mm)
TLV5627CDR	SOIC	D	16	2500	350.0	350.0	43.0
TLV5627CPWR	TSSOP	PW	16	2000	350.0	350.0	43.0
TLV5627IPWR	TSSOP	PW	16	2000	350.0	350.0	43.0

**TUBE**


\*All dimensions are nominal

Device	Package Name	Package Type	Pins	SPQ	L (mm)	W (mm)	T (μm)	B (mm)
TLV5627CD	D	SOIC	16	40	505.46	6.76	3810	4
TLV5627CDG4	D	SOIC	16	40	505.46	6.76	3810	4
TLV5627CPW	PW	TSSOP	16	90	530	10.2	3600	3.5
TLV5627ID	D	SOIC	16	40	505.46	6.76	3810	4
TLV5627IPW	PW	TSSOP	16	90	530	10.2	3600	3.5
TLV5627IPWG4	PW	TSSOP	16	90	530	10.2	3600	3.5

## IMPORTANT NOTICE AND DISCLAIMER

TI PROVIDES TECHNICAL AND RELIABILITY DATA (INCLUDING DATA SHEETS), DESIGN RESOURCES (INCLUDING REFERENCE DESIGNS), APPLICATION OR OTHER DESIGN ADVICE, WEB TOOLS, SAFETY INFORMATION, AND OTHER RESOURCES "AS IS" AND WITH ALL FAULTS, AND DISCLAIMS ALL WARRANTIES, EXPRESS AND IMPLIED, INCLUDING WITHOUT LIMITATION ANY IMPLIED WARRANTIES OF MERCHANTABILITY, FITNESS FOR A PARTICULAR PURPOSE OR NON-INFRINGEMENT OF THIRD PARTY INTELLECTUAL PROPERTY RIGHTS.

These resources are intended for skilled developers designing with TI products. You are solely responsible for (1) selecting the appropriate TI products for your application, (2) designing, validating and testing your application, and (3) ensuring your application meets applicable standards, and any other safety, security, regulatory or other requirements.

These resources are subject to change without notice. TI grants you permission to use these resources only for development of an application that uses the TI products described in the resource. Other reproduction and display of these resources is prohibited. No license is granted to any other TI intellectual property right or to any third party intellectual property right. TI disclaims responsibility for, and you will fully indemnify TI and its representatives against, any claims, damages, costs, losses, and liabilities arising out of your use of these resources.

TI's products are provided subject to [TI's Terms of Sale](#) or other applicable terms available either on [ti.com](https://www.ti.com) or provided in conjunction with such TI products. TI's provision of these resources does not expand or otherwise alter TI's applicable warranties or warranty disclaimers for TI products.

TI objects to and rejects any additional or different terms you may have proposed.

Mailing Address: Texas Instruments, Post Office Box 655303, Dallas, Texas 75265  
Copyright © 2023, Texas Instruments Incorporated