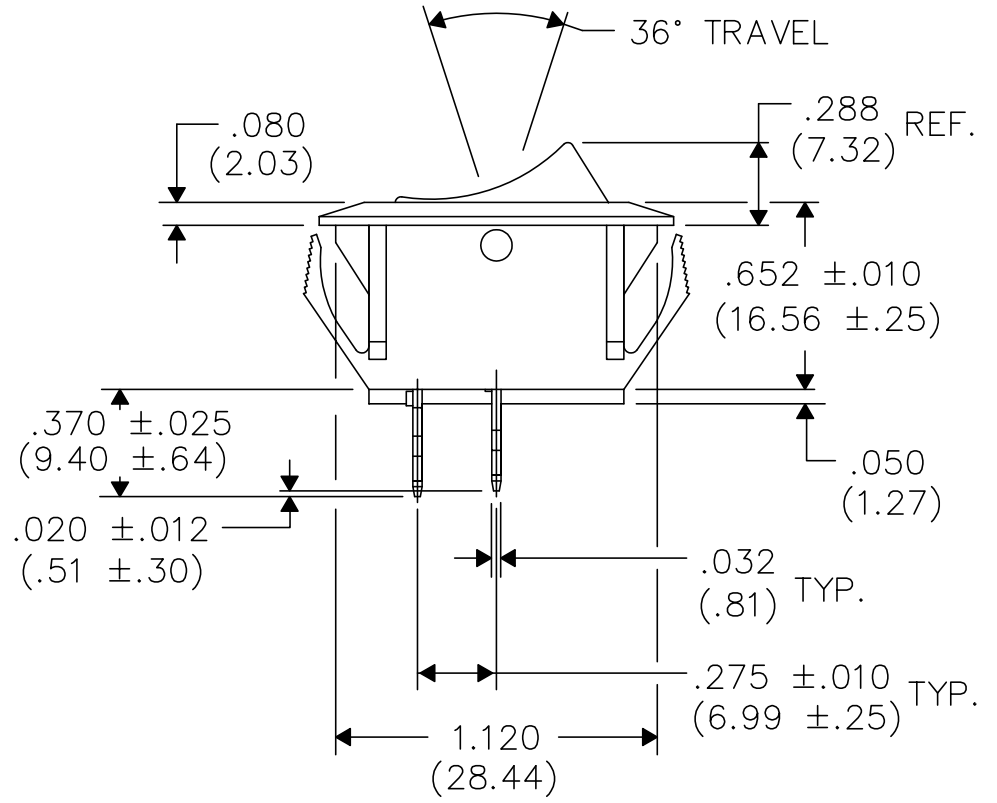
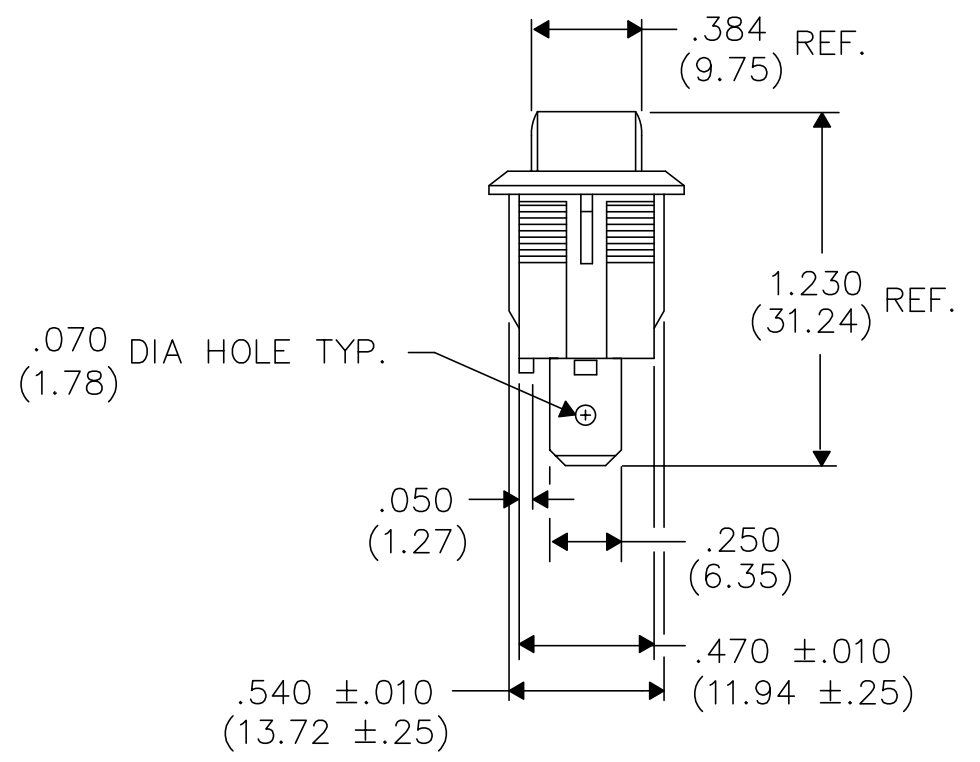
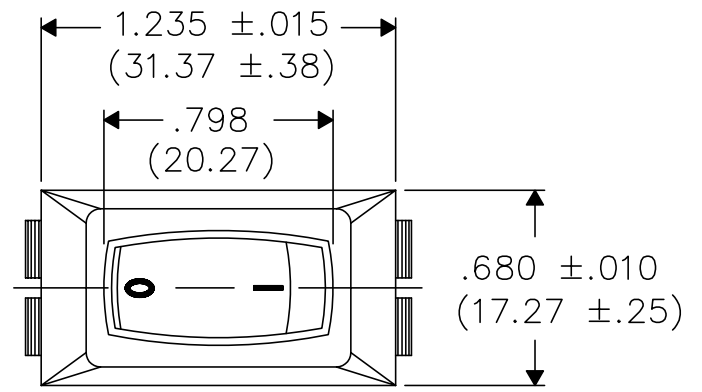
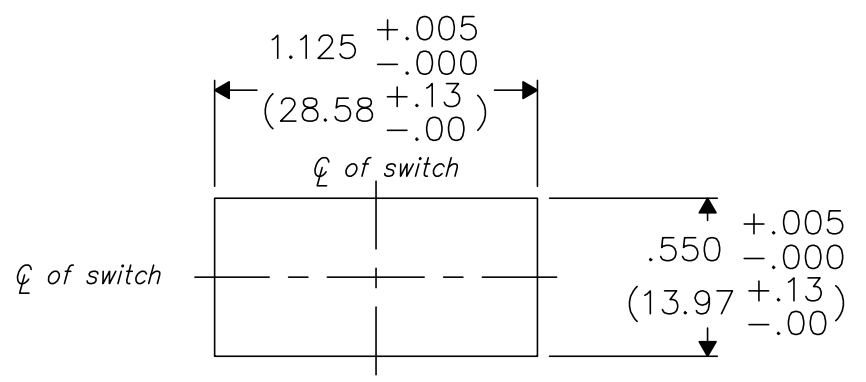


PANEL PIERCING



FORM-B4

REVISIONS

0
RELEASED. DGW 8-02-94 RBK 8-05-94

**CW** INDUSTRIES  
Southampton, Pa. 18966

TOLERANCES UNLESS OTHERWISE SPECIFIED	
2 Place Decimal $\pm$ .010	METRIC
3 Place Decimal $\pm$ .005	1 Place Dec. $\pm$ .25mm
Angles ..... $\pm$ 1°	2 Place Dec. $\pm$ .13mm

Made for: CW IND.
Drawn by: DGW 8-02-94
Checked by: GG 8-03-94
Approval: RBK 8-04-94

Title: ASSEMBLY DRAWING  
S.P.S.T. ROCKER SWITCH  
NON-POLARIZED  
1.125"X .550" PANEL

Division: SWITCH
Dwg. No. GRS-2011-2080

PDF File Made

# Mouser Electronics

Authorized Distributor

Click to View Pricing, Inventory, Delivery & Lifecycle Information:

[CW Industries:](#)

[GRS-2011-2080](#)